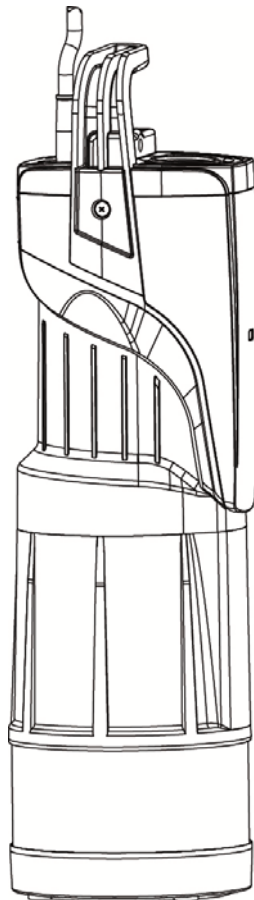
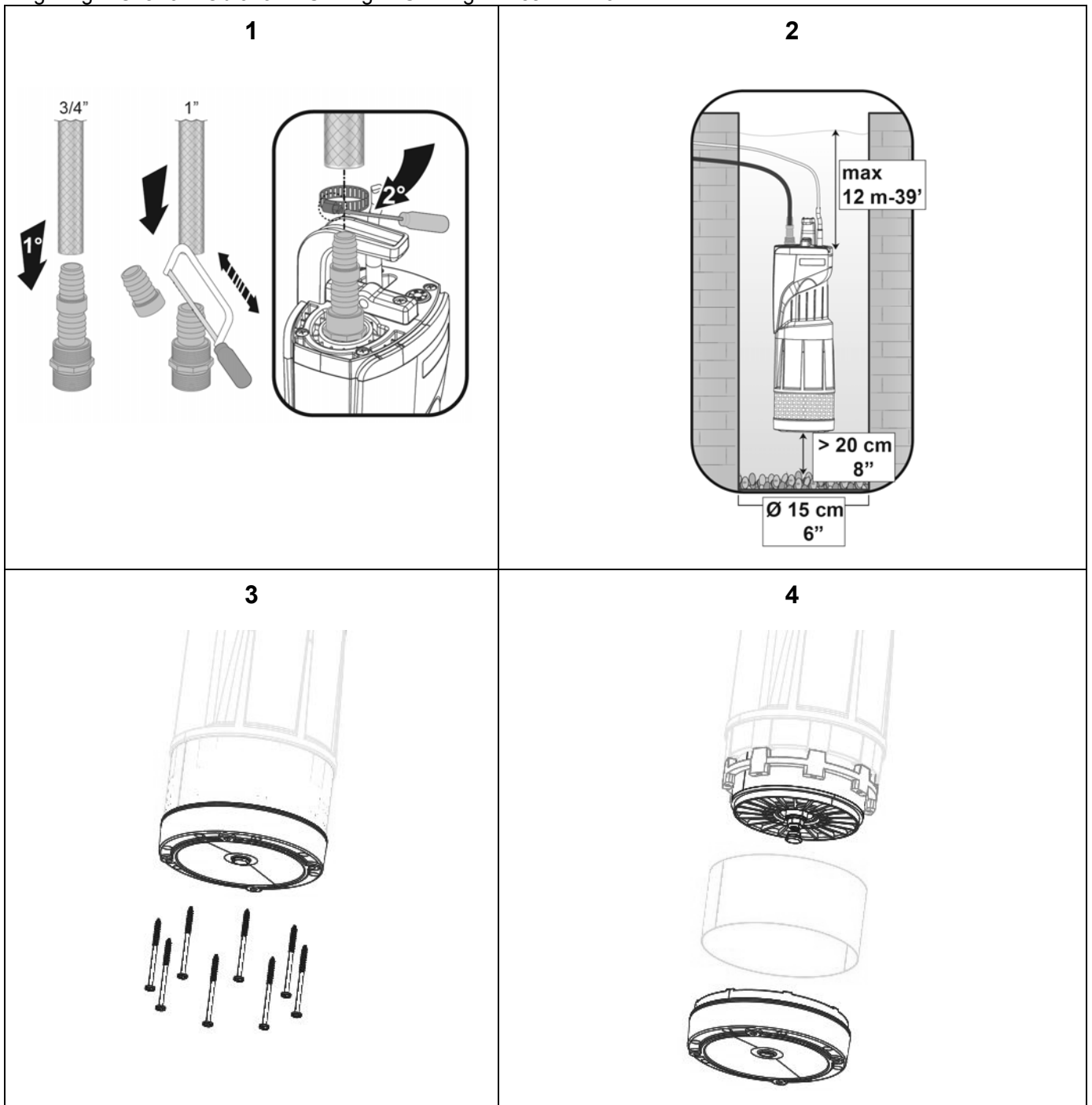

INSTRUCTIONS FOR INSTALLATION AND MAINTENANCE (GB)
ISTRUZIONI PER L'INSTALLAZIONE E LA MANUTENZIONE (IT)
INSTALLATIONS- UND WARTUNGSANLEITUNGEN (DE)
INSTRUCTIONS POUR L'INSTALLATION ET LA MAINTENANCE (FR)
INSTRUCCIONES DE INSTALACIÓN Y MANTENIMIENTO (ES)
ИНСТРУКЦИЯ ЗА ИНСТАЛИРАНЕ И ОБСЛУЖВАНЕ (BG)
NÁVOD K INSTALACI A ÚDRŽBĚ (CZ)
BRUGSANVISNING (DK)
ΟΔΗΓΙΕΣ ΓΙΑ ΤΗΝ ΕΓΚΑΤΑΣΤΑΣΗ ΚΑΙ ΤΗ ΣΥΝΤΗΡΗΣΗ (GR)
KASUTUS- JA HOOLDUSJUHEND (EE)
ASENNUS- JA HUOLTO-OHJEET (FI)
PRIRUČNIK S UPUTAMA (HR)
INSTALLÁCIÓS ÉS KARBANTARTÁSI KÉZIKÖNYV (HU)
MONTAVIMO IR TECHNINĖS PRIEŽIŪROS INSTRUKCIJOS (LT)
UZSTĀDĪŠANAS UN TEHNISKĀS APKOPES ROKASGRĀMATA (LV)
INSTRUCTIES VOOR INSTALLATIE EN ONDERHOUD (NL)
ANVISNINGER FOR INSTALLASJON OG VEDLIKEHOLD (NO)
INSTRUKCJA MONTAŻU I KONSERWACJI (PL)
INSTRUÇÕES PARA A INSTALAÇÃO (PT)
INSTRUCȚIUNI PENTRU INSTALARE ȘI ÎNTREȚINERE (RO)
ИНСТРУКЦИИ ПО МОНТАЖУ И ТЕХОБСЛУЖИВАНИЮ (RU)
POKYNY K INŠTALÁCII A ÚDRŽBE (SK)
NAVODILA ZA INŠTALACIJO IN VZDRŽEVANJE (SI)
UDHËZIME PËR INSTALIMIN E MIRËMBAJTJEN (AL)
UPUTSTVO ZA INSTALACIJU I ODRŽAVANJE (RS)
INSTALLATIONS- OCH UNDERHÅLLSANVISNINGV(SE)
KURMA VE BAKIM BİLGİLERİ (TR)
ІНСТРУКЦІЇ ЗІ ВСТАНОВЛЕННЯ ТА ТЕХНІЧНОГО ОБСЛУГОВУВАННЯ (UA)

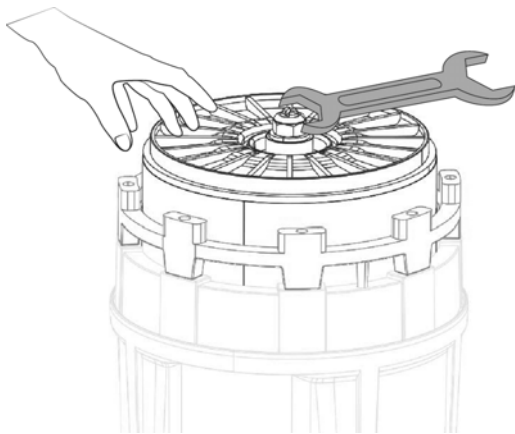


ENGLISH	Pag.	1
ITALIANO	Pag.	5
DEUTSCH	Seite	9
FRANÇAIS	Page	13
ESPAÑOL	Pág.	17
БЪЛГАРСКИ	Стр.	21
ČESKY	strana	25
DANSK	side	29
ΕΛΛΗΝΙΚΑ	Σελ.	33
EESTI	Lk.	37
SUOMI	sivu	41
HRVATSKI	stranica	45
MAGYAR	Oldal	49
LIETUVIŲ	psl.	53
LATVIEŠŪ	lpp.	57
NEDERLANDS	Pag.	61
NORSK	Pag.	65
POLSKI	strona	69
PORTUGUÊS	pag	73
ROMÂNĂ	pag	77
РУССКИЙ	Стр.	81
SLOVENSKO	Str.	85
SLOVENŠČINA	Str.	89
SHQIP	Pag.	93
SRPSKI	Str	97
SVENSKA	Sid.	101
TÜRKÇE	sf.	105
УКРАЇНСЬКА	стор.	109

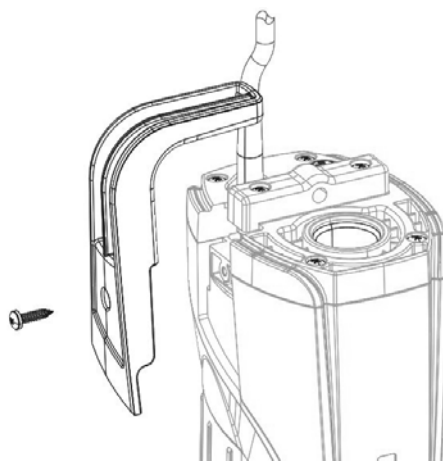
Fig - Fig. - Abb.- Fig.- Fig.- Фиг.- Obr.- Fig.- Екк. - Joonis - Kuva - Sl. - .ábra - Fig. - att. - Afbeelding - Fig. - Rys.-
Fig.- Fig. - Схема – Obrázok – Sl.- Fig. – Sl. - Fig. – Resim - Мал.



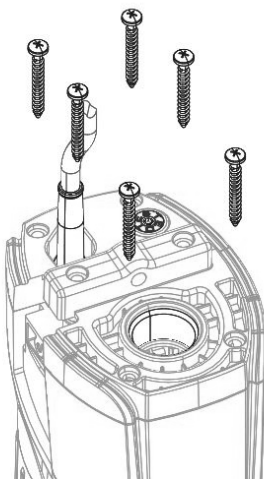
5



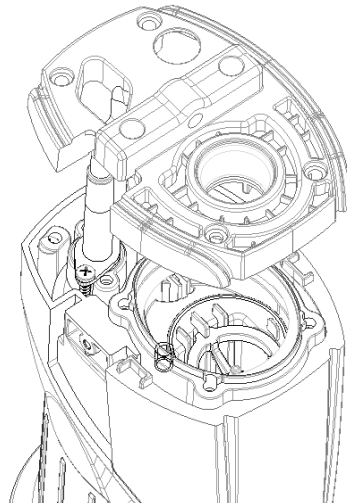
6



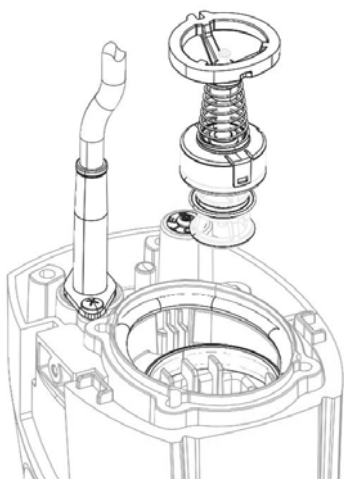
7



8



9



INDEX

1. APPLICATIONS	1
2. PUMPABLE LIQUIDS	1
3. TECHNICAL DATA AND LIMITATIONS OF USE	1
4. MANAGEMENT	2
4.1 Storage.....	2
4.2 Transport.....	2
4.3 Weight and dimensions.....	2
5. WARNINGS	2
6. INSTALLATION	2
7. ELECTRICAL CONNECTION	3
8. START-UP	3
9. PRECAUTIONS	3
10. MAINTENANCE AND CLEANING	3
10.1 Cleaning the suction filter	4
10.2 Cleaning the impeller.....	4
10.3 Cleaning the NRV.....	4
11. TROUBLESHOOTING	4
12. GUARANTEE	4

WARNINGS



Read all this documentation carefully before installation:



Take out the plug before any intervention. Absolutely avoid dry operation: the pump must be activated exclusively when it is immersed in water. If the water is finished, the pump must be deactivated immediately, taking the plug out of the socket.



The pump is equipped with a thermal overload safety device. In the event of any overheating of the motor, this device automatically switches off the pump. The cooling time is roughly 15 to 20 minutes, then the pump automatically comes on again. If the overload cutout is tripped, it is essential to identify and deal with the cause of the overheating. See Troubleshooting.

1. APPLICATIONS

Multistage submerged pump with integrated electronics, ideal for use in rainwater systems and irrigation networks, for pumping water from tanks, cisterns and lakes and for other domestic applications requiring high pressure.

Thanks to their compact and handy shape, they are also used for particular applications as portable pumps for emergency situations such as for drawing water from tanks or rivers, draining swimming pools and fountains. Also suitable for gardening and general hobby activity.



These pumps cannot be used in swimming pools, ponds or basins where people are present, or for pumping hydrocarbons (petrol, diesel fuel, combustible oils, solvents, etc.) in accordance with the acci-dent-prevention regulations in force. They should be cleaned before putting them away. See the chapter "Maintenance and Cleaning".

2. PUMPABLE LIQUIDS

Fresh water	•
Rainwater	•
Clear waste water	○
Dirty water	○
Fountain water	•
River or lake water	•
Max. particle dimension [mm]	Ø 1

Table1

- Suitable
- Not suitable

3. TECHNICAL DATA AND LIMITATIONS OF USE

- **Supply voltage:** 220-240V, see electrical data plate
- **Delayed line fuses (220-240V version):** indicative values (Ampere)
- **Storage temperature:** -10°C +40°C

Model	Line fuses 220-240V 50Hz
P1=900	4
P1=1100	5

Table 2

	Model	P1=900	P1=1100
Electrical data	P1 Rated absorbed power [W]	900	1100
	P2 [W]	650	750
	Mains voltage [V]	220-240V	220-240V
	Mains frequency [Hz]	50	50
	Current [A]	3.8	4.8
	Capacitor [μ F]	12.5	12.5
	Capacitor [Vc]	450	450
Hydraulic data	Max. flow rate [l/min]	95	95
	Max. head [m]	36	46
	Max. head [bar]	3.6	4.6
	Max. immersion depth [m]	12	12
	Min. submersion height [cm]	12	12
	Cut in pressure [bar]	2.6+- 0.2	2.6+- 0.2
Range of use	Length of power cable [m]	15	15
	Type of cable	H07 RNF	H07 RNF
	Grade of motor protection	IP 68	IP 68
	Insulation class	B	B
	Liquid temperature range [$^{\circ}$ C] according to EN 60335-2-41 for domestic use	0 $^{\circ}$ C / +35 $^{\circ}$ C	0 $^{\circ}$ C / +35 $^{\circ}$ C
	Max. particle dimension [mm]	\varnothing 1	\varnothing 1
	Max. ambient temperature [$^{\circ}$ C]	+40 $^{\circ}$ C	+40 $^{\circ}$ C
Weight	DNM GAS	1" F	1" F
	Net/Gross weight approx. [kg]	10.8 / 12.8	10 / 12

Table 3



The pump which does not stand on a base cannot support the weight of the pipes, which must be supported in some other way.

4. MANAGEMENT

4.1 Storage

All the pumps must be stored in a dry covered place, with possible constant air humidity, free from vibrations and dust. They are supplied in their original pack in which they must remain until the time of installation.

4.2 Transport

Avoid subjecting the products to needless impacts and collisions.

4.3 Weight and dimensions

The adhesive plate on the packaging indicates the total weight of the pump and its dimensions.

5. WARNINGS



The pumps must never be carried, lifted or allowed to operate suspended from the power cable; use the handle and cord provided.

- The pump must never be allowed to run when dry.
- The sealing device contains lubricant which is non-toxic but which may alter the characteristics of the water, in the case of pure water, if the pump were to have any leaks.

6. INSTALLATION

Screw on the nipple with coupling supplied in the packaging, which is suitable for pipes with dimensions $\frac{3}{4}$ " and 1"; if you want to use a pipe with a larger diameter, change the coupling. Use a pipe tightening clamp to secure the pipe to the fitting Fig.1

- It is advisable to use pipes having a minimum internal diameter of $\frac{3}{4}$ " mm, to avoid the decrease of pump performance.
- To avoid obstruction of the suction passages, it is recommended to check periodically that no dirt has accumulated in the collection cistern (leaves, sand, etc.). It is advisable to leave a minimum distance of 20 cm to avoid clogging of the suction grid (Fig.2).
- Insert the plug in a socket, main power must be 230V.
- the pump must be activated only if immersed in water. Consider a minimum submersion of 12 cm. If the water is finished the pump must be stopped immediately, taking the plug out of the socket.
- The pump must be placed in a stable position inside a collection cistern or in the lowest part of the place where it is installed.

- Ensure that the minimum dimensions of the collection cistern in which it is housed are as follows:
Min. base dimensions (mm) 150x150 / Min. height (mm) 800 Fig 2
- The dimensions of the cistern must always be in relation to the quantity of water arriving and to the flow of the pump, so as not to subject the motor to excessive starts/hour; it is strongly recommended not to exceed 20 starts/hour.



The pump must be installed in vertical position!

7. ELECTRICAL CONNECTION



The length of the power cable on the pump limits the maximum depth of immersion in use of the pump. Follow the indications on the technical data plate and in this manual, table 3.

8. START-UP

The electronics automatically control starting and stopping (ON/OFF) of the pump depending on the request for water by the user.

The electronics protects the pump against dry running conditions:

- Priming cycle: When started, the pump will perform the following operation until it is primed: four priming trials of 30" (motor ON) with pauses of 3" (motor OFF). If there is no water, i.e. if the priming trials fail, the pump will stop for an hour before trying to prime again. If also this trial fails, there will be a 5 hours pause. Afterwards, if the lack of water persists, the pump will try to prime every 24 hours until it has picked up a prime.
- Normal Operation: If, during the pumps operation, the water supply is inferior to the minimum delivery for more than 40", the pump will go into alarm, and start a priming cycle. In this case the priming trials are made after 1, 5, and 24 hours until the pump picks up a prime.

The electronic unit also protects the pump from damages that could be caused by the blocking of the Not Return Valve (NRV). Such blockings are generally due to dirt deposits, or sand and they cause the pump to operate also if there is no water demand from the end-user. The protection function stops the pump automatically every hour; if no damage is detected the pump re-starts immediately. If the VNR is blocked the pump goes into alarm and stops. In this case the pump can be re-started only after unplugging the pump and removing the obstruction to the VNR.

Flow control:

The flow control deactivates the pump if no water is drawn. If there are leaks on the pressure side (e.g. water tap or hose not watertight), the pump starts and stops at short intervals. If the pump starts and stops more than 7 times in 2 minutes (in case of a leak < 6 l/h), it will switch off completely. Once the leak on the pressure side has been eliminated, switch the pump off and on so that it can be used again.

The best working condition is with the pump be completely submersed in water.

Anyway the motor's cooling system allows the use at the minimum suction height for very short periods.

The pump is equipped with a stainless steel anti-deposit filter.

9. PRECAUTIONS

RISK OF FROST: when the pump remains inactive at a temperature lower than 0°C, it is necessary to ensure that there is no water residue which could freeze, causing cracks in the plastic parts.

If the pump has been used with substances that tend to form a deposit, or with water containing chlorine, rinse it after use with a powerful jet of water in order to avoid the formation of deposits or encrustations which would reduce the characteristics of the pump.

10. MAINTENANCE AND CLEANING

In normal operation the pump does not require any type of maintenance. In any case, all repair and maintenance work must be carried out only after having disconnected the pump from the supply mains. When restarting the pump, ensure that the suction filter is always fitted so as not to create the risk or possibility of accidental contact with moving parts.

10.1 Cleaning the suction filter

- Switch off the electric power supply to the pump.
- Drain the pump.
- Clean with a jet of water and a brush

10.2 Cleaning the impeller

- Switch off the electric power supply to the pump.
- Drain the pump.
- Unscrew the 8 retaining screws on the base of the filter fig.3.
- Remove the base and the filter fig.4
- Holding the impeller, unscrew the nut fig.5
- Take out the impeller, the diffuser, the ring and the O-ring.
- Repeat for all the impellers
- Wash the pump with clean water to remove possible impurities between the motor and the pump jacket.
- Clean the impeller.
- Check that the impeller can turn freely.
- Assemble the parts, proceeding in inverse order to disassembly.

10.3 Cleaning the NRV

(Fig.6)

- Switch off the electric power supply to the pump.
 - Remove the handle, unscrewing the two retaining screws fig.6
 - Unscrew the 6 screws on the delivery cover fig.7
 - Take out the delivery cover and the sand filter fig.8
 - Remove the check valve and clean it to remove any dirt fig.9
- Assemble the parts, proceeding in inverse order to disassembly.

11. TROUBLESHOOTING



Before taking any troubleshooting action, disconnect the pump from the power supply (i.e. remove the plug from the socket). If there is any damage to the power cable or pump, any necessary repairs or replacements must be performed by the manufacturer or his authorized customer support service, or by an equally-qualified party, in order to prevent all risks.

Fault	Possible Cause	Solutions
The pumps does not start	A. The motor is not powered B. The VNR is blocked (pump in alarm mode) C. There is no water (pumps in alarm mode)	A. Check the power supply. B. Clean the valve C. Check the water level
The pump delivers no water	A. The suction grid or piping are clogged B. The impeller is worn or stuck. C. The head required is higher than the pump's characteristics.	A. Remove the obstruction. B. Replace the impeller or remove the obstruction.
The flow rate is too low	A. The suction grid is partially blocked. B. The impeller or delivery pipe are partially blocked or encrusted.	A. Remove any obstruction. B. Remove any obstruction.
The pump stops running (possible intervention of the thermal overload switch).	A. The liquid to be pumped is too dense and overheats the motor. B. The water temperature is too high. C. A solid object is blocking the impeller. D. Power supply doesn't comply with the nameplate's the data.	A.B.C.D. Disconnect the power cord, correct the reason for overheating; then wait until the pump is cooled plug the cord and resume operation.

12. GUARANTEE



Any modification made without prior authorisation relieves the manufacturer of all responsibility. All the spare parts used in repairs must be authentic and all accessories must be authorised by the manufacturer, in order to ensure maximum safety of the machines and of the systems in which they may be installed.

This product is covered by a legal guarantee (in the European Community for 24 months from date of purchase) against all defects that can be assigned to manufacturing faults or to the material used.

The product under guarantee may, at discretion, either be replaced with one in perfect working order or replaced free of charge if the following conditions are observed:

- the product has been used correctly in compliance with the instructions and not attempt has been made to repair it by the buyer or by third parties.
- the product has been consigned to the outlet where it was purchased, attaching a document as proof of purchase (invoice or cash register receipt) and a brief description of the problem found.

The impeller and parts subject to wear are not covered by the guarantee. Intervention under guarantee does not extend the initial guarantee period in any way.

INDICE

1. APPLICAZIONI	5
2. LIQUIDI POMPABILI.....	5
3. DATI TECNICI E LIMITAZIONI D'USO	5
4. GESTIONE	6
4.1 Immagazzinaggio	6
4.2 Trasporto	6
4.3 Peso e dimensioni.....	6
5. AVVERTENZE.....	6
6. INSTALLAZIONE.....	6
7. ALLACCIAMENTO ELETTRICO.....	7
8. AVVIAMENTO.....	7
9. PRECAUZIONI.....	7
10. MANUTENZIONE E PULIZIA	7
10.1 Pulizia del filtro di aspirazione	8
10.2 Pulizia della girante	8
10.3 Pulizia della NRV.....	8
11. RICERCA GUASTI.....	8
12. GARANZIA.....	8

AVVERTENZE



Prima di procedere all'installazione leggere attentamente tutta la documentazione:



Prima di ogni intervento staccare la spina. Evitare nel modo più assoluto il funzionamento a secco.



Protezione da sovraccarico. La pompa è dotata di un salvamotore termico. In caso di eventuale surriscaldamento del motore, il salvamotore spegne la pompa automaticamente. Il tempo di raffreddamento è di circa 15-20 min. dopo di che la pompa si riaccende automaticamente. Dopo l'intervento del salvamotore è assolutamente necessario ricercarne la causa ed eliminarla. Consultate Ricerca Guasti.

1. APPLICAZIONI

Pompa sommersa multistadio con elettronica integrata ideale per l'impiego in sistemi di acqua piovana e reti di irrigazione, per pompare acqua da serbatoi, cisterne, laghetti e per altre applicazioni domestiche che richiedono un'elevata pressione.

Grazie alla forma compatta e maneggevole trovano anche particolari applicazioni come pompe portatili per casi di emergenza quali, prelievo d'acqua da serbatoi o fiumi, svuotamento di piscine e fontane. Idonea anche per giardinaggio ed hobbistica in genere.



Queste pompe non possono essere utilizzate in piscine, stagni, bacini con presenza di persone, e o per il pompaggio di idrocarburi (benzina, gasolio, oli combustibili, solventi, ecc.) secondo le norme antinfortunistiche vigenti in materia. Prima di riporle sarebbe buona norma prevedere una fase di pulizia. Vedi capitolo "Manutenzione e Pulizia".

2. LIQUIDI POMPABILI

Acque fresche	•
Acqua piovana	•
Acque chiare di rifiuto	○
Acque sporche	○
Acqua di fontana	•
Acqua di fiume o lago	•
Dimensione delle particelle max. [mm]	Ø 1

- Adatto
- Non adatto

Tabella1

3. DATI TECNICI E LIMITAZIONI D'USO

- Tensione di alimentazione: **220-240V**, vedi targhetta dati elettrici
- Fusibili di linea ritardati (versione **220-240V**): valori indicativi (Ampere)
- Temperatura di magazzinaggio: -10°C +40°C

Modello	Fusibili di linea 220-240V 50Hz
P1=900	4
P1=1100	5

Tabella2

	Modello	P1=900	P1=1100
Dati Elettrici	P1 Potenza assorbita Nominale [W]	900	1100
	P2 [W]	650	750
	Voltaggio di rete [V]	220-240V	220-240V
	Frequenza di rete [Hz]	50	50
	Corrente [A]	3.8	4.8
	Condensatore [μ F]	12.5	12.5
	Condensatore [Vc]	450	450
Dati Idraulici	Portata max. [l/min]	95	95
	Prevalenza max. [m]	36	46
	Prevalenza max. [bar]	3.6	4.6
	Max. profondita' immersione [m]	12	12
	Min. altezza si sommergenza [cm]	12	12
	Pressione di accensione [bar]	2.6+ 0.2	2.6+ 0.2
Campo d'impiego	Lungh. Cavo alimentazione [m]	15	15
	Tipo cavo	H07 RNF	H07 RNF
	Grado di protezione	IP 68	IP 68
	Classe d'isolamento	B	B
	Campo temperatura del liquido [$^{\circ}$ C] secondo EN 60335-2-41 per uso domestico	0 $^{\circ}$ C / +35 $^{\circ}$ C	0 $^{\circ}$ C / +35 $^{\circ}$ C
	Dimensione delle particelle max. [mm]	\varnothing 1	\varnothing 1
	Max. Temperatura ambiente [$^{\circ}$ C]	+40 $^{\circ}$ C	+40 $^{\circ}$ C
Peso	DNM GAS	1" F	1" F
	Peso Netto/Lordo ca. [kg]	10.8 / 12.8	10 / 12

Tabella 3



La pompa che non appoggia su una base non può sorreggere il peso delle tubazioni il quale dev'essere sostenuto diversamente.

4. GESTIONE

4.1 Immagazzinaggio

Tutte le pompe devono essere immagazzinate in luogo coperto, asciutto e con umidità dell'aria possibilmente costante, privo di vibrazioni e polveri. Vengono fornite nel loro imballo originale nel quale devono rimanere fino al momento dell'installazione.

4.2 Trasporto

Evitare di sottoporre i prodotti ad inutili urti e collisioni.

4.3 Peso e dimensioni

La targhetta adesiva posta sull'imballo riporta l'indicazione del peso totale dell'elettropompa e delle sue dimensioni.

5. AVVERTENZE



Le pompe non devono mai essere trasportate, sollevate o fatte funzionare sospese facendo uso del cavo di alimentazione, utilizzare l'apposita maniglia e la corda fornita in dotazione.

- La pompa non deve mai essere fatta funzionare a secco.
- Il dispositivo di tenuta contiene del lubrificante atossico ma che può alterare le caratteristiche dell'acqua, nel caso si tratti di acqua pura, se la pompa dovesse avere delle perdite.

6. INSTALLAZIONE

Avvitare il nipplo con attacco presente nell'imballo, il quale e' adatto per tubazioni di dimensioni $\frac{3}{4}$ " e 1" nel caso si volesse utilizzare una tubazione con diametro superiore sostituire il raccordo. Utilizzare una fascetta stringitubo per fissare il tubo all'attacco. Fig.1

- È consigliabile l'uso di tubazioni aventi diametro interno minimo di $\frac{3}{4}$ " mm, per evitare la diminuzione delle prestazioni della pompa.
- Per evitare l'ostruzione dei passaggi di aspirazione, si consiglia di verificare periodicamente che nella cisterna di raccolta non si sia accumulato sporco (foglie, sabbia, ecc.). è opportuno prevedere una distanza minima di 20 cm al fine di evitare intasamenti alla griglia di aspirazione (Fig.2).
- Inserire la spina del cavo di alimentazione in una presa di corrente a 230 V.
- La pompa deve essere azionata solo se immersa nell'acqua. Considerare una sommergenza minima di 12 cm. Se l'acqua si esaurisce la pompa dev'essere fermata immediatamente scollegando la presa elettrica.

- La pompa deve essere situata in una posizione stabile all'interno della cisterna di raccolta o comunque nel punto più basso del locale di installazione.
- Prevedere che la cisterna di raccolta abbia dimensioni minime come valori seguenti:
Dimensioni base min. (mm) 150x150 / Altezza min. (mm) 800 Fig 2
- La cisterna dovrà sempre essere dimensionata anche in relazione alla quantità d'acqua in arrivo ed alla portata della pompa in modo da non sottoporre il motore ad eccessivi avviamenti/ora, e' strettamente consigliato non superare i 20 avviamenti/ora.



La pompa deve essere installata in posizione verticale!

7. ALLACCIAMENTO ELETTRICO



La lunghezza del cavo di alimentazione presente sulla pompa limita la profondità massima di immersione nell'utilizzo della pompa stessa. Attenersi alle indicazioni riportate in targhetta tecnica e in questo manuale tabella 3.

8. AVVIAMENTO

L'elettronica comanda automaticamente l'accensione e lo spegnimento (ON/OFF) della pompa in funzione della richiesta d'acqua da parte dell'utilizzatore.

L'elettronica protegge l'applicazione dal funzionamento a secco.

- Fase di adescamento: in fase di adescamento, la pompa esegue quattro tentativi di 30" (motore ON) intervallati da pause di 3" (motore OFF). Nel caso manchi l'acqua, la pompa si ferma per un'ora e quindi fa un nuovo tentativo d'adescamento. Se tale tentativo fallisce, la pausa diventa di 5 ore, quindi l'applicazione ripete il tentativo di adescamento ogni 24 ore fino a quando il livello dell'acqua non diventi sufficiente per consentire il normale funzionamento.
- Normale Funzionamento: se, durante il funzionamento, per 40" il consumo dell'acqua è inferiore alla portata minima, la pompa va in allarme e si ferma per 1 ora. Dopodiché, se il livello dell'acqua rimane insufficiente, la pompa entra in fase di adescamento.

L'elettronica protegge la pompa dai guasti alla Valvola di Non Ritorno (NRV), generalmente causati da incrostazioni di sporco o di sabbia. Le incrostazioni impediscono alla NRV di chiudersi, quindi l'applicazione continua a funzionare anche in mancanza di acqua. Nel nostro caso, la pompa viene spenta automaticamente ogni ora; se tutto è normale, l'utente nota solo un leggerissimo calo di pressione della durata di pochi secondi. Se invece la NRV è bloccata, la pompa va in allarme e può essere rimessa in funzione solo dopo aver rimosso le cause dell'ostruzione.

Controllo portata:

Il controllo di portata disattiva la pompa in caso di mancato prelievo di acqua. Se sussistono perdite sul lato della pressione (es. rubinetto dell'acqua o tubo flessibile non a tenuta), la pompa si accende e si spegne a brevi intervalli di tempo. Se la pompa si accende e si spegne più di 7 volte in 2 minuti (in caso di perdita < 6 l/h), questa si spegnerà completamente. Una volta eliminata la perdita sul lato della pressione, disinserire e reinserire la pompa affinché sia possibile utilizzarla nuovamente.

La situazione ideale di lavoro è con la pompa completamente sommersa; tuttavia il sistema di raffreddamento del motore ne consente, per brevi periodi, l'utilizzo fino all'altezza minima di aspirazione (50 mm).

La pompa è dotata di un filtro anti-detriti in acciaio inossidabile.

9. PRECAUZIONI

PERICOLO DI GELO: quando la pompa rimane inattiva a temperatura inferiore a 0°C, è necessario assicurarsi che non ci siano residui d'acqua che ghiacciando possano creare incrinature delle parti plastiche.

Se la pompa è stata utilizzata con sostanze che tendono a depositarsi, o con acqua clorata risciacquare dopo l'uso, con un potente getto d'acqua in modo da evitare il formarsi di depositi od incrostazioni che tenderebbero a ridurre le caratteristiche della pompa.

10. MANUTENZIONE E PULIZIA

L'elettropompa nel funzionamento normale non richiede alcun tipo di manutenzione. In ogni caso tutti gli interventi di riparazione e manutenzione si devono effettuare solo dopo aver scollegato la pompa dalla rete di alimentazione. Quando si fa ripartire la pompa, assicurarsi che sia sempre montato il filtro di aspirazione in modo da non creare pericolo o possibilità di contatto casuale con le parti in movimento.

10.1 Pulizia del filtro di aspirazione

- Disinserire l'alimentazione elettrica della pompa.
- Far drenare la pompa
- Pulire con getto d'acqua ed una spazzola

10.2 Pulizia della girante

- Disinserire l'alimentazione elettrica della pompa.
- Far drenare la pompa
- Svitare le 8 viti di fissaggio sulla base del filtro fig.3.
- Rimuovere la base e il filtro fig.4
- Tenendo la girante svitare il dado fig.5
- Estrarre la girante, il diffusore, l'anello e l'o-ring.
- Ripetere per tutte le giranti
- Lavare la pompa con acqua pulita per rimuovere possibili impurità fra il motore e la camicia della pompa.
- Pulire la girante.
- Verificare che la girante possa ruotare liberamente.
- Assemblare le parti in senso opposto alla sequenza di smontaggio

10.3 Pulizia della NRV

(Fig.6)

- Disinserire l'alimentazione elettrica della pompa.
 - Rimuovere la maniglia svitando le due viti di fissaggio fig 6
 - Svitare le 6 viti sul coperchio di mandata fig.7
 - Estrarre il coperchio di mandata e il filtro antisabbia fig.8
 - Togliere la valvola di ritegno e pulirla da eventuale sporcizia fig.9
- Assemblare le parti in senso opposto alla sequenza di smontaggio

11. RICERCA GUASTI



Prima di iniziare la ricerca guasti è necessario interrompere il collegamento elettrico della pompa (togliere la spina dalla presa). Se il cavo di alimentazione o la pompa in qualsiasi sua parte elettrica è danneggiata l'intervento di riparazione o sostituzione deve essere eseguito dal Costruttore o dal suo servizio di assistenza tecnica o da una persona con qualifica equivalente in modo da prevenire ogni rischio.

Guasti	Cause	Rimedi
La pompa non si accende	A. La pompa non è alimentata B. VNR bloccata in posizione aperta C. Mancanza di acqua	A. Verificare alimentazione. B. Pulire la VNR C. Ripristinare il livello dell'acqua
La pompa non eroga acqua	A. La griglia di aspirazione o le tubazioni sono ostruite. B. La girante è usurata o bloccata. C. La prevalenza richiesta è superiore alle caratteristiche della pompa.	A. Rimuovere le ostruzioni B. Sostituire la girante o rimuovere il blocco.
La portata è insufficiente	A. La griglia di aspirazione è parzialmente ostruita. B. La girante o il tubo di mandata sono parzialmente ostruiti od incrostati.	A. Rimuovere eventuali ostruzioni. B. Rimuovere eventuali ostruzioni.
La pompa si arresta (possibile intervento dell'interruttore termico di sicurezza).	A. Il liquido da pompare è troppo denso e surriscalda il motore. B. La temperatura dell'acqua è troppo elevata. C. Un corpo solido blocca la girante. D. Alimentazione non conforme ai dati di targa.	A.B.C.D. Disinserire la spina e rimuovere la causa che ha provocato il surriscaldamento, attendere il raffreddamento della pompa e reinserire la spina.

12. GARANZIA



Qualsiasi modifica non autorizzata preventivamente, solleva il costruttore da ogni tipo di responsabilità. Tutti i pezzi di ricambio utilizzati nelle riparazioni devono essere originali e tutti gli accessori devono essere autorizzati dal costruttore, in modo da poter garantire la massima sicurezza delle macchine e degli impianti su cui queste possono essere montate.

Questo prodotto è coperto da garanzia legale (nella Comunità Europea per 24 mesi a partire dalla data di acquisto) relativamente a tutti i difetti imputabili a vizi di fabbricazione o di materiale impiegato. Il prodotto in garanzia potrà essere, a discrezione, o sostituito con uno in perfetto stato di funzionamento o riparato gratuitamente qualora vengano osservate le seguenti condizioni:

- il prodotto sia stato adoperato in modo corretto e conforme alle istruzioni e nessun tentativo di riparazione sia stato eseguito dall'acquirente o da terzi.
- il prodotto sia stato consegnato nel punto vendita di acquisto, allegando il documento che attesta l'acquisto (fattura o scontrino fiscale) e una breve descrizione del problema riscontrato.

La girante e le parti soggette a usura, non rientrano nella garanzia. L'intervento in garanzia non estende in nessun caso il periodo iniziale.

INHALT

1. ANWENDUNGEN	9
2. PUMPBARE FLÜSSIGKEITEN	9
3. TECHNISCHE DATEN UND EINSCHRÄNKUNGEN	10
4. HANDHABUNG	10
4.1 Lagerung	10
4.2 Transport.....	10
4.3 Gewicht und Abmessungen	10
5. HINWEISE	10
6. INSTALLATION	11
7. ELEKTROANSCHLUSS	11
8. EINSCHALTEN	11
9. VORSICHTSMASSNAHMEN	12
10. WARTUNG UND REINIGUNG	12
10.1 Reinigung des Ansaugfilters.....	12
10.2 Reinigung des Laufrads	12
10.3 Reinigung des Rückschlagventils.....	12
11. STÖRUNGSSUCHE	12
12. GARANTIE	13

HINWEISE



Vor der Installation müssen sämtliche Unterlagen sorgfältig gelesen werden:



Vor jeder Arbeit am Gerät den Netzstecker ziehen. Ein Trockenlauf der Pumpe ist unbedingt zu vermeiden.



Überlastschutz. Die Pumpe verfügt über einen Motorschutzschalter. Bei einer eventuellen Überhitzung des Motors schaltet der Motorschutz die Pumpe automatisch aus. Nach einer Abkühlzeit von zirka 15-20 Minuten läuft die Pumpe automatisch wieder an. Nach Auslösen des Motorschutzschalters muss unbedingt nach der Ursache gesucht und diese beseitigt werden. Siehe Kapitel „Fehlersuche“.

1. ANWENDUNGEN

Mehrstufige Tauchpumpe mit integrierter Elektronik, die sich ideal für den Einsatz in Regenwasser- und Bewässerungsanlagen eignet, um Wasser aus Tanks, Zisternen und Teichen zu pumpen, sowie für alle anderen Anwendungen im Haushalt, die hohen Druck erfordern.

Dank ihrer kompakten, handlichen Form wird dieser Pumpentyp auch als tragbare Pumpe für Notfälle eingesetzt, wie zum Beispiel zur Wasserentnahme aus Tanks oder Gewässern, zum Entleeren von Schwimmbecken und Springbrunnen. Die Pumpe ist auch für allerlei Anwendungen in Haus und Garten geeignet.



Gemäß der einschlägigen Unfallschutzvorschriften dürfen diese Pumpen nicht in Schwimmbecken, Teichen, Wasserbecken eingesetzt werden, in denen sich Personen aufhalten, und auch nicht zum Pumpen von Kohlenwasserstoffen (Benzin, Gasölen, Heizölen, Lösemittel, usw.). Vor dem erneuten Einlagern muss das Gerät gereinigt werden. Siehe Kapitel „Wartung und Reinigung“.

2. PUMPBARE FLÜSSIGKEITEN

Frischwasser	•
Regenwasser	•
Klares Abwasser	○
Schmutzwasser	○
Brunnenwasser	•
Wasser aus Flüssen und Seen	•
Max. Abmessung der Partikel [mm]	Ø 1

Tabelle 1

- Geeignet
- Nicht geeignet

3. TECHNISCHE DATEN UND EINSCHRÄNKUNGEN

- **Versorgungsspannung: 220-240V**, siehe Schild der elektrischen Daten
- **Träger Schmelzsicherungen (Version 220-240V):** hinweisende Werte (Ampere)
- **Lagertemperatur: -10°C +40°C**

Modell	Schmelzsicherungen 220-240V 50Hz
P1=900	4
P1=1100	5

Tabelle 2

	Modell	P1=900	P1=1100
Elektrische Daten	P1 Nominale Leistungsaufnahme [W]	900	1100
	P2 [W]	650	750
	Netzspannung [V]	220-240V	220-240V
	Netzfrequenz [Hz]	50	50
	Strom [A]	3.8	4.8
	Kondensator [μ F]	12.5	12.5
	Kondensator [VC]	450	450
Hydraulikdaten	Max. Fördermenge [l/min]	95	95
	Max. Förderhöhe [m]	36	46
	Max. Förderhöhe [bar]	3.6	4.6
	Max. Tauchtiefe [m]	12	12
	Min. Einhängtiefe [cm]	12	12
	Anlaufdruck [bar]	2.6+- 0.2	2.6+- 0.2
Anwendungsgebiet	Länge Stromkabel [m]	15	15
	Kabeltyp	H07 RNF	H07 RNF
	Schutzgrad	IP 68	IP 68
	Isolierklasse	B	B
	Temperaturbereich des Fördermediums [°C] gemäß EN 60335-2-41 für den Hausgebrauch	0 °C / +35 °C	0 °C / +35 °C
	Max. Abmessung der Partikel [mm]	Ø 1	Ø 1
	Max. Umgebungstemperatur [°C]	+40 °C	+40 °C
Gewicht	DNM GAS	1" F	1" F
	Netto-/Bruttogewicht ca. [kg]	10.8 / 12.8	10 / 12

Tabelle 3



Wenn die Pumpe nicht auf einem Unterbau aufliegt, kann sie das Gewicht der Rohre nicht tragen, die in einem solchen Fall auf andere Weise abgestützt werden müssen.

4. HANDHABUNG

4.1 Lagerung

Alle Pumpen müssen an einem überdachten, trockenen, staub- und vibrationsfreien Ort mit möglichst konstanter Luftfeuchtigkeit gelagert werden. Sie werden in ihrer Originalverpackung geliefert, in der sie bis zum Augenblick der Installation bleiben müssen.

4.2 Transport

Unnötige Schlägeinwirkungen und Kollisionen vermeiden.

4.3 Gewicht und Abmessungen

Dem Klebeetikett auf der Verpackung kann das Gesamtgewicht und die Größe der Elektropumpe entnommen werden.

5. HINWEISE



Pumpen dürfen nie am Stromkabel hängend gezogen, gehoben oder betrieben werden. Den speziellen Griff und das mitgelieferte Seil verwenden.

- Die Pumpe darf niemals trocken laufen.
- Die Dichtung enthält Schmiermittel, das zwar ungiftig ist, aber trotzdem reines Wasser verseuchen kann, wenn die Pumpe leckt.

6. INSTALLATION

Den in der Verpackung enthaltenen Nippel mit Anschluss einschrauben, der für 3/4" und 1" Schläuche geeignet ist; falls Schläuche mit einem größeren Durchmesser verwendet werden sollen, muss ein anderes Anschlussstück benutzt werden. Den Schlauch mit einer Rohrschelle am Anschluss befestigen. Abb.1

- Es empfiehlt sich, Schläuche mit einem Innendurchmesser von mindestens 3/4" zu verwenden, weil sonst die Pumpenleistung abnimmt.
- Um die Verstopfung der Ansaugpassage zu vermeiden, sollte regelmäßig kontrolliert werden, ob die Zisterne frei von Verschmutzungen ist (Laub, Sand usw.). Einen Mindestabstand von 20 cm vorsehen, damit Verstopfungen des Ansauggitters vermieden werden (Abb.2).
- Den Stecker des Stromkabels in eine 230 V Steckdose einstecken.
- Die Pumpe darf nur betrieben werden, wenn sie in Wasser eingetaucht ist. Eine Einhängtiefe von mindestens 12 cm einplanen. Sobald kein Wasser mehr vorhanden ist, muss die Pumpe umgehend angehalten werden, indem der Stecker aus der Steckdose genommen wird.
- Die Pumpe muss in einer stabilen Position im Innern der Zisterne oder jedenfalls an der niedrigsten Stelle des Installationsraums befestigt werden.
- Die Zisterne soll die folgenden Mindestabmessungen haben:
Min. Abmessungen der Basis (mm) 150x150 / min. Höhe (mm) 800 Abb. 2
- Die Zisterne muss auf Basis der zufließenden Wassermenge und der Förderleistung der Pumpe bemessen sein, damit der Motor nicht zu vielen Anlaufvorgängen pro Stunde ausgesetzt wird; es empfiehlt sich unbedingt 20 Anlaufvorgänge/Stunde nicht zu überschreiten.



Die Pumpe muss senkrecht installiert werden!

7. ELEKTROANSCHLUSS



Die Länge des Pumpenkabels begrenzt die max. Tauchtiefe der Pumpe. Die Anweisungen am Typenschild und in diesem Handbuch befolgen. Tabelle 3

8. EINSCHALTEN

Die Elektronik steuert je nach der von den Verbrauchern angeforderten Wassermenge automatisch das Ein- und Ausschalten (ON/OFF) der Pumpe.

Die Elektronik schützt die Vorrichtung gegen Trockenlauf.

- Ansaugphase: während der Ansaugphase macht die Pumpe vier Versuche zu je 30" (Motor ON), zwischen denen jeweils eine Pause von 3" (Motor OFF) liegt. Falls kein Wasser vorhanden ist, hält die Pumpe eine Stunde lang an und führt dann einen neuen Ansaugversuch durch. Schlägt auch dieser Versuch fehl, verlängert sich die Pause auf 5 Stunden. Danach wird der Ansaugversuch alle 24 Stunden wiederholt, bis der Wasserstand ausreicht, um den normalen Betrieb zu ermöglichen.
- Normaler Betrieb: Wenn der Wasserverbrauch während des Betriebs 40 Sekunden lang unter der Mindestförderleistung liegt, tritt die Pumpe in den Alarmzustand ein und bleibt 1 Stunde lang ausgeschaltet. Falls der Wasserstand weiterhin unzureichend sein sollte, versucht die Pumpe erneut anzusaugen.

Die Elektronik schützt die Pumpe vor Defekten am Rückschlagventil (NRV), die im Allgemeinen durch Schmutz- oder Sandverkrustungen entstehen. Solche Verkrustungen verhindern das Schließen des Rückschlagventils (NRV), sodass die Pumpe auch dann weiter funktioniert, wenn kein Wasser vorhanden ist. In diesem Fall schaltet sich die Pumpe automatisch jede Stunde aus; sofern alles in Ordnung ist, wird lediglich ein sehr geringer Druckabfall auftreten, der auch nur wenige Sekunden anhält. Ist das Rückschlagventil jedoch blockiert, tritt die Pumpe in den Alarmzustand ein und kann erst dann wieder funktionieren, wenn die Ursachen für die Verstopfung beseitigt sind.

Kontrolle der Fördermenge:

Die Kontrolle der Fördermenge schaltet die Pumpe aus, wenn kein Wasser entnommen wurde. Wenn Leckagen an der Druckseite vorliegen (z.B. undichter Wasserhahn oder Schlauch) schaltet sich die Pumpe mit kurzen Intervallen ein und aus. Wenn sich die Pumpe mehr als 7 Mal in 2 Minuten ein- und ausschaltet (bei einem Leck von < 6 l/h), wird sie ganz abgeschaltet. Nachdem das Leck an der Druckseite beseitigt wurde, die Pumpe aus- und einschalten, damit sie erneut in Betrieb genommen werden kann.

Die idealen Betriebsbedingungen sind dann gegeben, wenn die Pumpe völlig eingetaucht ist; trotzdem ermöglicht das Kühlsystem des Motors die kurzzeitige Funktion bei Mindestansaughöhe (50 mm).

Die Pumpe ist mit einem Schmutzfilter aus rostfreiem Stahl ausgestattet.

9. VORSICHTSMASSNAHMEN

FROSTGEFAHR Wenn die Pumpe bei Temperaturen unter 0°C nicht betrieben werden soll, muss das gesamte noch enthaltene Wasser entleert werden, weil es sonst vereisen und die Kunststoffteile beschädigen kann.

Wenn die Pumpe mit gechlortem Wasser oder mit Substanzen betrieben wurde, die zu Ablagerungen neigen, muss sie nach dem Gebrauch mit einem kräftigen Wasserstrahl abgespritzt werden, damit sich keine Ablagerungen oder Verkrustungen bilden, die die Leistung der Pumpe mindern würden.

10. WARTUNG UND REINIGUNG

Bei normalem Betrieb erfordert die Pumpe keinerlei Wartung. In jedem Fall dürfen alle Reparatur- und Wartungsarbeiten ausschließlich bei spannungslos gemachter Pumpe durchgeführt werden. Bevor die Pumpe wieder eingeschaltet wird, stets kontrollieren, ob der Ansaugfilter eingebaut ist, damit jedes Risiko der zufälligen Berührung von Bewegungsteilen ausgeschlossen wird.

10.1 Reinigung des Ansaugfilters

- Die Spannungsversorgung der Pumpe unterbrechen.
- Die Pumpe entleeren.
- Den Filter mit einem Wasserstrahl und einer Bürste reinigen.

10.2 Reinigung des Laufrads

- Die Spannungsversorgung der Pumpe unterbrechen.
- Die Pumpe entleeren.
- Die 8 Befestigungsschrauben an der Basis des Filters Abb. 3 abschrauben.
 - Basis und Filter ausbauen Abb.4
 - Das Laufrad festhalten und die Mutter Abb. 5 abschrauben
 - Laufrad, Diffusor, Ring und O-Ring-Dichtung ausbauen.
 - Diesen Vorgang an allen Laufrädern wiederholen.
- Die Pumpe mit sauberem Wasser waschen, damit etwaige Verschmutzungen zwischen Motor und Pumpenmantel entfernt werden.
- Das Laufrad reinigen.
- Sicherstellen, dass das Laufrad frei drehen kann.
- Die Teile in umgekehrter Reihenfolge wieder zusammenbauen.

10.3 Reinigung des Rückschlagventils

(Abb.6)

- Die Spannungsversorgung der Pumpe unterbrechen.
- Den Griff entfernen, indem die beiden Befestigungsschrauben Abb.6 abgeschraubt werden.
- Die 6 Schrauben am Deckel der Druckseite Abb.7 ausschrauben.
- Den Deckel der Druckseite und den Sandfilter Abb.8 ausbauen.
- Das Rückschlagventil ausbauen und von etwaigem Schmutz Abb. 9 befreien.
Die Teile in umgekehrter Reihenfolge wieder zusammenbauen.

11. STÖRUNGSSUCHE



Vor der Fehlersuche muss die Pumpe vom Stromnetz getrennt werden (Netzstecker ziehen). Falls Stromkabel oder elektrische Teile der Pumpe beschädigt sind, müssen Reparaturen oder Ersetzungen von der Herstellerfirma oder dem technischen Kundendienst oder jedenfalls von einer entsprechend qualifizierten Person durchgeführt werden, damit jedes Risiko ausgeschlossen wird.

Störungen	Ursachen	Abhilfen
Die Pumpe läuft nicht an	A. Pumpe wird nicht gespeist B. Rückschlagventil in geöffneter Position blockiert C. Wassermangel	A. Speisung kontrollieren. B. Rückschlagventil reinigen C. Wasserstand auffüllen
Die Pumpe fördert nicht	A. Ansauggitter oder Leitungen verstopft. B. Laufrad verschlissen oder blockiert. C. Die geforderte Förderhöhe übersteigt die Charakteristiken der Pumpe.	A. Verstopfungen beseitigen. B. Laufrad austauschen oder Ursache der Blockierung entfernen.
Die Fördermenge ist unzureichend.	A. Das Ansauggitter ist zum Teil verstopft. B. Laufrad oder Druckleitung teilweise verstopft oder verkrustet.	A. Etwaige Verstopfungen beseitigen. B. Etwaige Verstopfungen beseitigen.

Die Pumpe hält an (möglicherweise wegen Auslösen des Motorschutzschalters).	A. Das Fördermedium ist zu viskös und lässt den Motor heiß laufen. B. Die Wassertemperatur ist zu hoch. C. Ein Festkörper blockiert das Laufrad. D. Die Stromversorgung entspricht nicht den Daten des Typenschildes.	A.B.C.D. Den Netzstecker ziehen und die Ursache der Überhitzung beseitigen, Pumpe abkühlen lassen und den Stecker wieder einstecken.
---	--	--

12. GARANTIE



Alle nicht zuvor genehmigten Änderungen der Pumpe entheben den Hersteller von jeder Haftpflicht. Alle für Reparaturen verwendeten Ersatzteile müssen Originalteile sein und alle Zubehöre müssen vom Hersteller autorisiert sein, weil nur so die größtmögliche Sicherheit der Maschinen und Anlagen gewährleistet werden kann.

Dieses Produkt verfügt über eine gesetzliche Garantiezeit (innerhalb der EG 24 Monate ab dem Kaufdatum), die sämtliche auf Fabrikations- oder Materialfehler zurückzuführende Mängel deckt. Das unter Garantie stehende Produkt kann nach Dafürhalten des Herstellers entweder durch ein einwandfrei funktionierendes Produkt ersetzt oder kostenlos repariert werden, sofern die folgenden Bedingungen erfüllt sind:

- Das Produkt muss korrekt und gemäß der Anleitungen eingesetzt worden sein und es dürfen keine Reparaturversuche seitens des Käufers oder dritten Personen unternommen worden sein.
- Das Produkt muss dem Händler zusammen mit dem Kaufbeleg (Rechnung oder Kassenbon) und einer kurzen Beschreibung des aufgetretenen Problems übergeben werden.

Das Laufrad und die Verschleißteile werden nicht von der Garantie gedeckt. Eine Reparatur oder Ersatz unter Garantie verlängert in keinem Fall die ursprüngliche Garantiezeit.

TABLE DES MATIÈRES

1. Applications	13
2. LIQUIDES POMPABLES	13
3. DONNÉES TECHNIQUES ET LIMITES D'UTILISATION	13
4. GESTION	14
4.1 Stockage	14
4.2 Transport	14
4.3 Poids et dimensions	14
5. AVERTISSEMENTS	14
6. INSTALLATION	14
7. BRANCHEMENT ÉLECTRIQUE	15
8. DÉMARRAGE	15
9. PRÉCAUTIONS	15
10. ENTRETIEN ET LAVAGE	15
10.1 Nettoyage du filtre d'aspiration	16
10.2 Nettoyage des turbines	16
10.3 Nettoyage du clapet anti-retour NRV	16
11. RECHERCHE PANNES	16
12. GARANTIE	16

AVERTISSEMENTS



Avant de procéder à l'installation, lire attentivement toute la documentation:



Avant chaque intervention, débrancher la fiche. Il est strictement interdit de la faire fonctionner à sec.



Protection contre la surcharge La pompe est munie d'une protection thermique. En cas de surchauffe éventuelle du moteur, la protection intervient en éteignant automatiquement la pompe. Le temps de refroidissement est d'environ 15-20 min puis la pompe se rallume automatiquement. Après l'intervention de la protection thermique, il faut absolument en identifier la cause et l'éliminer. Consulter la section Recherche des Pannes.

1. APPLICATIONS

Pompe submersible multicellulaire avec électronique intégrée idéale pour être utilisée dans des systèmes d'eau de pluie et de réseaux d'irrigation, pour pomper l'eau limpide depuis des réservoirs, des citernes, des petits lacs et pour d'autres applications domestiques qui requièrent une pression élevée.

Grâce à sa forme compacte et maniable, elle a également des applications particulières comme pompes portables en cas d'urgence telles que, le prélèvement d'eau des réservoirs ou des rivières, la vidange de piscines et de sources.

Parfaite également pour le jardinage et les loisirs en tout genre avec une eau toujours limpide.



Ces pompes ne peuvent pas être utilisées dans des piscines, étangs, bassins en présence de personnes, ou pour le pompage d'hydrocarbures (essence, gazole, huiles combustibles, solvants, etc.) conformément aux normes de prévention des accidents en vigueur en la matière. Avant de les ranger, il faut prévoir une étape de nettoyage. Voir chapitre « Entretien et Nettoyage ».

2. LIQUIDES POMPABLES

Eaux fraîches	•
Eau de pluie	•
Eaux usées claires	○
Eaux usées	○
Eau de source	•
Eau de rivière ou lac	•
Dimension max. des particules [mm]	Ø 1

Tableau 1

- Adaptée
- Non adaptée

3. DONNÉES TECHNIQUES ET LIMITES D'UTILISATION

- **Tension d'alimentation:** 220-240V, voir plaquette des données électriques
- **Fusibles de ligne retardés (version 220-240V):** valeurs indicatives (Ampères)
- **Température de stockage:** -10°C +40°C

Modèle	Fusibles de ligne 220-240V 50Hz
P1=900	4
P1=1100	5

Tableau 2

	Modèle	P1=900	P1=1100
Données électriques	P1 Puissance absorbée nominale [W]	900	1100
	P2 [W]	650	750
	Tension de réseau [V]	220-240V	220-240V
	Fréquence de réseau [Hz]	50	50
	Courant [A]	3.8	4.8
	Condensateur [μ F]	12.5	12.5
	Condensateur [Vc]	450	450
Données hydrauliques	Débit max. [l/min]	95	95
	Hauteur totale nominale max. [m]	36	46
	Hauteur totale nominale max. [bar]	3.6	4.6
	Profondeur max. d'immersion [m]	12	12
	Hauteur min.submersion [cm]	12	12
	Pression démarrage [bar]	2.6+ 0.2	2.6+ 0.2
Champ d'utilisation	Long. Câble alimentation [m]	15	15
	Type câble	H07 RNF	H07 RNF
	Degré de protection du moteur	IP 68	IP 68
	Classe d'isolation	B	B
	Champ température du liquide [°C] selon la norme EN 60335-2-41 pour usage domestique	0 °C / +35 °C	0 °C / +35 °C
	Dimension max. des particules [mm]	Ø 1	Ø 1
	Max. Température environnementale [°C]	+40 °C	+40 °C
Poids	DNM GAZ	1" F	1" F
	Poids net/brut env. [kg]	10.8 / 12.8	10 / 12

Tableau 3



Le tuyau de refoulement ne doit exercer aucune contrainte sur la pompe, celle-ci doit être suspendue impérativement au moyen de la corde fournie ou d'un câble inox de 4 mm (non fourni).

4. GESTION

4.1 Stockage

Toutes les pompes doivent être stockées dans un endroit couvert, sec et avec une humidité de l'air si possible constante, exempt de vibrations et de poussières. Elles sont fournies dans leur emballage d'origine dans lequel elles doivent rester jusqu'au moment de l'installation.

4.2 Transport

Éviter de soumettre les produits à des chocs et collisions.

4.3 Poids et dimensions

La plaque adhésive placée sur l'emballage indique le poids total de l'électropompe et ses dimensions.

5. AVERTISSEMENTS



Les pompes ne doivent jamais être transportées, soulevées ou fonctionner suspendues en utilisant le câble d'alimentation; utiliser la poignée appropriée et la corde fournie.

- La pompe ne doit jamais fonctionner à sec.
- Le dispositif d'étanchéité contient du lubrifiant atoxique mais qui peut altérer les caractéristiques de l'eau, quand on pompe de l'eau pure, si la pompe devait avoir des fuites.

6. INSTALLATION

Monter le raccord fourni sur la pompe et assurer l'étanchéité au moyen de ruban PTFE; s'il fallait utiliser un tuyau avec un diamètre supérieur, remplacer le raccord. De plus, utiliser un collier de serrage pour fixer le tuyau sur le raccord. Fig.1

- Il est conseillé d'utiliser des tuyauteries avec un diamètre interne minimum de ¾" mm, pour éviter la diminution des prestations de la pompe.
- Pour éviter l'obstruction du passage de l'aspiration, il est conseillé de vérifier régulièrement que la citerne ne présente aucune accumulation de saleté (feuilles, sable, etc.). Il faut prévoir une distance minimale de 20 cm pour éviter des engorgements de la grille d'aspiration (Fig. 2).
- Insérer la fiche du câble d'alimentation dans une prise de courant à 230 V.
- La pompe doit être actionnée uniquement si elle est plongée dans l'eau. Assurer une submersion minimale de 12 cm. Si l'eau s'épuise, la pompe sera arrêtée par la protection manque d'eau (voir plus bas).

FRANÇAIS

- La pompe doit être positionnée de manière stable à l'intérieur d'une citerne ou dans tous les cas, dans un point plus bas que le local d'installation.
- Veiller que les dimensions minimales de la citerne respectent les valeurs suivantes:
Dimensions base min. (mm) 150x150 / Hauteur min. (mm) 800 Fig 2
- Les dimensions de la citerne devraient toujours être calculées en relation avec la quantité d'eau en arrivée et le débit de la pompe, pour ne pas soumettre le moteur à un nombre excessif de démarrages/heure; il est strictement déconseillé de dépasser les 20 démarrages/heure.



La pompe doit être installée en position verticale!

7. BRANCHEMENT ÉLECTRIQUE



La longueur du câble d'alimentation présent sur la pompe limite la profondeur maximum d'immersion pour l'utilisation de celle-ci. Respecter les indications présentes sur la plaque technique et dans le tableau 3 de ce manuel.

8. DÉMARRAGE

L'électronique commande automatiquement l'allumage et l'arrêt (ON/OFF) de la pompe en fonction de la demande d'eau de la part de l'utilisateur.

L'électronique protège l'application contre le fonctionnement à sec.

- Phase d'amorçage : en phase d'amorçage, la pompe effectue quatre tentatives de 30" (moteur ON) à 3" d'intervalle les unes des autres (moteur OFF). Si l'eau est absente, la pompe s'arrête pendant une heure puis effectue une nouvelle tentative d'amorçage. Si cette tentative échoue, la pause devient de 5 heures, puis l'application répète la tentative d'amorçage toutes les 24 heures jusqu'au moment où l'eau a atteint un niveau suffisant pour permettre le fonctionnement normal.
- Fonctionnement normal: si au cours du fonctionnement, pendant 40 secondes la consommation d'eau est inférieure au débit minimum, la pompe se met en alarme et s'arrête pendant 1 heure. Ensuite, si le niveau de l'eau reste insuffisant, la pompe entre en phase d'amorçage.

L'électronique protège la pompe contre les pannes du clapet de non-retour (NRV), généralement causées par des dépôts de saleté ou de sable. Ces dépôts empêchent la fermeture du clapet et la pompe peut donc continuer à fonctionner même en cas de manque d'eau. Dans notre cas, la pompe s'éteint automatiquement toutes les heures; si tout est normal, l'utilisateur remarque uniquement une légère baisse de pression qui ne dure que quelques secondes. Si par contre le clapet est bloqué, la pompe se met en alarme et ne peut être remise en marche qu'après avoir éliminé les causes de l'obstruction.

Contrôle du débit:

Le contrôle du débit arrête la pompe en cas d'absence de prélèvement d'eau. Si des pertes persistent au refoulement (par ex. le robinet de l'eau ou le tuyau flexible non étanche), la pompe s'allume et s'éteint pendant des intervalles brefs de temps. Si la pompe s'allume et s'éteint plus de 7 fois sur 2 minutes (en cas de perte < 6 l/h), celle-ci s'éteint complètement. Une fois la fuite du côté refoulement éliminée, débrancher et rebrancher la pompe pour pouvoir l'utiliser à nouveau.

La situation idéale de travail est celle d'une pompe complètement immergée ; toutefois le système de refroidissement du moteur en permet l'utilisation, pendant de courtes périodes, jusqu'à la hauteur minimum d'aspiration (50 mm).

La pompe est munie d'un filtre anti-détritus en acier inoxydable, pour les débris grossiers.

9. PRÉCAUTIONS

DANGER DE GEL : lorsque la pompe reste inactive à température inférieure à 0 °C, il faut s'assurer qu'il n'y ait pas de résidus d'eau qui en gelant pourraient créer des fêlures de parties en plastique.

Si la pompe a été utilisée avec des substances qui tendent à se déposer, ou une eau chargée en calcaire, rincer après l'utilisation, avec un puissant jet d'eau pour éviter la formation de dépôts ou d'incrustations qui tendraient à réduire les caractéristiques de la pompe, l'endommager ou gêner le refroidissement du moteur.

10. ENTRETIEN ET LAVAGE

L'électropompe, dans un fonctionnement normal, ne demande aucune maintenance particulière autre que l'entretien régulier, la suppression des salissures ou encrustements, le contrôle d'absence de fuites. Dans tous les cas, toutes les interventions de réparation et de maintenance ne doivent être effectuées qu'après avoir débranché la pompe. Quand on fait repartir la pompe, vérifier que la crépine d'aspiration soit toujours montée de manière à ne pas créer de danger ou possibilité de contact accidentel avec les parties en mouvement.

10.1 Nettoyage du filtre d'aspiration

- Déconnecter l'alimentation électrique de la pompe.
- Vidanger la pompe.
- Nettoyer avec un jet d'eau et une brosse

10.2 Nettoyage des turbines

- Déconnecter l'alimentation électrique de la pompe.
- Vidanger la pompe.
- Desserrer les 8 vis de fixation sur la base du filtre fig.3.
- Retirer la base et le filtre fig. 4
- En tenant la 1ère turbine, esserrer l'écrou fig.5
- Extraire la turbine, le diffuseur, l'anneau et le joint torique.
- Le répéter pour toutes les turbines
- Rincez la pompe avec de l'eau propre pour éliminer les éventuelles impuretés entre le moteur et la chemise de la pompe.
- Nettoyer les turbines.
- Vérifier que la roue peut tourner librement.
- Remonter les parties dans le sens inverse du démontage.

10.3 Nettoyage du clapet anti-retour NRV

(Fig.6)

- Déconnecter l'alimentation électrique de la pompe.
 - Retirer la poignée en dévissant les deux vis de fixation fig. 6
 - Desserrer les 6 vis sur le couvercle d'arrivée fig. 7
 - Extraire le couvercle d'arrivée et le filtre anti-sable fig. 8
 - Retirer le bloc clapet et le nettoyer de l'éventuelle saleté fig.9
- Remonter les pièces dans le sens inverse du démontage

11. RECHERCHE PANNES



Avant de commencer la recherche des pannes, il faut interrompre l'alimentation électrique de la pompe (retirer la fiche de la prise). Si le câble d'alimentation ou un composant électrique quelconque de la pompe sont abîmés, la réparation ou le remplacement de la pièce doivent être effectués par le Constructeur ou par son service après-vente, ou bien par une personne ayant une qualification équivalente de manière à prévenir tout risque.

Pannes	Vérifications	Remèdes
La pompe ne s'allume pas	A. La pompe n'est pas alimentée B. Clapet anti-retour NRV bloqué en position ouverte C. Absence d'eau	A. Vérifier l'alimentation. B. Nettoyer le clapet anti-retour NRV C. Contrôler le niveau de l'eau
La pompe ne refoule pas	A. La crépine d'aspiration ou les tuyaux sont bouchés. B. La roue est usée ou bloquée. C. La hauteur demandée est supérieure aux caractéristiques de la pompe.	A.B Éliminer les obstructions. C. Remonter la pompe dans le puits en fonction de ses caractéristiques
Le débit est insuffisant.	A. Vérifier que la crépine d'aspiration n'est pas partiellement bouchée. B. Vérifier que la roue ou le tuyau de refoulement ne sont pas partiellement bouchés ou incrustés.	A. Éliminer les éventuelles obstructions. B. Éliminer les éventuelles obstructions.
La pompe s'arrête (intervention possible de la protection thermique).	A. Vérifier que le liquide à pomper n'est pas trop dense car il causerait la surchauffe du moteur. B. Vérifier que la température de l'eau n'est pas trop élevée. C. Vérifier qu'aucun corps solides ne bloque la roue. D. Alimentation non conforme aux données de la plaque.	A.B.C.D. Débrancher la fiche, éliminer la cause qui a provoqué la surchauffe, attendre le refroidissement de la pompe et la rebrancher.

12. GARANTIE



Toute modification non autorisée au préalable dégage le constructeur de tout type de responsabilité. Toutes les pièces de rechange utilisées dans les réparations doivent être originales et tous les accessoires doivent être autorisés par le constructeur de manière à pouvoir garantir le maximum de sécurité des machines et des installations sur lesquelles ils peuvent être montés.

Ce produit est couvert par une garantie légale (dans la Communauté européenne pendant 24 mois à partir de la date d'achat) concernant tous les défauts imputables à des vices de fabrication ou de matériau utilisé.

Le produit en garantie pourra être, à discrétion, soit remplacé par un nouveau en parfait état de fonctionnement ou réparé gratuitement si les conditions suivantes sont observées:

- le produit a été utilisé correctement et conformément aux instructions et qu'aucune tentative de réparation n'ait été effectuée par l'acheteur ou par des tiers.
- Le produit a été remis au point de vente d'achat, avec la documentation qui atteste l'achat (facture ou ticket fiscal) et une brève description du problème rencontré.

Les turbines, les pièces sujettes à l'usure, les raccords ne sont pas concernées par la garantie. L'intervention sous garantie n'étend en aucun cas la durée initiale. Enfin le fabricant met tout en oeuvre afin de fournir sur commande les pièces détachées principales dites d'usure pendant une durée minimale de 5 ans après la date de fabrication figurant dans le numéro de série.

ÍNDICE

1. APLICACIONES.....	17
2. LÍQUIDOS QUE SE PUEDEN BOMBEAR	17
3. DATOS TÉCNICOS Y LÍMITES DE USO	17
4. GESTIÓN.....	18
4.1 Almacenaje.....	18
4.2 Transporte.....	18
4.3 Peso y medidas.....	18
5. ADVERTENCIAS	18
6. INSTALACIÓN	18
7. CONEXIÓN ELÉCTRICA	19
8. PUESTA EN MARCHA	19
9. PRECAUCIONES.....	19
10. MANTENIMIENTO Y LIMPIEZA	19
10.1 Limpieza del filtro de aspiración	20
10.2 Limpieza del rotor	20
10.3 Limpieza de la válvula antirretorno (VA)	20
11. Búsqueda de averías.....	20
12. GARANTÍA.....	20

ADVERTENCIAS



Antes de proceder con la instalación, leer detenidamente esta documentación.



Antes de cada operación, desconectar la clavija. Está prohibido hacer funcionar la bomba en seco.



Protección contra sobrecarga: la bomba está equipada con un interruptor de sobrecarga térmico. De recalentarse el motor, el interruptor de sobrecarga apaga automáticamente la bomba. El tiempo de enfriamiento es de alrededor de 15-20 min, después la bomba se vuelve a encender automáticamente. Cuando se activa el interruptor de sobrecarga, es necesario buscar la causa y eliminarla. Consulte el punto Búsqueda de las Averías.

1. APLICACIONES

Bomba sumergible multicelular con electrónica integrada, ideal para el empleo en sistemas de agua pluvial y redes de riego, para bombear agua de depósitos, cisternas y estanques, y para otras aplicaciones domésticas que exigen una presión alta.

Gracias a su forma compacta y maniobrable, se utilizan como bombas portátiles para casos de emergencia, tales como la aspiración de agua de depósitos o ríos, desagües de piscinas y estanques. También es adecuada para jardinería y bricolaje en general.



No se pueden utilizar estas bombas en piscinas, estanques ni embalses con presencia de personas, y tampoco para bombear hidrocarburos (gasolina, gasóleo, aceites combustibles, disolventes, etc.), según las normas de prevención de accidentes vigentes en materia. Antes de guardarlas se recomienda limpiarlas. Ver el capítulo “Mantenimiento y Limpieza”.

2. LÍQUIDOS QUE SE PUEDEN BOMBEAR

Aguas frescas	•
Agua de lluvia	•
Aguas claras residuales	○
Aguas sucias	○
Agua de fuente	•
Agua de río o lago	•
Tamaño máx. de las partículas [mm]	Ø 1

Tabla 1

• Apto

○ No apto

3. DATOS TÉCNICOS Y LÍMITES DE USO

- **Tensión de alimentación: 220-240V**, ver placa de datos eléctricos
- **Fusibles de línea retardados (versión 220-240V)**: valores indicativos (Amperios)

Modelo	Fusibles de línea 220-240V50Hz
P1=900	4
P1=1100	5

Tabla 2

- **Temperatura de almacenaje:** -10°C +40°C

	Modelo	P1=900	P1=1100
Datos eléctricos	P1 Potencia absorbida Nominal [W]	900	1100
	P2 [W]	650	750
	Voltaje de red [V]	220-240V	220-240V
	Frecuencia de red [Hz]	50	50
	Corriente [A]	3.8	4.8
	Condensador [μ F]	12.5	12.5
	Condensador [Vc]	450	450
Datos hidráulicos	Caudal máx. [l/min]	95	95
	Altura de elevación máx. [m]	36	46
	Altura de elevación máx. [bar]	3.6	4.6
	Profundidad máx. de inmersión [m]	12	12
	Altura mín. de inmersión [cm]	12	12
	Presión de encendido [bar]	2.6+ 0.2	2.6+ 0.2
Campo de utilización	Long. cable de alimentación [m]	15	15
	Tipo de cable	H07 RNF	H07 RNF
	Grado de protección del motor	IP 68	IP 68
	Clase de aislamiento	B	B
	Rango de temperatura del líquido [°C] de acuerdo con la Norma EN 60335-2-41 para uso doméstico	0 °C / +35 °C	0 °C / +35 °C
	Tamaño máx. de las partículas [mm]	Ø 1	Ø 1
	Temperatura ambiente máx. [°C]	+40 °C	+40 °C
Peso	DNM GAS	1" F	1" F
	Peso Neto/Bruto aprox. [kg]	10.8 / 12.8	10 / 12

Tabla 3



La bomba colocada sin apoyarla en una base no puede sostener el peso de las tuberías, que habrá que sostener de otra manera.

4. GESTIÓN

4.1 Almacenaje

Hay que almacenar todas las bombas en un lugar cubierto, seco y con humedad del aire posiblemente constante, exento de vibraciones y polvo. Se suministran en su embalaje original, que no hay que quitar hasta su instalación.

4.2 Transporte

Evitar someter los productos a golpes y choques inútiles.

4.3 Peso y medidas

En la placa adhesiva aplicada en el embalaje se indican el peso total de la electrobomba y sus medidas.

5. ADVERTENCIAS



Las bombas nunca se deben transportar, levantar o hacer funcionar en forma suspendida utilizando el cable de alimentación; utilizar el asa respectivo y la cuerda suministrada de serie.

- La bomba no deberá nunca funcionar en seco.
- El dispositivo de estanqueidad contiene lubricante atóxico que puede alterar las características del agua, si se trata de agua pura, en el caso la bomba tuviera pérdidas.

6. INSTALACIÓN

Enrosque la entrerrosca presente en el embalaje, que es apto para las tuberías de ¾" y 1"; si se desea utilizar una tubería con un diámetro más grande, sustituir la conexión. Utilizar también una abrazadera para fijar el tubo a la conexión. Fig.1

- Se recomienda utilizar tuberías con un diámetro interior mínimo de ¾" mm para evitar la disminución de los rendimientos de la bomba.
- Para evitar que se obstruyan los pasos de aspiración, se recomienda comprobar, periódicamente, que en la cisterna de recogida no se acumule suciedad (hojas, arena, etc.). Se recomienda establecer una distancia mínima de 20 cm para evitar atascamientos en la rejilla de aspiración (Fig.2).
- Conectar la clavija del cable de alimentación a un tomacorriente de 230 V.

- La bomba se debe accionar únicamente si está sumergida en el agua. Tener en cuenta una profundidad de inmersión mínima de 12 cm. Si el agua se acaba, desactive de inmediato la bomba desenchufándola..
- La bomba debe estar situada en una posición estable adentro de una cisterna de recogida o en el punto más bajo del local de instalación.
- La cisterna de recogida debe tener como mínimo las siguientes medidas:
Medidas básicas min. (mm) 150x150 / Altura min. (mm) 800 Fig 2
- La cisterna siempre deberá tener las medidas en relación con la cantidad de agua que entra y el caudal de la bomba, con la finalidad de no someter el motor a excesivos arranques por hora; es muy importante no superar los 20 arranques por hora.



¡Hay que instalar la bomba en posición vertical!

7. CONEXIÓN ELÉCTRICA



La longitud del cable de alimentación con que está dotada la bomba limita la profundidad máxima de inmersión de la misma. Atenerse a las indicaciones dadas en la placa de datos técnicos y en la tabla 3 de este manual.

8. PUESTA EN MARCHA

La parte electrónica acciona automáticamente el encendido y el apagado (ON/OFF) de la bomba de acuerdo con la demanda de agua del dispositivo de servicio.

La electrónica protege la aplicación del funcionamiento en seco.

- Etapa de cebado: durante el cebado, la bomba hace cuatro tentativas de 30" (motor ON) con un intervalo de pausa de 3" (motor OFF). Si faltara el agua, la bomba se detendrá durante una hora y, posteriormente, hará una nueva tentativa de cebado. Si dicha tentativa fallara, la pausa será de 5 horas, y la aplicación repetirá la tentativa de cebado cada 24 horas hasta que el nivel de agua sea suficiente para permitir el funcionamiento normal.
- Funcionamiento normal: Si durante el funcionamiento, por 40" segundos el consumo de agua fuera inferior al caudal mínimo, la bomba se colocará en alarma y se detendrá por 1 hora. Posteriormente, si el nivel de agua siguiera siendo insuficiente, la bomba entrará en la etapa de cebado.

La electrónica protege la bomba de las averías a la Válvula Antirretorno (VA) que, generalmente, son provocadas por incrustaciones de suciedad o de arena. Las incrustaciones impiden que la VA se cierre, entonces la aplicación sigue funcionando incluso sin agua. En este caso, la bomba se apagará automáticamente cada una hora; si todo es normal, el usuario notará sólo una ligera caída de presión de pocos segundos de duración. Por el contrario, si la VA estuviera bloqueada, la bomba se colocará en alarma y podrá ponerse en marcha únicamente después de haberse solucionado la causa de la obstrucción .

Control del caudal:

El control del caudal desactiva la bomba si no se aspirara agua. Si hubiera pérdidas en el lado de la presión (por ej. un grifo de agua o una manguera no hermética), la bomba se encenderá y se apagará con un intervalo de tiempo breve. Si la bomba se enciende y se apaga más de 7 veces en 2 minutos (en caso de una pérdida < 6 l/h), la misma se apagará definitivamente. Tras haber eliminado la pérdida en el lado de la presión, desactivar y reactivar la bomba para poderla utilizar de nuevo.

La situación ideal de funcionamiento es con la bomba completamente sumergida; si embargo, el sistema de refrigeración del motor permite, durante breves períodos, el uso hasta la altura mínima de aspiración (50 mm).

La bomba incorpora un filtro antisuciedad de acero inoxidable.

9. PRECAUCIONES

PELIGRO DE CONGELACIÓN: cuando la bomba queda inactiva con una temperatura bajo 0 °C, es necesario asegurarse de que no queden residuos de agua porque al congelarse pueden agrietar las piezas de plásticos.

Si la bomba ha sido utilizada con sustancias que tienden a depositarse o con agua con cloro, enjuagarla después del uso con un chorro de agua fuerte para que no se formen depósitos o incrustaciones que podrían reducir las características de la bomba.

10. MANTENIMIENTO Y LIMPIEZA

Durante el funcionamiento normal la electrobomba no requiere ningún mantenimiento. De cualquier modo, todas las operaciones de reparación y mantenimiento se deberán ejecutar únicamente tras desconectar la bomba de la red de alimentación. Al rearmar la bomba asegurarse siempre de que esté montado el filtro de aspiración, con el fin de no crear peligro o posibilidades de contacto casual con las piezas en movimiento.

10.1 Limpieza del filtro de aspiración

- Deshabilitar la alimentación eléctrica de la bomba.
- Drenar la bomba
- Limpiar con un chorro de agua y un cepillo

10.2 Limpieza del rotor

- Desactivar la alimentación eléctrica de la bomba.
- Drenar la bomba
- Desenroscar los 8 tornillos de fijación de la base del filtro fig.3.
- Quitar la base y el filtro fig.4
- Sujetando el rotor, desenroscar la tuerca fig.5
- Extraer el rotor, el difusor, el anillo y la junta tórica OR.
- Repetir la operación para todos los rotores
- Lavar la bomba con agua limpia para quitar las posibles impurezas entre el motor y el forro de la bomba.
- Limpiar el rotor.
- Verificar que el rotor gire libremente.
- Ensamblar las piezas en sentido inverso a la secuencia de desmontaje.

10.3 Limpieza de la válvula antirretorno (VA)

(Fig.6)

- Desactivar la alimentación eléctrica de la bomba.
 - Quitar el asa desenroscando los dos tornillos de fijación fig. 6
 - Desenroscar los 6 tornillos de la tapa de impulsión fig.7
 - Extraer la tapa de impulsión y el filtro antiarena fig.8
 - Quitar la válvula antirretorno y limpiarla si estuviera sucia fig.9
- Ensamblar las piezas en el sentido inverso a la secuencia de desmontaje.

11. BÚSQUEDA DE AVERÍAS



Antes de comenzar a buscar los desperfectos, corte la conexión eléctrica de la bomba (desenchúfela). Si el cable de alimentación o alguna pieza eléctrica de la bomba estuvieran averiados, la reparación o sustitución deben ser llevados a cabo por el Fabricante o por su servicio de asistencia técnica o bien por personal cualificado, para prevenir cualquier riesgo.

Guasti	Cause	Rimedi
La bomba no se enciende	A. La bomba no está alimentada B. La válvula antirretorno (VA) está bloqueada en la posición abierta C. Falta agua	A. Compruebe la alimentación. B. Limpie la válvula VA C. Reponga el nivel de agua
La bomba no bombea	A. La rejilla de aspiración o las tuberías están obstruidas. B. El rodete está gastado o bloqueado. C. La altura de elevación requerida es superior a las características de la bomba.	A. Elimine la obstrucción B. Sustituya el rodete o elimine el bloqueo.
El caudal es insuficiente	A. Controle que la rejilla de aspiración no esté parcialmente obstruida. B. Controle que el rodete o el tubo de impulsión no estén parcialmente obstruidos o con incrustaciones.	A. Elimine posibles obstrucciones. B. Elimine posibles obstrucciones.
La bomba se detiene (posible desconexión del protector térmico del motor)	A. Controle que el líquido a bombear no sea demasiado denso, porque causaría el recalentamiento del motor. B. Controle que la temperatura del agua no sea demasiado alta. C. Controle que ningún cuerpo sólido esté bloqueando el rodete. D. Alimentación no conforme a los datos nominales.	A.B.C.D. Desconecte el enchufe y elimine la causa que ha provocado el recalentamiento, espere a que la bomba se enfríe y vuelva a conectar el enchufe.

12. GARANTÍA



Cualquier modificación no autorizada previamente exime al fabricante de toda responsabilidad. Todas las piezas de recambio utilizadas en las reparaciones deberán ser originales y todos los accesorios estarán autorizados por el fabricante, con el fin de garantizar la máxima seguridad de las máquinas y de las instalaciones en las que están montadas.

Este producto está amparado por una garantía legal (en la Comunidad Europea durante 24 meses a partir de la fecha de compra) contra todos los defectos debidos a vicios de fabricación o materiales utilizados.

El producto cubierto por la garantía podrá ser, a discreción del fabricante, sustituido por uno que funcione perfectamente o reparado de forma gratuita si se observan las siguientes condiciones:

- el producto haya sido utilizado adecuadamente y de acuerdo con las instrucciones y ni el comprador ni terceros hayan intentado repararlo;
- el producto haya sido entregado en la tienda donde se ha comprado, adjuntando el documento que acredite la compra (factura o recibo fiscal) y una breve descripción del problema.

El rotor y las piezas sujetas a desgaste no están amparados por garantía. La reparación bajo garantía no extiende por ningún motivo el período original.

СЪДЪРЖАНИЕ

1. ПРИЛОЖЕНИЯ	21
2. ТЕЧНОСТИ ЗА ИЗПОМПВАНЕ.....	21
3. ТЕХНИЧЕСКИ ДАННИ И ОГРАНИЧЕНИЯ ЗА УПОТРЕБА.....	21
4. СТОПАНИСВАНЕ.....	22
4.1 Съхранение.....	22
4.2 Транспорт.....	22
4.3 Тегло и размери.....	22
5. ПРЕДУПРЕЖДЕНИЯ.....	22
6. МОНТИРАНЕ.....	22
7. ЕЛЕКТРИЧЕСКО СВЪРЗВАНЕ	23
8. СТАРТИРАНЕ	23
9. ПРЕДПАЗНИ МЕРКИ.....	23
10. ПОДДРЪЖКА И ПОЧИСТВАНЕ	23
10.1 Почистване на аспирационния филтър.....	24
10.2 Почистване на ротора	24
10.3 Почистване на НВК.....	24
11. ОТКРИВАНЕ НА ПОВРЕДИ	24
12. ГАРАНЦИЯ.....	24

ПРЕДУПРЕЖДЕНИЯ



Преди да пристъпите към монтажа, прочетете внимателно цялата документация:



Преди всяка операция изваждайте щепсела. Никога не трябва да се допуска работа на сухо.



Защита срещу претоварване. Помпата е окомплектована със защита срещу термично претоварване на двигателя. В случай на евентуално прегряване на двигателя, защитата изключва автоматично помпата. Времето за охлаждане е около 15-20 мин., след което помпата се включва отново автоматично. След задействането на защитата за двигателя е абсолютно необходимо да се потърси паричната и да се отстрани. Направете справка с "Откриване на повреди".

1. ПРИЛОЖЕНИЯ

Многостъпална потопяема помпа с вградена електроника, идеална за използване в системи за дъждовна вода и напоителни мрежи, за изпомпване на вода от резервоари, цистерни, езера и за други битови приложения, изискващи високо налягане.

Благодарение на компактната си и лесна за работа форма намират и специално приложение като преносими помпи за аварийни ситуации, като например източване на вода от резервоари или реки, изпразване на басейни и фонтани. Подходяща е и за градината и като цяло за употреба в свободното време.



Тези помпи не могат да бъдат използвани в басейни, херметични съдове, басейни с наличие на налягане и/или за изпомпване на въглеводороди (бензин, дизел, течни горива, разтворители и др.) съгласно действащите разпоредби срещу злополуки. Преди да ги приберете за съхранение, е добре да предвидите почистването им. Виж глава "Поддръжка и почистване".

2. ТЕЧНОСТИ ЗА ИЗПОМПВАНЕ

Чиста вода	•
Дъждовна вода	•
Нефекални отпадъчни води	○
Мръсна вода	○
Вода от фонтани	•
Речни или езерни води	•
Макс. размер на частиците [mm]	Ø 1

Таблица 1

- Подходяща
- Неподходяща

3. ТЕХНИЧЕСКИ ДАННИ И ОГРАНИЧЕНИЯ ЗА УПОТРЕБА

- **Захранващо напрежение:** 220-240V, виж идент.табела с електрическите данни
- **Предпазители по линията с отложено действие**

Модел	Предпазители по линията 220-240V 50Hz
P1=900	4
P1=1100	5

Таблица2

БЪЛГАРСКИ

(версия 220-240V): примерни стойности (Ампери)

- Температура на складиране: -10°C +40°C

	Модел	P1=900	P1=1100
Данни - електрическа част	P1 Номинална консумирана мощност [W]	900	1100
	P2 [W]	650	750
	Мрежово напрежение [V]	220-240V	220-240V
	Мрежова честота [Hz]	50	50
	Ток [A]	3.8	4.8
	Кондензатор [μ F]	12.5	12.5
	Кондензатор [Vc]	450	450
Данни - хидравлична част	Макс. дебит [l/min]	95	95
	Макс. напор [m]	36	46
	Макс. напор [bar]	3.6	4.6
	Макс. дълбочина на потапяне [m]	12	12
	Мин. височина на потапяне [cm]	12	12
	Налягане при включване [bar]	2.6+ 0.2	2.6+ 0.2
Сфера на приложение	Дълж. Захранващ кабел [m]	15	15
	Вид кабел	H07 RNF	H07 RNF
	Степен на защита на двигателя	IP 68	IP 68
	Клас изолация	B	B
	Температурен обхват на течността [°C] съгласно EN 60335-2-41 за битова употреба	0 °C / +35 °C	0 °C / +35 °C
	Макс. размер на частиците [mm]	Ø 1	Ø 1
	Макс. температура на околната среда [°C]	+40 °C	+40 °C
	Тегло	DNM GAS	1" F
	Тегло Нето/Бруто прибрл. [kg]	10.8 / 12.8	10 / 12

Таблица 3



Помпа, която не се разполага върху основа, не може да издържи тежестта на тръбите, която в противен случай трябва да се понесе.

4. СТОПАНИСВАНЕ

4.1 Съхранение

Всички помпи трябва да се съхраняват в закрито, сухо място, по възможност с постоянна влажност на въздуха, без вибрации и прах. Доставят се в оригинална опаковка, в която трябва да останат до момента на монтажа.

4.2 Транспорт

Избягвайте да подлагате продуктите на ненужни удари и сблъсъци.

4.3 Тегло и размери

Идентификационният стикер, поставен върху опаковката, съдържа указание за общото тегло на електрическата помпа и за нейните размери.

5. ПРЕДУПРЕЖДЕНИЯ



Помпите никога не трябва да се транспортират, повдигат или пускат в действие, окачени за захранващия кабел, използвайте специалната дръжка.

- Помпата никога не трябва да се оставя да работи на сухо.
- Уплътнителното устройство съдържа нетоксично смазочно вещество, но то може да промени характеристиките на водата, ако от помпата има теч в случай, че става дума за чиста вода.

6. МОНТИРАНЕ

Завийте нипела със свързката, налична в опаковката, подходящ за тръби с размери ¾" и 1", в случай, че желаете да използвате тръба с по-голям диаметър, сменете муфата. Освен това използвайте скобата за пристягане на маркуча, за да фиксирате тръбата към свързката. Фиг 1

- Препоръчва се използването на тръби с вътрешен диаметър най-малко ¾" mm, за да се избегне влошаване на работните характеристики на помпата.
- За да предотвратите запусване на всмукателните участъци, се препоръчва периодично да проверявате дали в събирателната цистерна не се е натрупала мръсотия (листа, пясък и др.), добре е да предвидите минимално разстояние от 20 cm, за да се предотврати запусване на аспирационната решетка (Фиг.2).

БЪЛГАРСКИ

- Включете щепсела на захранващия кабел към захранващ контакт от 230 V.
- Помпата трябва да се включва, само ако е потопена във водата. Считайте за минимално потапяне 12 cm. Ако водата се изчерпи, помпата трябва незабавно да се спре от електрическия контакт.
- Помпата трябва да бъде разположена в стабилна позиция в събирателна цистерна или все пак в най-ниската точка на мястото на монтажа.
- Погрижете се че резервоарът, в която се поставя помпата, да има минимални размери, като следните стойности:
Мин. размери основа (mm) 150x150 / Мин. височина (mm) 800 Фиг 2
- Резервоарът трябва да се оразмерява винаги и по отношение на количеството на входящата вода, и на дебита на помпата, за да се избегне подлагането на двигателя на прекалено много стартирания/час, настоятелно се препоръчва да не се превишават 20 стартирания/час.



Помпата трябва да се монтира във вертикална позиция!

7. ЕЛЕКТРИЧЕСКО СВЪРЗВАНЕ



Дължината на захранващия кабел, наличен към помпата, ограничава максималната дължина за потапяне при използването на самата помпа. Придържайте се към указанията, посочени в табелата с техническите данни и в това ръководство, таблица 3.

8. СТАРТИРАНЕ

Електрониката управлява автоматично включването и изключването (ON/OFF) на помпата в зависимост от нуждите за вода на потребителя.

Електрониката предпазва устройството от работа на сухо

- Фаза на заливане: във фазата на заливане помпата извършва 4 опита по 30" (двигател ON) с паузи между тях от 3" (двигател OFF). Ако няма вода, помпата спира за един час и след това прави нов опит за заливане. Ако този опит се провали, паузата става 5 часа, след което устройството повтаря опита за заливане на всеки 24 часа, докато нивото на водата не стане достатъчно за нормално функциониране.
- Нормално функциониране: ако по време на работа за 40" консумацията на вода е под минималния дебит, се задейства аларма на помпата и спира за един час. След което, ако нивото на водата продължава да бъде недостатъчно, помпата влиза във фаза на заливане.

Електрониката защитава помпата от повреди на невъзвратния клапан (НВК), като цяло предизвикани от натрупвания на мръсотия или пясък. Натрупванията пречат на НВК да се затваря, следователно устройството продължава да работи дори и при липса на вода. В нашия случай помпата се спира автоматично на всеки час; ако всичко е нормално, потребителят забелязва само много слабо спадане на налягането за няколко секунди. Ако обаче НВК е блокиран, помпата минава в режим на аларма и може да рестартира работата си само след отстраняване на причините за запушването.

Проверка на дебита:

Проверката за дебита деактивира помпата в случай на липса на вода. Ако съществуват течове от страната на налягането (напр. крана за водата или нехерметичен маркуч), помпата се включва и изключва на кратки времеви интервали. Ако помпата се включва и изключва повече от 7 пъти за 2 минути (в случай на теч < 6 l/h), тя ще спре напълно. След като се отстрани причината за теча от страната на налягането, изключете и включете помпата, за да я ползвате отново.

Идеалният случай на работа е с напълно потопена помпа; все пак системата за охлаждане на двигателя позволява, за кратки периоди, използване до минималната височина на всмукване (50 mm).

Помпата има филтър срещу отпадъци от неръждаема стомана.

9. ПРЕДПАЗНИ МЕРКИ

ОПАСНОСТ ОТ ЗАМРЪЗВАНЕ: когато помпата остане неактивна при температура под 0°C, е необходимо да се уверите, че няма остатъци от вода, които замръзвайки, могат да предизвикат пукнатини в пластмасовите части. Ако помпата е била използвана с вещества, които се утаяват или с хлорирана вода, изплакнете след употреба със силна струя вода, за да не се допусне образуване на утайки или отлагания, които могат да влошат характеристиките на помпата.

10. ПОДДРЪЖКА И ПОЧИСТВАНЕ

При нормално функциониране електрическата помпа не изисква никакъв вид поддръжка. Във всеки случай всички операции по ремонт и поддръжка трябва да се извършват само след като сте изключили помпата от захранващата мрежа. Когато рестартирате помпата, винаги проверявайте дали е монтиран всмукателният филтър, за да не се създаде опасност или възможност за случаен контакт с движещите се части.

БЪЛГАРСКИ

10.1 Почистване на аспирационния филтър

- Изключете електрическото захранване на помпата.
- Източете помпата
- Почистете със струя вода и четка

10.2 Почистване на ротора

- Изключете електрическото захранване на помпата.
- Източете помпата
- Развийте 8-те фиксиращи винта от основата на филтъра фиг.3.
- Отстранете основата и филтъра фиг.4
- Като държите ротора, развийте гайката фиг.5
- Извадете ротора, дифузьора, пръстена и о-пръстена.
- Повторете за всички ротори
- Измийте помпата с чиста вода, за да отстраните евентуални замърсявания между двигателя и кожуха на помпата.
- Почистете ротора.
- Проверете дали роторът може да се върти свободно.
- Сглобете частите в обратен ред на демонтирането.

10.3 Почистване на НВК

(фиг.6)

- Изключете електрическото захранване на помпата.
 - Отстранете дръжката, като развийте двата фиксиращи винта фиг. 6
 - Развийте 6-те винта от капака на напорната част фиг.7
 - Извадете капака на напорната част и филтъра против пясък фиг.8
 - Свалете невъзвратния клапан и го почистете от евентуални замърсявания фиг.9
- Сглобете частите в обратен ред на демонтирането.

11. ОТКРИВАНЕ НА ПОВРЕДИ



Преди да започнете да търсите повреди, е необходимо да прекъснете електрическото свързване на помпата (извадете щепсела от контакта). Ако захранващият кабел или която и да е част на помпата е повредена, операцията по ремонта или смяната трябва да се извършва от Производителя или от неговия отдел за техническо обслужване, или от лице с еквивалентна квалификация, за да се предотврати всеки риск.

Повреди	Причини	Решения
Помпата не се включва	A. Помпата не е включена в захранването B. НВК блокиран в отворена позиция C. Няма вода	A. Проверете захранването. B. Почистете НВК C. Възстановете нивото на водата
Помпата не черпи вода	A. Аспирационната решетка или тръбите са запушени. B. Роторът е износен или блокиран. C. Нужният напор е по-голям от характеристиките на помпата.	A. Отстранете запушванията B. Сменете ротора или отстранете причината за блокирането.
Дебитът не е достатъчен	A. Аспирационната решетка е частично запушена. B. Роторът или напорната тръбаса частично запушени или има отлагания по тях.	A. Отстранете евентуални запушвания. B. Отстранете евентуални запушвания.
Помпата спира (възможно е сработване на предпазния термопрекъсвач).	A. Течността за изпомпване е прекалено гъста и прегрява двигателя. B. Температурата на водата е прекалено висока. C. Твърдо тяло е блокирало ротора. D. Захранването не съответства на данните в идентификационната табела.	A.B.C.D. Изключете щепсела и отстранете причината, която е предизвикала прегряването, изчакайте помпата да се охладни и включете отново щепсела.

12. ГАРАНЦИЯ



Всяка промяна, за която нямате предварително разрешение, освобождава производителя от всякакъв вид отговорност. Всички резервни части, използвани при ремонтите, трябва да бъдат оригинални и всички принадлежности трябва да бъдат разрешени от производителя, за да може да се гарантира максималната безопасност на машините и на съоръженията, на които те могат да се монтират.

Този продукт има законова гаранция (в Европейската общност 24 месеца, считано от датата на покупката) за всички дефекти, дължащи се на фабрични дефекти или в използваните материали.

По преценка гаранционният продукт може да бъде или заменен с такъв в идеално работно състояние, или поправен безплатно, когато са спазени следните условия:

- продуктът е използван правилно и в съответствие с инструкциите и не е правен никакъв опит за ремонт от страна на купувача или на трети страни.
- продуктът е предаден на мястото, от където е закупен, заедно с приложен документ, удостоверяващ покупката (фактура или фискален бон) и с кратко описание на установения проблем.

Роторът и частите, подлежащи на износването, не са част от гаранцията. Интервенциите по време на гаранцията не удължават по никакъв начин първоначалния период.

OBSAH

1. APLIKACE	25
2. ČERPATELNÉ KAPALINY	25
3. TECHNICKÉ PARAMETRY A OMEZENÍ POUŽITÍ	25
4. SPRÁVA	26
4.1 Skladování	26
4.2 Přeprava	26
4.3 Hmotnost a rozměry	26
5. VAROVÁNÍ	26
6. INSTALACE	26
7. ELEKTRICKÉ ZAPOJENÍ	27
8. SPUŠTĚNÍ	27
9. OPATŘENÍ	27
10. ÚDRŽBA A ČIŠTĚNÍ	27
10.1 Čištění sacího filtru	28
10.2 Čištění oběžného kola	28
10.3 Čištění zpětné klapky (NRV)	28
11. VYHLEDÁVÁNÍ PORUCH	28
12. ZÁRUKA	28

VAROVÁNÍ



Před zahájením instalace si pozorně přečtěte kompletní dokumentaci



Před každým zásahem vytáhněte zástrčku ze zásuvky elektrické sítě. Jednoznačně se vyhněte chodu čerpadla nasucho.



Ochrana před přetížením. Čerpadlo je vybaveno tepelnou ochranou motoru. Pokud dojde k případnému přetížení motoru, ochrana motoru automaticky čerpadlo vypne. Doba potřebná k ochlazení motoru se pohybuje přibližně mezi 15-20 minutami, po ochlazení se čerpadlo automaticky zapne. Po zásahu ochrany motoru je nezbytně nutné vyhledat příčinu a odstranit ji. Konzultujte odstavec Vyhledávání závad.

1. APLIKACE

Vícetupňové ponorné čerpadlo s integrovanou elektronikou, určené pro použití v systémech dešťové vody a zavlažovacích sítích, pro čerpání vody z nádrží, cisteren a jezírek a pro aplikace v domácnosti, které vyžadují vysoký tlak. Díky kompaktnímu tvaru, s nímž se snadno manipuluje, nacházejí také speciální uplatnění jako přenosná čerpadla pro nouzové případy, jako je odběr vody z nádrží nebo řek, vyprazdňování bazénů a fontán. Jsou vhodné také pro zahradičení a kutilství jako takové.



Tato čerpadla nemohou být používána v bazénech, rybnících, vodních nádržích s přítomností osob ani pro čerpání uhlovodíků (benzín, nafta, topné oleje, rozpouštědla apod.) ve smyslu protiúrazových předpisů platných pro danou oblast. Před jejich uskladněním se doporučuje je vyčistit. Viz kapitola „Údržba a Čištění“.

2. ČERPATELNÉ KAPALINY

Čerstvá voda	•
Dešťová voda	•
Užitkové odpadní vody	○
Splaškové vody	○
Voda z bazénu nebo fontány	•
Voda z řeky nebo jezera	•
Max. rozměry částic [mm]	Ø 1

Tabulka 1

- Vhodné
- Nevhodné

3. TECHNICKÉ PARAMETRY A OMEZENÍ POUŽITÍ

- Napájecí napětí: 220-240V, viz štítek s elektrickými parametry
- Pomalé pojistky na ochranu elektrického přívodu (verze 220-240V): orientační hodnoty (v ampérech)
- Skladovací teplota: -10 ÷ +40 °C

Model	Pojistky na ochranu elektrického přívodu 220-240V- 50 Hz
P1=900	4
P1=1100	5

Tabulka 2

	Model	P1=900	P1=1100
Elektrické parametry	P1 Jmenovitý příkon [W]	900	1100
	P2 [W]	650	750
	Síťové napětí [V]	220-240V	220-240V
	Síťová frekvence [Hz]	50	50
	Proud [A]	3.8	4.8
	Kondenzátor [µF]	12.5	12.5
	Kondenzátor [Vc]	450	450
Vodní parametry	Max. průtok [l/min]	95	95
	Výtlačná výška [m]	36	46
	Dynamický tlak [bar]	3.6	4.6
	Max. hloubka ponoru [m]	12	12
	Min. hloubka ponoru [cm]	12	12
	Zapínací tlak [bar]	2.6+- 0.2	2.6+- 0.2
Provozní rozsah	Délka napájecího kabelu [m]	15	15
	Typ kabelu	H07 RNF	H07 RNF
	Třída ochrany motoru	IP 68	IP 68
	Třída izolace	B	B
	Teplotní rozsah kapaliny [°C] podle EN 60335-2-41 pro domácí použití	0 °C / +35 °C	0 °C / +35 °C
	Max. rozměry částic [mm]	Ø 1	Ø 1
	Max. teplota prostředí [°C]	+40 °C	+40 °C
Ostatní	Připojovací rozměr	1" (vnitřní)	1" (vnitřní)
	Čistá/hrubá hmotnost přibl. [kg]	10.8 / 12.8	10 / 12

Tabulka 3



Čerpadlo, které se neopírá o podstavec, nemůže snášet hmotnost potrubí, které musí být drženo jinak.

4. SPRÁVA

4.1 Skladování

Všechna čerpadla musí být skladována v krytém a suchém prostoru, dle možnosti s konstantní vlhkostí vzduchu, bez vibrací a prachu. Jsou dodávána ve svém původním obalu, ve kterém musí zůstat až do okamžiku instalace.

4.2 Přeprava

Nevystavujte výrobky zbytečným nárazům a kolizím.

4.3 Hmotnost a rozměry

Na samolepicím štítku, který je aplikován na obalu, je uvedena celková hmotnost elektročerpadla a jeho rozměry.

5. VAROVÁNÍ



Čerpadla nesmí být nikdy přepravována, zvedána nebo uváděna do chodu tak, že jsou zavěšena za napájecí kabel; pro tento účel používejte příslušnou rukojeť a dodané lano.

- Čerpadlo nesmí být nikdy uvedeno do chodu nasucho.
- Těsnicí zařízení obsahuje nejedovaté mazivo, které však může při úniku do vody z čerpadla narušit parametry vody, pokud se jedná o čistou vodu.

6. INSTALACE

Zašroubujte nipl s úchytem, který se nachází v obalu a který je vybaven potrubím s rozměry 3/4" a 1"; v případě, že se rozhodnete použít potrubí s větším průměrem, vyměňte spojku. Dále použijte stahovací pásku pro připevnění hadice k přípojce. Obr. 1

- Doporučuje se používat potrubí s minimálním vnitřním průměrem 3/4", aby se zabránilo poklesu výkonosti čerpadla.
- Aby se zabránilo ucpání sacích průchodů, doporučuje se pravidelně kontrolovat, zda se ve sběrné nádrži nenahromadily nečistoty (listy, písek apod.). Je vhodné počítat s minimální vzdáleností 20 cm ode dna, aby se zabránilo ucpání sací mřížky (obr. 2).
- Zasuňte zástrčku napájecího kabelu do zásuvky elektrické sítě s napětím 230 V.
- Čerpadlo musí být uvedeno do chodu výhradně tak, že je ponořeno ve vodě. Dodržte minimální ponor 12 cm. Pokud je voda vyčerpána, čerpadlo musí být okamžitě vypnuto.
- Čerpadlo musí být umístěno ve stabilní poloze ve sběrné nádrži nebo v každém případě v nejnižší položeném bodě v místě instalace.

- Zajištěte, aby měla sběrná jímka pro uložení čerpadla níže uvedené minimální rozměry:
Min. základní rozměry (mm) 150x150 mm / min. výška 800 mm - Obr. 2
- Rozměry nádrže musí být vždy navrženy v závislosti na množství přichozí vody a na průtoku čerpadla, aby motor nebyl vystavován nadměrnému počtu spuštění/hodinu; důsledně se doporučuje nepřekročit 20 spuštění/hodinu.



Čerpadlo musí být nainstalováno ve svislé poloze!

7. ELEKTRICKÉ ZAPOJENÍ



Délka napájecího kabelu, který se nachází na čerpadle, omezuje maximální ponornou hloubku při použití samotného čerpadla. Dodržujte údaje uvedené na štítku s technickými parametry a v tabulce 3 tohoto návodu.

8. SPUŠTĚNÍ

Elektronika automaticky ovládá zapnutí a vypnutí (ZAP./VYP.) čerpadla v závislosti na požadavku na vodu ze strany uživatele.

Elektronická jednotka chrání čerpadlo před chodem nasucho.

- Nasávací fáze: během fáze nasávání čerpadlo provádí čtyři pokusy trvajících 30 sekund (motor ON) oddělené pauzami 3 sekundy (motor OFF). V případě nedostatku vody čerpadlo se zastaví na hodinu a pak se znovu pokusí o nasávání. Pokud se tento pokus nezdaří, pauza se prodlouží na 5 hodin a pak systém opakuje pokus o nasávání každých 24 hodin, až do chvíle, kdy hladina vody dosáhne úrovně dostatečné pro normální provoz.
- Normální provoz: Pokud je během provozu po dobu 40 sekund přísun vody nižší než minimální průtok, čerpadlo se uvede do poplašného stavu a zastaví se na 1 hodinu. Potom, pokud hladina vody zůstane nedostatečná, čerpadlo vstoupí do fáze nasávání.

Elektronická část chrání čerpadlo před poruchami zpětného ventilu (NRV), které jsou obvykle způsobeny nánosy špíny nebo písku. Nánosy zabraňují zpětnému ventilu, aby se uzavřel a systém pokračuje ve funkci, i pokud chybí voda. V našem případě se čerpadlo každou hodinu vypne; za normálních podmínek uživatel zaznamená pouze lehký pokles tlaku v trvání několika sekund. Pokud se ventil zablokuje, čerpadlo se zablokuje v poplašném stavu a může být uvedeno do funkce, až po odstranění příčiny ucpaní.

Kontrola průtoku:

Kontrola průtoku vypne čerpadlo v případě chybějícího odběru vody. Když se vyskytnou úniky na tlakové straně (např. netěsný ventil vody nebo netěsná hadice), dojde k zapnutí a vypnutí čerpadla v krátkých časových intervalech. Když dojde k zapnutí a vypnutí čerpadla více než 7krát v průběhu 2 minut (v případě úniku < 6 l/h), bude vypnuto úplně. Po odstranění úniku na tlakové straně pro obnovení použití čerpadla proveďte jeho vypnutí a zapnutí.

Ideální provozní situace je při zcela ponořeném čerpadle; chladicí systém motoru umožňuje krátkodobou funkci až do minimální sací výšky (50 mm).

Čerpadlo je opatřeno filtrem na zachycování nečistot z korozi-vzdorné oceli.

9. OPATŘENÍ

NEBEZPEČÍ ZAMRZNUTÍ: Když čerpadlo zůstane vypnuto při teplotě nižší než 0 °C, je třeba se ujistit, že se v něm nenacházejí zbytky vody, které by při zamrznutí mohly způsobit praskliny v plastových součástech.

Když bylo čerpadlo použito s látkami, které mají tendenci vytvářet nánosy, nebo s chlorovanou vodou, po použití jej opláchněte silným proudem vody tak, aby se zabránilo vytváření nánosů nebo inkrustací, které by měly tendenci snižovat parametry čerpadla.

10. ÚDRŽBA A ČIŠTĚNÍ

Elektročerpadlo nevyžaduje během běžné činnosti žádný druh údržby. V každém případě je třeba úkony opravy a údržby provádět výhradně po odpojení čerpadla od napájecí sítě. Při opětovném uvedení čerpadla do chodu se vždy ujistěte, že je namontován sací filtr, aby neohrozilo nebezpečí nebo možnost náhodného styku s pohyblivými se součástmi.

10.1 Čištění sacího filtru

- Vypněte elektrické napájení čerpadla.
- Proveďte odvodnění čerpadla.
- Vyčistěte jej proudem vody a kartáčem.

10.2 Čištění oběžného kola

- Vypněte elektrické napájení čerpadla.
- Proveďte odvodnění čerpadla.
- Odšroubujte 8 upevňovacích šroubů na spodní části filtru - obr. 3.
- Odložte spodní část a filtr - obr. 4.
- Přidržete oběžné kolo a odšroubujte matici - obr. 5.
- Vyjměte oběžné kolo, difuzor, kroužek a o-kroužek.
- Zopakujte uvedený postup pro všechna oběžná kola.
- Opláchněte čerpadlo čistou vodou, abyste odstranili možné nečistoty mezi motorem a pláštěm čerpadla.
- Vyčistěte oběžné kolo.
- Zkontrolujte, zda se oběžné kolo otáčí volně.
- Proveďte montáž jednotlivých součástí dle postupu pro demontáž, ale v opačném pořadí.

10.3 Čištění zpětné klapky (NRV)

(Obr.6)

- Vypněte elektrické napájení čerpadla.
- Odmontujte rukojeť odšroubováním dvou upevňovacích šroubů - obr. 6.
- Odšroubujte 6 šroubů z přítokového víka - obr. 7.
- Vyjměte přítokové víko a pískový filtr - obr. 8.
- Sejměte zpětný ventil a vyčistěte jej od případných nečistot - obr. 9. Proveďte montáž jednotlivých součástí dle postupu pro demontáž, ale v opačném pořadí.

11. VYHLEDÁVÁNÍ PORUCH



Před zahájením vyhledávání závad musíte odpojit čerpadlo od přívodu elektrického proudu (vytáhněte zástrčku ze zásuvky). Pokud je napájecí kabel nebo kterákoliv elektrická součást čerpadla poškozena, oprava nebo výměna musí být provedena výrobcem nebo jeho technickým servisem nebo osobou s odpovídající kvalifikací, zamezíte tak jakémukoliv nebezpečí.

Závady	Kontrola (možné příčiny)	Náprava
Nedochází k zapnutí čerpadla.	A. Čerpadlo není napájeno. B. Zpětný ventil je zablokovaný v poloze otevření. C. Chybí voda.	A. Zkontrolujte napájení. B. Vyčistěte zpětný ventil. C. Obnovte hladinu vody.
Čerpadlo nečerpá	A. Mřížka sání nebo hadice jsou zaneseny. B. Oběžné kolo je opotřebované nebo zablokované. C. Požadovaná výtlačná výška je vyšší než hodnota příslušného parametru čerpadla.	A. Odstraňte překážky. B. Vyměňte oběžné kolo anebo odstraňte zablokování. C. Vyměňte čerpadlo za jiné s vyšší výtlačnou výškou.
Čerpadlo má nedostatečný výkon	A. Zkontrolujte, zda nedošlo k částečnému zanesení mřížky sání. B. Zkontrolujte, zda nedošlo k částečnému zanesení nebo ucpání oběžného kola nebo výtlačné hadice.	A. Odstraňte zanesení mřížky. B. Odstraňte zanesení nebo ucpání.
Čerpadlo se zastavilo (pravděpodobně zasáhla tepelná ochrana motoru).	A. Zkontrolujte, zda není čerpaná kapalina příliš hustá, protože by způsobovala přehřívání motoru. B. Zkontrolujte, zda teplota vody není příliš vysoká. C. Zkontrolujte, zda žádná pevná částice neblokuje oběžné kolo D. Hodnoty napájení neodpovídají údajům uvedeným na štítku s technickými údaji.	A.B.C.D. Odpojte od sítě a odstraňte příčinu, která způsobila přehřátí, vyčkejte, až se čerpadlo ochladí a znovu připojte k síti.

12. ZÁRUKA



Jakákoli změna, která nebyla autorizována předem, zbavuje výrobce jakékoli odpovědnosti. Všechny náhradní díly použité při opravách musí být originální a veškeré příslušenství musí být autorizováno výrobcem, aby mohla být zajištěna maximální bezpečnost strojů a zařízení, na kterých tyto stroje mohou být namontovány.

Na tento výrobek se vztahuje právní záruka (v Evropském společenství po dobu 24 měsíců od data zakoupení) na všechny vady, které lze přisoudit výrobním vadám nebo použitému materiálu.

Výrobek v záruce bude možné na základě nenapadnutelného rozhodnutí buď vyměnit za jiný v dokonale funkčním stavu, nebo bezplatně opravit, pokud byly dodrženy níže uvedené podmínky:

- výrobek byl používán správným způsobem, v souladu s návodem, a nebyl proveden žádný pokus o opravu kupujícím nebo třetí stranou;
- výrobek byl doručen do prodejního místa, ve kterém byl zakoupen, s příložením dokladu, který potvrzuje zakoupení (faktura nebo účtenka), a se stručným popisem zaznamenaného problému.

Záruka se nevztahuje na součásti podléhající opotřebení, což je zejména oběžné kolo, ucpávky a těsnění.

INDHOLDSFORTEGNELSE

1. ANVENDELSESOMRÅDER	29
2. VÆSKER, DER KAN PUMPES	29
3. TEKNISKE SPECIFIKATIONER OG BRUGSBEGRÆNSNINGER	29
4. ADMINISTRATION	30
4.1 Opmagasinerings	30
4.2 Transport	30
4.3 Vægt og dimension	30
5. ADVARSLER	30
6. INSTALLATION	30
7. ELEKTRISK TILSLUTNING	31
8. IGANGSÆTNING	31
9. FORHOLDSREGLER	31
10. VEDLIGEHOLDELSE OG RENGØRING	31
10.1 Rengøring af sugefilteret	32
10.2 Rengøring af pumpehjulet	32
10.3 Rengøring af kontraventilen	32
11. FEJLFINDING	32
12. GARANTI	32

ADVARSLER



Læs hele dokumentationen med omhu, inden installationen iværksættes:



Træk altid stikket ud før et indgreb. Undgå med omhu, at pumpen fungerer uden væske:



Overbelastningsbeskyttelse. Pumpen er udstyret med et termisk motorværn. Motorværnet slukker automatisk for pumpen i tilfælde af eventuel overophedning af motoren. Afkølingen varer cirka 15-20 min. hvorefter pumpen tænder igen. Det er strengt nødvendigt at finde frem til og eliminere årsagen til motorværnets indgreb. Jfr. Fejlfinding.

1. ANVENDELSESOMRÅDER

Multistade-dykpumpe med indbygget elektronik, ideel til anvendelse i regnvandssystemer og vandingsanlæg, til at pumpe vand fra tanke, cisterner og damme, samt til andre husholdningsformål med behov for et højt tryk.

I kraft af den kompakte og let anvendelige udformning, kan den også anvendes som bærbar pumpe til særlige opgaver i nødsituationer, så som pumpning af vand fra tanke eller vandløb, tømning af swimmingpool og fontæner. Også velegnet til have- eller hobbybrug generelt.



Disse pumper må ikke anvendes til swimmingpools, damme eller bassiner, hvis der er personer heri, eller til pumpning af kulbrinte (benzin, diesel, brændbar olie, opløsningsmidler, etc.) i henhold til de gældende sikkerhedsforskrifter for området. Det er en god regel, at foretage en grundig rengøring, inden de stilles til opbevaring. Jfr. kapitlet "Vedligeholdelse og rengøring".

2. VÆSKER, DER KAN PUMPES

Frisk vand	•
Regnvand	•
Rent spildevand	○
Snavset vand	○
Fontænevand	•
Å- eller søvand	•
Max. partikelstørrelse [mm]	Ø 1

Tabel 1

- Egned
- Uegnet

3. TEKNISKE SPECIFIKATIONER OG BRUGSBEGRÆNSNINGER

- Forsyningsspænding: 220-240V, jfr. el-dataskilt
- Forsinkede ledningssikringer (version 220-240V):
Vejledende værdier (Ampere)
- Opbevaringstemperatur: -10°C +40°C

Model	Ledningssikringer 220-240V 50Hz
P1=900	4
P1=1100	5

Tabel 2

DANSK

	Model	P1=900	P1=1100
El-data	P1 Nominal mærkeeffekt [W]	900	1100
	P2 [W]	650	750
	Netværksspænding [V]	220-240V	220-240V
	Netværksfrekvens [Hz]	50	50
	Strøm [A]	3.8	4.8
	Kondensator [µF]	12.5	12.5
	Kondensator [Vc]	450	450
Hydrauliske data	Max. kapacitet [l/min]	95	95
	Max. løftehøjde [m]	36	46
	Max. løftehøjde [bar]	3.6	4.6
	Max. nedsænkingsdybde [m]	12	12
	Min. nedhængsdybde [cm]	12	12
	Tændingstryk [bar]	2.6+ 0.2	2.6+ 0.2
Brugsområde	Længde Forsyningskabel [m]	15	15
	Kabeltype	H07 RNF	H07 RNF
	Beskyttelsesgrad	IP 68	IP 68
	Isoleringsklasse	B	B
	Væsketemperaturområde [°C] i henhold til EN 60335-2-41 til husholdningsbrug	0 °C / +35 °C	0 °C / +35 °C
	Max. partikelstørrelse [mm]	Ø 1	Ø 1
	Max. omgivelsestemperatur [°C]	+40 °C	+40 °C
Vægt	DNM GAS	1" F	1" F
	Netto-/bruttovægt ca. [kg]	10.8 / 12.8	10 / 12

Tabel 3.



Hvis pumpen ikke hviler på et underlag, er den ikke i stand til at understøtte rørledningernes vægt, som derfor skal understøttes på anden vis.

4. ADMINISTRATION

4.1 Opmagasinerings

Alle pumperne skal opmagasineres på et lukket, tørt sted, om muligt ved en konstant luftfugtighed, beskyttet mod vibrationer og støv. De leveres i deres originale emballage, og skal opbevares heri, indtil de installeres.

4.2 Transport

Undgå at udsætte produktet for unødvendige slag og stød.

4.3 Vægt og dimension

Elektropumpens totalvægt og dens dimensioner er anført på mærkatet på emballagen.

5. ADVARSLER



Pumperne må aldrig transporteres, løftes eller anvendes hængende ved hjælp af forsyningskablet, benyt det dertil beregnede håndtag og det medfølgende tov.

- Pumpen må aldrig fungere uden vand.
- Tætningsanordningen indeholder et ugiftigt smøremiddel, der dog vil kunne påvirke vandets egenskaber, i tilfælde af rent vand, hvis der skulle forekomme udslip fra pumpen.

6. INSTALLATION

Skru niplen med koblingen, der findes i emballagen, og som er egnet til rørledninger med dimensionerne ¾" og 1" på, hvis der skal anvendes en rørledning med en større diameter skal samlestykket udskiftes. Anvend et slangebinderbånd til at fastspænde rørledningen til koblingen. Fig.1

- Det anbefales at anvende rørledninger med en intern diameter på mindst ¾" mm, for at undgå reducerede pumpeydelse.
- Med henblik på at undgå tilstopning af sugepassagerne, anbefales det, med jævne mellemrum, at kontrollere, at der ikke er ophobet snavs (blade, sand, etc.) i opsamlingscisternen. Det er hensigtsmæssigt, at forudse en minimumsafstand på 20 cm, for at undgå tilstopning af sugegitteret (Fig.2)
- Sæt forsyningskablets stik i en stikkontakt med strøm på 230 V.
- Pumpen må kun aktiveres, hvis den er dækket af vand. Tag højde for en nedhængsdybde på mindst 12 cm. Hvis vandet opbruges skal pumpen øjeblikkeligt stoppes, ved at koble el-stikket fra.

DANSK

- Pumpen skal være anbragt i en stabil position i en opsamlingscisterne, eller under alle omstændigheder i det laveste punkt i installationslokalet.
- Sørg for at opsamlingscisternens dimensioner har de følgende minimumsdimensioner:
Bunddimensioner min. (mm) 150x150 / Højde min. (mm) 800
- Cisternen skal altid dimensioneres såvel i funktion af vandmængden i ankomst, som af pumpens kapacitet, således at motoren ikke udsættes for et overdrevent antal igangsætninger/timen, der ikke bør overstige 20 igangsætninger/timen.



Pumpen skal installeres i den lodrette position!

7. ELEKTRISK TILSLUTNING



Længden på pumpens forsyningskabel begrænser den maksimale dykdybde under brug af selve pumpen. Overhold anvisningerne, som er anført på mærkeskiltet og i tabel 3 i denne vejledning.

8. IGANGSÆTNING

Elektronikken styrer automatisk tænding og slukning (ON/OFF) af pumpen, i funktion af aftagerens behov for vand.

Elektronikken beskytter applikationen mod funktion uden vand:

- Spædefase: Under spædefasen foretager pumpen fire forsøg på 30" (motor ON), med en mellemliggende pause på 3" (motor OFF). Hvis der mangler vand vil pumpen stoppe i en time, og foretager herefter et nyt forsøg på spædning. Hvis dette forsøg mislykkes forlænges pausen til 5 timer, hvorefter applikationen gentager forsøget på spædning hver 24. time, indtil vandstanden er tilstrækkelig til at tillade den normale funktion.
- Normal funktion: hvis vandforbruget er lavere end minimumstilførslen i 40" under funktion, indtager pumpen alarmstatus og stopper i 1 time. Herefter går pumpen i spædefasen, hvis vandstanden stadig er utilstrækkelig.

Elektronikken beskytter pumpen mod skader på kontraventilen (NRV), som generelt forårsages af smuds- eller sandbelægninger. Belægningerne forhindrer kontraventilen i at lukke, og applikationen fortsætter derfor med at fungere, også selvom vandet mangler. I dette tilfælde slukkes pumpen automatisk hver time; hvis alt er normalt bemærker brugeren blot en svag trykreduktion, der varer få sekunder. Hvis kontraventilen derimod er blokeret, indtager pumpen alarmstatus og kan først startes igen, når blokeringens årsager er elimineret.

Kapacitetskontrol:

Kapacitetskontrollen inaktiverer pumpen i tilfælde af manglende vandopsugning. Hvis der forekommer lækage på tryksiden (f.eks. utætte vandhaner eller vandslanger) vil pumpen tænde og slukke med korte tidsintervaller. Hvis pumpen tænder og slukker over 7 gange i løbet af 2 minutter (i tilfælde af tab < 6l/t), vil den slukke fuldstændigt. Efter at have elimineret lækagen på tryksiden, skal pumpen slås fra og til igen, indtil det igen er muligt at anvende den.

Den ideelle arbejdsituation forudsætter at pumpen er helt nedsænket; motorens kølesystem tillader dog brug op til opsugningens minimumshøjde (50 mm) i korte perioder.

Pumpen er udstyret med et smudsfilter af rustfrit stål.

9. FORHOLDSREGLER

FARE FOR FROST: Hvis pumpen forbliver inaktiv ved en temperatur på under 0°C, er det nødvendigt, at forsikre sig om at der ikke er vand heri, da der kan opstå revner på plastikdelene, hvis vandet fryser til is.

Hvis pumpen er blevet anvendt til stoffer med en tendens til at aflejre sig, eller til klorvand, skal den skylles efter brug med en kraftig vandstråle, for at undgå at der dannes sig aflejringer eller belægninger, som vil kunne reducere pumpens egenskaber.

10. VEDLIGEHOLDELSE OG RENGØRING

Under normal funktion har elektropumpen intet behov for vedligeholdelse. Ethvert reparations- eller vedligeholdelsesindgreb må under alle omstændigheder først udføres, efter at pumpen er blevet koblet fra strømforsyningen. Når pumpen genstartes, skal man altid forsikre sig om at sugefilteret er monteret, for ikke at skabe fare eller mulighed for utilsigtet berøring af de bevægelige dele.

10.1 Rengøring af sugefilteret

- Frakobl pumpens strømforsyning.
- Dræn pumpen
- Rengør med en vandstråle og en børste

10.2 Rengøring af pumpehjulet

- Frakobl pumpens strømforsyning.
- Dræn pumpen
- Skru de 8 fæsteskrue på filtersoklen ud fig. 3.
- Fjern soklen og filteret fig. 4
- Hold pumpehjulet fast og skru møtrikken ud fig. 5
- Træk pumpehjulet, dysen, ringen og O-ringen af.
- Gentag handlingen på alle pumpehjulene
- Vask pumpen med rent vand, for at eliminere eventuelle urenheder mellem motoren og pumpekappen.
- Rengør pumpehjulet.
- Kontrollér at pumpehjulet drejer frit.
- Montér delene i omvendt rækkefølge af demonteringen

10.3 Rengøring af kontraventilen

(Fig.6)

- Frakobl pumpens strømforsyning.
 - Tag grebet af, ved at løsne de to fæsteskrue fig. 6
 - Skru de 6 skrue på tryksidens dæksel ud fig. 7
 - Tag tryksidens dæksel af og sandfilteret ud fig. 8
 - Tag kontraventilen ud og rens den for eventuelt snavs fig. 9
- Montér delene i omvendt rækkefølge af demonteringen

11. FEJLFINDING



Det er nødvendigt at afskære pumpens elektriske forbindelse (træk stikket ud af kontakten), før fejlfindingen påbegyndes. Hvis forsyningskablet eller en hvilken som helst af pumpens elektriske komponenter er beskadiget, skal reparationen eller udskiftningen foretages af Fabrikanten eller af dennes tekniske servicecenter, eller af en faglært person, med henblik på at forebygge enhver risiko.

Fejl	Årsager	Løsninger
Pumpen tænder ikke	A. Pumpen er ikke forsynet B. Kontraventil blokeret i åben position C. Vandmangel	A. Kontrollér forsyningen B. Rengør kontraventilen C. Genopret vandstanden
Pumpen leverer ikke vand	A. Sugegitteret eller rørledningerne er tilstoppede. B. Pumpehjulet er slidt eller blokeret. C. Den påkrævede løftehøjde overstiger pumpens egenskaber.	A. Eliminér tilstopningerne B. Udskift pumpehjulet eller eliminér blokeringerne
Kapaciteten er utilstrækkelig	A. Sugegitteret er delvist tilstoppet. B. Pumpehjulet eller tilførselsslangen er delvist tilstoppede eller belagte.	A. Eliminér eventuelle tilstopninger. B. Eliminér eventuelle tilstopninger.
Pumpen standser (muligt indgreb af termosikring)	A. Den pumpede væske er for tyktflydende og overopheder motoren. B. Vandtemperaturen er for høj. C. Et eller andet blokerer pumpehjulet. D. Forsyning i uoverensstemmelse med mærkedata.	A.B.C.D. Træk stikket ud og fjern årsagen, der har medført overophedningen, afvent at pumpen afkøles og sæt stikket i igen.

12. GARANTI



Enhver modifikation, som ikke er autoriseret på forhånd af fabrikanten, fritager denne for ethvert ansvar. Alle de anvendte reservedele, i forbindelse med reparation, skal være originale, og alt anvendt udstyr skal være autoriseret af fabrikanten, med henblik på at kunne garantere den maksimale sikkerhed for maskinerne og de anlæg, som disse kan monteres på.

Dette produkt er dækket af en garanti (i 24 måneder fra købsdato i det Europæiske Fællesskab) hvad angår alle defekter, som kan henledes til fabriksfejl eller materialeskavanker. Under garantien kan produktet, efter fabrikantens skøn, enten blive udskiftet med et i perfekt funktionsstand eller blive repareret gratis, hvis de følgende forhold er opfyldt:

- Produktet er blevet anvendt korrekt, i overensstemmelse med anvisningerne og uden at der, hverken af køber eller af tredjepart, er blevet foretaget reparationsforsøg herpå.
- Produktet er blevet overdraget til salgsstedet med vedlagt dokumentation, der attesterer købet (faktura eller kassebon) samt en kort beskrivelse af det foreliggende problem.

Pumpehjulet og andre sliddele indgår ikke i garantien. Indgreb under garanti ændrer i intet tilfælde garantiens oprindelige varighed.

ΠΕΡΙΕΧΟΜΕΝΑ

1. ΕΦΑΡΜΟΓΕΣ.....	33
2. ΑΝΤΛΗΣΙΜΑ ΥΓΡΑ.....	33
3. ΤΕΧΝΙΚΑ ΧΑΡΑΚΤΗΡΙΣΤΙΚΑ ΚΑΙ ΠΕΡΙΟΡΙΣΜΟΙ ΧΡΗΣΗΣ.....	33
4. ΔΙΑΧΕΙΡΙΣΗ.....	34
4.1 Αποθήκευση.....	34
4.2 Μεταφορά.....	34
4.3 Βάρος και διαστάσεις.....	34
5. ΠΡΟΕΙΔΟΠΟΙΗΣΕΙΣ.....	34
6. ΕΓΚΑΤΑΣΤΑΣΗ.....	34
7. ΗΛΕΚΤΡΙΚΗ ΣΥΝΔΕΣΜΟΛΟΓΙΑ.....	35
8. ΘΕΣΗ ΣΕ ΛΕΙΤΟΥΡΓΙΑ.....	35
9. ΠΡΟΛΗΠΤΙΚΑ ΜΕΤΡΑ.....	35
10. ΣΥΝΤΗΡΗΣΗ ΚΑΙ ΚΑΘΑΡΙΣΜΟΣ.....	35
10.1 Καθαρισμός του φίλτρου αναρρόφησης.....	36
10.2 Καθαρισμός της φτερωτής.....	36
10.3 Καθαρισμός της Ανασταλτικής Βαλβίδας (NRV).....	36
11. ΑΝΑΖΗΤΗΣΗ ΒΛΑΒΩΝ.....	36
12. ΕΓΓΥΗΣΗ.....	36

ΠΡΟΕΙΔΟΠΟΙΗΣΕΙΣ



Πριν προχωρήσετε στην εγκατάσταση διαβάστε με προσοχή όλα τα έγγραφα:



Να αποφεύγετε αυστηρά την ξηρά λειτουργία της αντλίας



Προστασία από υπερφόρτωση. Η αντλία διαθέτει θερμική προστασία κινητήρα. Σε περίπτωση ενδεχόμενης υπερθέρμανσης του κινητήρα, η προστασία κινητήρα σβήνει την αντλία αυτόματα. Ο χρόνος ψύξης είναι περίπου 15-20 λεπτά, μετά από τα οποία η αντλία ξανανάβει αυτόματα. Μετά την επέμβαση της προστασίας κινητήρα απαιτείται αυστηρά να αναζητήσετε την αιτία και να την εξαλείψετε. Συμβουλευτείτε την Αναζήτηση Βλαβών.

1. ΕΦΑΡΜΟΓΕΣ

Πολυβάθμια υποβρύχια αντλία με ενσωματωμένο ηλεκτρονικό σύστημα, ιδανική για χρήση σε συστήματα ομβρίων υδάτων και δικτύων άρδευσης, για άντληση νερού από νεποζίτα, δεξαμενές, λίμνες και για άλλες οικιακές εφαρμογές που απαιτούν υψηλή πίεση.

Χάρη στο συμπαγές και εύχρηστο σχήμα τους μπορούν να χρησιμοποιηθούν επίσης ως φορητές αντλίες σε περιπτώσεις έκτακτης ανάγκης όπως άντληση νερού από πηγάδια ή ποτάμια, εκκένωση πισίνας και σιντριβανιών. Ενδείκνυται επίσης για κηπευτικές εργασίες και διάφορα χόμπι γενικά.



Οι αντλίες αυτές δεν επιτρέπεται να χρησιμοποιηθούν σε πισίνες, έλη, ή δεξαμενές με παρουσία ατόμων, ή για την άντληση υδρογονανθράκων (βενζίνη, πετρέλαιο, καυσέλαια, διαλύτες, κλπ.), σύμφωνα με τις κείμενες διατάξεις πρόληψης ατυχημάτων. Πριν τις αποθηκεύσετε θα ήταν καλό να μεριμνήσετε μία φάση για τον καθαρισμό τους. Βλέπε κεφάλαιο “Συντήρηση και Καθαρισμός”.

2. ΑΝΤΛΗΣΙΜΑ ΥΓΡΑ

Καθαρό νερό	•
Βρόχινο νερό	•
Ακάθαρτα νερά (λουτρά και κουζίνες):	○
Ακάθαρτα νερά	○
Νερό σε σιντριβάνι	•
Νερό από ποταμό ή λίμνη	•
Διάσταση των σωματιδίων max. [mm]	Ø 1

Πίνακας 1

- Κατάλληλο
- Ακατάλληλο

3. ΤΕΧΝΙΚΑ ΧΑΡΑΚΤΗΡΙΣΤΙΚΑ ΚΑΙ ΠΕΡΙΟΡΙΣΜΟΙ ΧΡΗΣΗΣ

- **Τάση τροφοδοσίας: 220-240V**, διαβάστε την πινακίδα με τα ηλεκτρικά χαρακτηριστικά
- **Ασφάλειες γραμμής με καθυστέρηση (μοντέλο 220-240V):** ενδεικτικές τιμές (Ampere)
- **Θερμοκρασία αποθήκευσης:** -10°C +40°C

μοντέλο	Ασφάλειες γραμμής 220-240V 50Hz
P1=900	4
P1=1100	5

Πίνακας 2

	Μοντέλο	P1=900	P1=1100
Ηλεκτρικά Στοιχεία	P1 Ονομαστική απορροφούμενη ισχύς [W]	900	1100
	P2 [W]	650	750
	Τάση δικτύου [V]	220-240V	220-240V
	Συχνότητα δικτύου [Hz]	50	50
	Ρεύμα [A]	3.8	4.8
	Συμπυκνωτής [μF]	12.5	12.5
	Συμπυκνωτής [Vc]	450	450
Υδραυλικά Στοιχεία	Μέγιστη παροχή [l/min]	95	95
	Μανομετρικό ύψος max. [m]	36	46
	Μανομετρικό ύψος max. [bar]	3.6	4.6
	Max. βάθος βύθισης [m]	12	12
	Min. ύψος κατάδυσης [cm]	12	12
	Πίεση εκκίνησης [bar]	2.6+- 0.2	2.6+- 0.2
Πεδίο χρήσης	Μήκος Καλωδίου τροφοδοσίας [m]	15	15
	Τύπος καλωδίου	H07 RNF	H07 RNF
	Βαθμός προστασίας του κινητήρα	IP 68	IP 68
	Κλάση μόνωσης	B	B
	Πεδίο θερμοκρασίας του υγρού [°C] σύμφωνα με το EN 60335-2-41 για οικιακή χρήση	0 °C / +35 °C	0 °C / +35 °C
	Διάσταση των μορίων max. [mm]	Ø 1	Ø 1
	Max. Θερμοκρασία περιβάλλοντος (° C)	+40 °C	+40 °C
Βάρος	DNM (Διάμετρος Παροχής) ΑΕΡΙΟΥ	1" F	1" F
	Καθαρό/Μικτό Βάρος περίπου [kg]	10.8 / 12.8	10 / 12

Πίνακας 3



Η αντλία που δεν στηρίζεται σε μία βάση δεν μπορεί να σηκώσει το βάρος των σωληνώσεων που, στην περίπτωση αυτή, πρέπει να υποστηριχτούν διαφορετικά.

4. ΔΙΑΧΕΙΡΙΣΗ

4.1 Αποθήκευση

Όλες οι αντλίες πρέπει να αποθηκεύονται σε σκεπαστό στεγνό χώρο, αν είναι δυνατόν με σταθερή υγρασία του αέρα, χωρίς κραδασμούς και θορύβους. Προμηθεύονται στην αρχική συσκευασία τους, στην οποία πρέπει να παραμείνουν μέχρι τη στιγμή εγκατάστασης.

4.2 Μεταφορά

Φροντίστε να μην κτυπήσουν οι συσκευές.

4.3 Βάρος και διαστάσεις

Η αυτοκόλλητη πινακίδα που βρίσκεται επάνω στη συσκευασία αναφέρει την ένδειξη του συνολικού βάρους της ηλεκτροκίνητης αντλίας και των διαστάσεών της.

5. ΠΡΟΕΙΔΟΠΟΙΗΣΕΙΣ



Οι αντλίες δεν πρέπει ποτέ να μεταφέρονται, να ανυψώνονται ή να λειτουργούν αναρτημένες από το καλώδιο τροφοδοσίας, χρησιμοποιείτε το ειδικό χερούλι και το κορδόνι που παρέχεται με τον εξοπλισμό.

- Η αντλία δεν πρέπει ποτέ να λειτουργεί χωρίς υγρό.
- Το εξάρτημα στεγανότητας περιέχει ατοξικό λιπαντικό, το οποίο όμως σε περίπτωση διαρροής από την αντλία, μπορεί να αλλοιώσει τα χαρακτηριστικά του νερού, όταν πρόκειται για καθαρό νερό.

6. ΕΓΚΑΤΑΣΤΑΣΗ

Βιδώστε το μαστό με σύνδεσμο που υπάρχει στη συσκευασία, ο οποίος είναι κατάλληλος για σωληνώσεις με διαστάσεις ¾" και 1", σε περίπτωση που θέλετε να χρησιμοποιήσετε σωλήνωση με μεγαλύτερη διάμετρο, αντικαταστήστε το ρακόρ. Επίσης χρησιμοποιήστε ένα κολάρο σύσφιξης του σωλήνα για να στερεώσετε το σωλήνα στο σύνδεσμο. Εικ.1

- Συνιστάται η χρήση σωληνώσεων με ελάχιστη εσωτερική διάμετρο ¾" mm για να αποφύγετε τη μείωση των αποδόσεων της αντλίας.
- Για να αποφύγετε το φράξιμο των σημείων αναρρόφησης, συνιστάται να ελέγχετε περιοδικά ότι στη δεξαμενή συλλογής δεν έχουν συσσωρευτεί ακαθαρσίες (φύλλα, άμμος, κλπ.). Είναι σκόπιμο να προβλέψετε μία ελάχιστη απόσταση 20 cm για να αποφύγετε να φράξει η σχάρα αναρρόφησης (Εικ.2).
- Εισάγετε το φως του καλωδίου τροφοδοσίας σε μία ηλεκτρική πρίζα 230 V.

ΕΛΛΗΝΙΚΑ

- η αντλία πρέπει να ενεργοποιείται μόνον εάν είναι βυθισμένη στο νερό. Λάβετε υπόψη ελάχιστη κατάδυση 12 cm. Εάν το νερό εξαντληθεί η αντλία πρέπει να σταματήσει αμέσως αποσυνδέοντάς την από την ηλεκτρική πρίζα.
- Η αντλία πρέπει να βρίσκεται σε μία σταθερή θέση στο εσωτερικό της δεξαμενής συλλογής ή σε κάθε περίπτωση στο πιο χαμηλό σημείο του χώρου εγκατάστασης.
- Φροντίστε η δεξαμενή στην οποία θα τοποθετηθεί η αντλία να έχει ελάχιστες διαστάσεις σύμφωνα με τις ακόλουθες τιμές **Διαστάσεις βάσης min. (mm) 150x150 / Ύψος min. (mm) 800 Εικόνα 2**
- Η δεξαμενή θα πρέπει να έχει πάντα διαστάσεις κατάλληλες για την ποσότητα εισερχόμενου νερού και την παροχή της αντλίας έτσι ώστε ο κινητήρας να μην υποβάλλεται σε υπερβολικές εκκινήσεις/ώρα. Συνιστάται αυστηρά να μην υπερβαίνετε τις 20 εκκινήσεις/ώρα.



Η αντλία πρέπει να εγκατασταθεί σε κατακόρυφη θέση!

7. ΗΛΕΚΤΡΙΚΗ ΣΥΝΔΕΣΜΟΛΟΓΙΑ



Το μήκος του καλωδίου τροφοδοσίας της αντλίας αντιστοιχεί στο μέγιστο επιτρεπτό βάθος εμβάπτισης. Ακολουθήστε τις ενδείξεις που αναφέρονται στην τεχνική πινακίδα και στον πίνακα 3 του παρόντος εγχειριδίου.

8. ΘΕΣΗ ΣΕ ΛΕΙΤΟΥΡΓΙΑ

Το ηλεκτρονικό σύστημα ελέγχει αυτόματα το άναμμα και το σβήσιμο (ON/OFF) της αντλίας σε συνάρτηση με τη ζήτηση νερού από την πλευρά του χρήστη.

Το ηλεκτρονικό σύστημα προστατεύει την εφαρμογή από την ξηρά λειτουργία

- Φάση αρχικής πλήρωσης αντλίας: κατά τη φάση αρχικής πλήρωσης, η αντλία εκτελεί τέσσερις προσπάθειες 30" (κινητήρας ON) ανά διαστήματα παύσης 3" (κινητήρας OFF). Σε περίπτωση που δεν υπάρξει νερό, η αντλία σταματάει για μία ώρα και στη συνέχεια κάνει μία νέα προσπάθεια αρχικής πλήρωσης. Εάν αποτύχει αυτή η προσπάθεια, η παύση γίνεται 5 ώρες, στη συνέχεια η εφαρμογή επαναλαμβάνει την προσπάθεια αρχικής πλήρωσης κάθε 24 ώρες μέχρι να γίνει επαρκής η στάθμη του νερού ώστε να είναι δυνατή η κανονική λειτουργία
- Κανονική Λειτουργία εάν, κατά τη διάρκεια της λειτουργίας, για 40" η κατανάλωση του νερού είναι μικρότερη από την ελάχιστη παροχή, η αντλία τίθεται σε κατάσταση συναγερμού και σταματά για 1 ώρα. Στη συνέχεια, εάν η στάθμη του νερού παραμείνει ανεπαρκής, η αντλία μπαίνει σε φάση αρχικής πλήρωσης.

Το ηλεκτρονικό σύστημα προστατεύει την αντλία από τις βλάβες στην Ανασταλτική Βαλβίδα (NRV), οι οποίες δημιουργούνται γενικά από επικαθίσεις βρωμιάς και άμμου. Οι επικαθίσεις εμποδίζουν το κλείσιμο της NRV, στη συνέχεια η εφαρμογή συνεχίζει να λειτουργεί ακόμη και χωρίς την παρουσία νερού. Στην περίπτωσή μας, η αντλία σβήνει αυτόματα κάθε ώρα: εάν είναι όλα κανονικά, ο χρήστης παρατηρεί μόνο μία πολύ ελαφριά πτώση πίεσης που διαρκεί λίγα δευτερόλεπτα. Εάν αντίθετα είναι μπλοκαρισμένη η NRV, η αντλία τίθεται σε συναγερμό και μπορεί να τεθεί και πάλι σε λειτουργία μόνον αφού εξαλειφθούν οι αιτίες της έμφραξης.

Έλεγχος παροχής:

Ο έλεγχος παροχής απενεργοποιεί την αντλία σε περίπτωση μη λήψης νερού. Εάν υπάρχουν διαρροές στην πλευρά της πίεσης (π.χ. βρύση του νερού ή εύκαμπτος σωλήνας μη στεγανός), η αντλία ανάβει και σβήνει σε μικρά χρονικά διαστήματα. Εάν η αντλία ανάβει και σβήνει περισσότερες από 7 φορές σε 2 λεπτά (σε περίπτωση διαρροής < 6 l/h), θα σβήσει τελείως. Αφού εξαλειφθεί η διαρροή στην πλευρά της πίεσης, αποσυνδέστε και επανασυνδέστε την αντλία ώστε να είναι δυνατόν να την χρησιμοποιήσετε και πάλι.

Η ιδανική κατάσταση λειτουργίας είναι με την αντλία εντελώς βυθισμένη· ωστόσο το σύστημα ψύξης του κινητήρα επιτρέπει, για σύντομες περιόδους, τη χρήση της μέχρι το ελάχιστο ύψος αναρρόφησης (50 mm).

Η αντλία διαθέτει ένα φίλτρο ιζημάτων από ανοξείδωτο χάλυβα.

9. ΠΡΟΛΗΠΤΙΚΑ ΜΕΤΡΑ

ΚΙΝΔΥΝΟΣ ΠΑΓΩΜΑΤΟΣ: όταν η αντλία παραμένει σε ακινητοποίηση σε θερμοκρασία κάτω από 0°C, είναι απαραίτητο να βεβαιωθείτε ότι δεν υπάρχουν υπολείμματα νερού τα οποία, παγώνοντας, μπορούν να δημιουργήσουν ρωγμές στα πλαστικά μέρη.

Εάν η αντλία χρησιμοποιήθηκε με ουσίες που μπορούν να επικαθίσουν ή που περιέχουν χλωριωμένο νερό ξεβγάλετε την μετά από τη χρήση, με δυνατή ρίψη νερού έτσι ώστε να μην σχηματιστούν ιζήματα ή επικαθίσεις που θα μπορούσαν να μειώσουν τα χαρακτηριστικά της αντλίας.

10. ΣΥΝΤΗΡΗΣΗ ΚΑΙ ΚΑΘΑΡΙΣΜΟΣ

Κατά την κανονική λειτουργία, η ηλεκτροκίνητη αντλία δεν απαιτεί καμία συντήρηση. Σε κάθε περίπτωση όλες οι επεμβάσεις επισκευής και συντήρησης πρέπει να γίνονται μονάχα αφού αποσυνδέσετε την αντλία από το δίκτυο ηλεκτρικής παροχής. Όταν ξαναθέτετε σε λειτουργία την αντλία, να βεβαιώνετε πως είναι συναρμολογημένο το φίλτρο αναρρόφησης, ώστε να αποκλείσετε το ενδεχόμενο τυχαίας επαφής με τα κινητά μέρη.

10.1 Καθαρισμός του φίλτρου αναρρόφησης

- Αποσυνδέστε την αντλία από την ηλεκτρική τροφοδότηση.
- Αδειάστε το υγρό από την αντλία.
- Καθαρίστε με ρίψη νερού και με βούρτσα

10.2 Καθαρισμός της φτερωτής

- Αποσυνδέστε την αντλία από την ηλεκτρική τροφοδότηση.
- Αδειάστε το υγρό από την αντλία.
- Ξεβιδώστε τις 8 βίδες στερέωσης επάνω στη βάση του φίλτρου εικ.3.
- Αφαιρέστε τη βάση και το φίλτρο εικ.4
- Κρατώντας τη φτερωτή ξεβιδώστε το περικόχλιο εικ.5
- Βγάλτε τη φτερωτή, το διανομέα, το δακτύλιο και το o-ring.
- Επαναλάβετε για όλες τις φτερωτές
- Πλύνετε την αντλία με καθαρό νερό και αφαιρέστε τις τυχόν ακαθαρσίες που μπορεί να υπάρχουν ανάμεσα στον κινητήρα και το χιτώνιο της αντλίας.
- Καθαρίστε την φτερωτή.
- Βεβαιωθείτε πως η φτερωτή μπορεί να περιστρέφεται απρόσκοπτα.
- Επανασυναρμολογήστε τα παραπάνω εξαρτήματα, ακολουθώντας αντίστροφα τη σειρά αποσυναρμολόγησης.

10.3 Καθαρισμός της Ανασταλτικής Βαλβίδας (NRV)**(Εικ.6)**

- Αποσυνδέστε την αντλία από την ηλεκτρική τροφοδότηση.
- Αφαιρέστε το χερούλι ξεβιδώνοντας τις δύο βίδες στερέωσης εικ.6
- Ξεβιδώστε τις 6 βίδες στο καπάκι παροχής εικ.7
- Βγάλτε το καπάκι παροχής και το φίλτρο προστασίας από την άμμο εικ.8
- Αφαιρέστε την ανασταλτική βαλβίδα και καθαρίστε την από ενδεχόμενες ακαθαρσίες εικ.9
- Συναρμολογήστε τα μέρη με αντίθετη φορά από τη σειρά αποσυναρμολόγησης

11. ΑΝΑΖΗΤΗΣΗ ΒΛΑΒΩΝ

Πριν αρχίσετε την αναζήτηση βλαβών είναι απαραίτητο να διακόψετε την ηλεκτρική σύνδεση της αντλίας (βγάλτε το φως από την πρίζα). Εάν το καλώδιο τροφοδοσίας ή η αντλία παρουσιάζει φθορά σε οποιοδήποτε ηλεκτρικό της μέρος, η επέμβαση επισκευής ή η αντικατάσταση πρέπει να γίνει από τον Κατασκευαστή ή από την υπηρεσία τεχνικής υποστήριξης του ή από άτομο με ισοδύναμη ιδιότητα έτσι ώστε να αποφευχθεί κάθε κίνδυνος.

Βλάβες	Αιτίες	Λύσεις
Η αντλία δεν ανάβει	A. Η αντλία δεν είναι τροφοδοτημένη με τάση. B. Η ανασταλτική βαλβίδα (VNR) είναι μπλοκαρισμένη σε ανοιχτή θέση. C. Απουσία νερού	A. Ελέγξτε την τροφοδοσία. B. Καθαρίστε την VNR C. Αποκαταστήστε τη στάθμη του νερού
Η αντλία δεν παρέχει νερό.	A. Η σχάρα αναρρόφησης ή οι σωληνώσεις είναι φραγμένες. B. Η φτερωτή είναι φθαρμένη ή μπλοκαρισμένη. C. Το απαιτούμενο μανομετρικό είναι μεγαλύτερο από τα χαρακτηριστικά της αντλίας.	A. Αφαιρέστε τα ξένα σώματα B. Αντικαταστήστε τη φτερωτή ή εξαλείψτε την εμπλοκή.
Η παροχή είναι ανεπαρκής	A. Η σχάρα αναρρόφησης είναι μερικώς φραγμένη. B. Η φτερωτή ή ο σωλήνας παροχής είναι μερικώς φραγμένοι ή έχουν επικαθίσεις.	A. Αφαιρέστε τυχόν ξένα σώματα. B. Αφαιρέστε τυχόν ξένα σώματα.
Η αντλία σταματάει (πιθανή επέμβαση του θερμικού διακόπτη ασφαλείας).	A. Το υγρό προς άντληση είναι πάρα πολύ πυκνό και υπερθερμαίνει τον κινητήρα. B. Η θερμοκρασία του υγρού είναι πάρα πολύ υψηλή. C. Ένα στερεό σώμα μπλοκάρει τη φτερωτή. D. Τροφοδοσία μη συμβατή με τα στοιχεία της πινακίδας.	A.B.C.D. Αποσυνδέστε το φως και εξαλείψτε την αιτία που προκάλεσε την υπερθέρμανση, περιμένετε να κρυώσει η αντλία και ξαναβάλτε το φως.

12. ΕΓΓΥΗΣΗ

Οποιαδήποτε μη συμφωνημένη τροποποίηση, απαλλάσσει τον Κατασκευαστικό Οίκο από κάθε ευθύνη. Όλα τα ανταλλακτικά που θα χρησιμοποιηθούν στις επισκευές πρέπει να είναι γνήσια. Επίσης όλα τα βοηθητικά εξαρτήματα πρέπει να είναι εγκεκριμένα από τον κατασκευαστικό οίκο, έτσι ώστε να εξασφαλίζεται η μέγιστη ασφάλεια των μηχανημάτων και των εγκαταστάσεων στις οποίες μπορεί να είναι εγκατεστημένα.

Το προϊόν αυτό καλύπτεται από νόμιμη εγγύηση (στην Ευρωπαϊκή Κοινότητα 24 μήνες από την ημερομηνία αγοράς) σε σχέση με όλα τα ελαττώματα που οφείλονται σε κατασκευαστικά ελαττώματα ή στο υλικό που χρησιμοποιήθηκε.

Το προϊόν υπό εγγύηση, κατά διακριτική κρίση, θα μπορεί να αντικατασταθεί με ένα άλλο το οποίο να είναι σε τέλεια κατάσταση λειτουργίας

ή να επισκευαστεί δωρεάν εφόσον τηρούνται οι παρακάτω συνθήκες:

- το προϊόν να έχει χρησιμοποιηθεί με σωστό τρόπο και σύμφωνα με τις οδηγίες και να μην έχει γίνει καμία προσπάθεια επιδιόρθωσής του από τον αγοραστή ή από τρίτους.
- Το προϊόν να έχει παραδοθεί στο κατάστημα πώλησης από το οποίο έχει αγοραστεί, συνοδευόμενο από το παραστατικό που βεβαιώνει την αγορά (τιμολόγιο ή φορολογική απόδειξη) και από μία σύντομη περιγραφή του προβλήματος που παρουσιάστηκε.

Η φτερωτή και τα μέρη που υπόκεινται σε φθορά, δεν καλύπτονται από την εγγύηση. Η καλυπτόμενη με την εγγύηση επέμβαση δεν επεκτείνεται σε καμία περίπτωση την αρχική περίοδο.

INDEKS

1. RAKENDUSED	37
2. PUMBATAVAD VEDELIKUD	37
3. TEHNILISED ANDMED JA KASUTUSPIIRANGUD	37
4. KASUTAMINE	38
4.1 Hoiuruum.....	38
4.2 Transport.....	38
4.3 Kaal ja mõõtmed	38
5. HOIATUSED.....	38
6. PAIGALDUS.....	38
7. ELEKTRIÜHENDUS.....	39
8. KÄIVITAMINE	39
9. ETTEVAATUSABINÕUD	39
10. HOOLDUS JA PUHASTAMINE.....	39
10.1 Sisendvõre puhastamine	40
10.2 Tiiviku puhastamine.....	40
10.3 Tagasilöögiklapi puhastamine	40
11. VEAOTSING.....	40
12. GARANTII	40

HOIATUSED



Enne paigaldamist lugege kõiki juhiseid.



Enne puutumist eemaldage pistik vooluvõrgust. Vältige täielikult kuiva töörežiimi.



Ülekoormuse kaitse. Pumbal on termalne ülekoormuse katkesti. Mootori ülekuumenemise korral lülitab mootori kaitse pumba automaatselt välja. Jahtumisaeg on umbes 15–20 minutit. Pärast seda lülitub pump jälle automaatselt sisse. Pärast ülekoormuse kaitse aktiveerumist on alati tarvis välja uurida ülekoormuse põhjus ning see kõrvaldada. Lugege peatükki „Veotsing“.

1. RAKENDUSED

Mitmeastmeline integreeritud elektroonikaga veealune pump, mis on mõeldud kasutamiseks vihmavee süsteemides ja niisutusvõrkudes, veehoidlatest, paakidest, tiikidest vee pumpamiseks ning teisteks kodusteks vajadusteks, mille korral on tarvis suurt survet.

Tänu kompaktsel ja käepärasele kujule on neid pumpasid võimalik kasutada ka teisaldatavate pumpadena hädaolukordades nagu näiteks vee kogumiseks veehoidlatest või jõgedest ning basseinide ja pürskkaevude tühjendamiseks. See on sobiv ka aiapidamiseks ning üldisemalt hobitegevusteks.



Kehivatele ohutuse eeskirjade alusel ei tohi pumpasid kasutada basseinides, tiikides ja kraanikaussides, kui inimesed on seal sees, või süsivesinike pumpamiseks (bensiin, diiselkütus, kütteõli, lahustid jne). Prima di riporre sarebbe buona norma prevedere una fase di pulizia. Enne hoiustamist on soovitatav seadet puhastada. Vt peatükki „Puhastamine ja hooldus“.

2. PUMBATAVAD VEDELIKUD

Magevesi	•
Vihmavesi	•
Heitvesi - puhas	○
Reovesi - must	○
Pürskkaevuvesi	•
Jõe- või järvevesi	•
Osakeste maks. suurus [mm]	Ø 1

• Sobib

○ Ei sobi

Tabel 1

3. TEHNILISED ANDMED JA KASUTUSPIIRANGUD

- **Toitepinge: 220-240V**, vt elektriandmete plaati
- **Voolukaitsmed (220-240V versioon):** soovituslikud väärtused (amprites)
- **Säilitustemperatuur:** -10° C +40° C

Mudel	Voolukaitsmed 220-240V 50Hz
P1=900	4
P1=1100	5

Tabel 2

EESTI

	Mudel	P1=900	P1=1100
Elektriandmed	P1 nominaalne imemisvõimsus [W]	900	1100
	P2 [W]	650	750
	Võrgupinge [V]	220-240V	220-240V
	Sagedus [Hz]	50	50
	Vool [A]	3.8	4.8
	Kondensaator [μ F]	12.5	12.5
	Kondensaator [Vc]	450	450
	Hüdraulilised andmed	Jõudlus maks. l/min	95
Maks. veesammas [m]		36	46
Maks. veesammas [bar]		3.6	4.6
Maks. paigaldamise sügavus [m]		12	12
Min uputussügavus [cm]		12	12
Aktiveerimissurve [bar]		2.6+- 0.2	2.6+- 0.2
Kasutusala	Pikkus. Toitejuhe [m]	15	15
	Juhtme tüüp	H07 RNF	H07 RNF
	Mootori kaitse	IP 68	IP 68
	Isolatsiooniklass	B	B
	Vedeliku temperatuurivahemik [$^{\circ}$ C] Vastavalt EN 60335-2-41 standardile koduseks kasutamiseks	0 $^{\circ}$ C / +35 $^{\circ}$ C	0 $^{\circ}$ C / +35 $^{\circ}$ C
	Osakeste maks. suurus [mm]	\varnothing 1	\varnothing 1
	Maks. õhutemperatuur [$^{\circ}$ C]	+40 $^{\circ}$ C	+40 $^{\circ}$ C
Kaal	DNM GAS	1" F	1" F
	Neto/bruto kaal ca [kg]	10.8 / 12.8	10 / 12

Tabell 3



Kui pump ei ulatu põhjani ja ei suuda torude raskust kanda, tuleb see teisiti toetada.

4. KASUTAMINE

4.1 Hoiuruum

Kõiki pumpi tuleb hoida siseruumides, kuivas ja võimaluse korral konstantse niiskuse juures, vibratsiooni- ja tolmuvalt. Tarnitakse originaalpakendis, kus pumbad peavad kuni paigaldamiseni olema.

4.2 Transport

Vältige toodete rappumist või põrkumist.

4.3 Kaal ja mõõtmed

Isekleepuv etikett pakendil näitab elektropumba kogukaalu ja selle suurust.

5. HOIATUSED



Pumpasid ei tohi kunagi toitejuhtmest kanda või tõsta ega töötamiseks toitejuhtmest üles riputada, kasutage alati käepidet ning kaasas olevat köit.

- Pumpa ei tohi kunagi kuivalt kasutada.
- Pumba sulguri tihend sisaldab mittetoksilist määrdeainet, mis võib muuta puhta vee omadusi pumba lekkimise korral.

6. PAIGALDUS

Kruvige külge nippel, mille leiata pakendist ning mis sobib torudele suurustes $\frac{3}{4}$ " e 1"; kui soovite kasutada suurema diameetriga toru, peate ühenduse välja vahetama. Kasutage ka voolikuklambrit, et toru ühendusele kinnitada. joonis 1

- Soovitav on kasutada voolikuid diameetriga vähemalt $\frac{3}{4}$ " mm, et pumba jõudlus ei väheneks.
- Sisendkäikude ummistumise vältimiseks on soovitatav aeg-ajalt kontrollida, et kogumismahutisse ei oleks kogunenud mustust (lehti, liiva jne). Sisendvõre ummistumise vältimiseks peaks jätma vähemalt 20 cm suuruse vahe (kõrguse) (joonis 2).
- Ühendage toitejuhe 230 V seinakontakti.
- Pumpa võib kasutada ainult siis, kui see on täielikult vee all. Pump peaks olema minimaalselt 12 cm sügavusel vee all. Vee otsa lõppemise korral tuleb pump otsekohe seisata — selleks tõmmake toitejuhe seinakontaktist välja.
- Pump peab olema paigutatud kogumismahutisse stabiilsesse asendisse või paigaldusruumi kõige madalamasse võimalikku punkti.

- Kogumismahuti minimaalsed mõõtmed pumba kasutamiseks on järgmised:
aluse min mõõtmed (mm) 150x150 / min kõrgus (mm) 800 joonis 2
- Mahuti peab olema piisavalt suur, arvestades sissetuleva vee kogust ja pumba voolukiirust. Selleks, et pumba mootor liiga sagedasti ei käivituks, on rangelt soovitatav mitte ületada 20 käivituskorda tunnis.



Pump tuleb paigaldada vertikaalasendisse!

7. ELEKTRIÜHENDUS



Pumba voolujuhtme pikkus määrab pumba maksimaalse kasutussügavuse. Järgige infoplaadil ja selles käsiraamatus toodud juhendeid (tabel 3).

8. KÄIVITAMINE

Elektrooniline seade kontrollib automaatselt pumba sisse ja välja (ON/OFF) lülitumist vastavalt kasutaja veenõudlusele. Elektroonika kaitseb pumba kuivalt töötamise eest.

- Ettevalmistusfaas. Ettevalmistusfaasis teeb pump neli 30-sekundilist katset (mootor sees) ning nende vahel 3-sekundilisi pause (mootor väljas). Kui vett ei ole, seiskub pump üheks tunniks ning teeb seejärel uue ettevalmistuskatse. Selle katse nurjumisel muutub paus 5 tunni pikkuseks ja seejärel kordab rakendus ettevalmistuskatset iga 24 tunni järel, kuni veetase on normaalseks toimimiseks piisav.
- Normaalne toimimine. Kui pumba töötamise ajal on 40 sekundi jooksul veetarbimine väiksem kui minimaalne voolukiirus, annab pump alarmsignaali ning seiskub üheks tunniks. Seejärel, kui veetase jääb ebapiisavaks, alustab pump ettevalmistusfaasi.

Elektrooniline seade kaitseb pumba tagasilöögiklapi tõrgete eest, mida tavaliselt põhjustavad mulla või liiva kogumid. Need ei lase tagasilöögiklapil sulguda ning seade jätkab töötamist ka siis, kui vett ei ole. Meie pumba puhul lülitub pump automaatselt iga tunni järel välja; kui kõik on normaalne, võite märgata vaid kerget surve vähenemist, mis kestab mõne sekundi. Kui aga tagasilöögiklapp peaks olema blokeeritud, annab pump alarmsignaali ning seda on võimalik uuesti käivitada ainult siis, kui takistus on kõrvaldatud.

Voolukontroll:

Voolukontroll lülitab pumba koguneva vee vähesuse korral välja. Kui survepoolel on lekkeid (näiteks veekraan või voolik ei ole tihedalt suletud), lülitub pump lühikeste intervallide järel sisse ja välja. Kui pump lülitub sisse ja välja rohkem kui seitse korda kahe minuti jooksul (kui leke on < 6 l/h), lülitub see täielikult välja. Kui olete survepoolel lekke kõrvaldanud, ühendage pump lahti ja käivitage see uuesti – seejärel peaksite saama pumba jälle kasutada.

Ideaalses tööolukorras on pump täielikult vee all, kuid mootori jahutussüsteem võimaldab lühikeste perioodide jooksul kasutada ka minimaalset imemiskõrgust (50 mm).

Pumbal on roostevabast terasest jäätmefilter.

9. ETTEVAATUSABINÕUD

Külmumise oht: kui pump on mitteaktiivne temperatuuril alla 0° C, peab tagama, et selles ei oleks vee jääke, mis võivad paisudes plastosasid kahjustada.

Kui pumba on kasutatud vedelikega, mis kipuvad sadestuma, või klooritud vees, tuleks seda peale kasutamist tugeva veejoa all loputada, vältimaks sademete tekkimist, mis võivad pumba efektiivsust vähendada.

10. HOOLDUS JA PUHASTAMINE

Tavakasutuses ei vaja pump hooldust. Igal juhul tuleb hooldust või remonti tegema siis, kui seade on vooluvõrgust välja lülitatud. Pumba taaskäivitamisel veenduge alati, et imifilter on monteeritud, et vältida ohtlikku olukorda või juhuslikku kokkupuudet liikuvate osadega.

10.1 Sisendvõre puhastamine

- Lülitage seade vooluvõrgust välja.
- Nõrutage pump.
- Puhastage veejoo ja harjaga

10.2 Tiiviku puhastamine

- Lülitage seade vooluvõrgust välja.
- Nõrutage pump.
- Kruvige filtrialuse 8 kruvi lahti, joonis 3.
- Eemaldage alus ja filter, joonis 4.
- Hoides kinni tööratat, keerake mutter lahti, joonis 5.
- Eemaldage tööratas, difuuser, rõngas ja o-rõngas.
- Korrake seda kõigi tööratastega.
- Peske pump puhta veega, et eemaldada võimalikud ebapuhtused mootori ja pumba ümbrise vahel.
- Puhastage tiivik.
- Kontrollige, et tiivik saab vabalt pöörelda.
- Monteerige osad vastupidises järjekorras lahtimonteerimise järjekorrale.

10.3 Tagasilöögiklapi puhastamine

(joonis 6)

- Lülitage seade vooluvõrgust välja.
- Eemaldage käepide, kruviesse selle kaks kinnituskruvi lahti, joonis 6.
- Kruvige väljalaske kate 6 kruvi lahti, joonis 7.
- Eemaldage kate ning liivavastane filter, joonis 8.
- Eemaldage tagasilöögiklapp ning puhastage see mustusest, joonis 9. Pange osad tagasi kokku vastupidises järjekorras koost lahti võtmisele.

11. VEAOTSING



Enne veaotsinguga alustamist peate pumba elektrivõrgust lahti ühendama (pistiku seinakontaktist välja tõmbama). Kui pumba toitejuhe või mis tahes muu elektriline osa on kahjustunud, peab riskide vältimiseks parandus- või vahetustöid tegema tootja või tootja tehnilise abi pakkuja või võrdse kvalifikatsiooniga isik.

Vead	Põhjused	Lahendused
Pump ei lülitu sisse.	A. Pumbal pole toidet. B. Tagasilöögiklapp on lukustunud avatud asendisse. C. Vett on liiga vähe.	A. Kontrollige elektritoidet. B. Puhastage tagasilöögiklapp. C. Taastage veetase.
Pumbast ei tule vett.	A. Sisendrest või torud on ummistunud. B. Tööratas on kulunud või blokeeritud. C. Nõutav pumbapea surve on suurem kui pumba suutlikkus.	A. Eemaldage takistus. B. Vahetage tööratas välja või eemaldage blokeering.
Vool on ebapiisav.	A. Sisendvõre on osaliselt ummistunud. B. Tööratas või survetoru on osaliselt blokeeritud või ummistunud.	A. Eemaldage olemas olevad takistused. B. Eemaldage olemas olevad takistused.
Pump seiskub (võimalik termaalse ohutuslüli aktiveerumine).	A. Pumbatav vedelik on liiga tihe ning mootor on üle kuumenenud. B. Veetemperatuur on liiga kõrge. C. Tahke ese blokeerib tööratat. D. Elektritoidet ei vasta andmeplaadil toodud nõutavatele spetsifikatsioonidele.	A.B.C.D. Tõmmake pump seinast välja ning kõrvaldage ülekuumenemise põhjus, laske pumbal maha jahtuda ning ühendage see uuesti vooluvõrku.

12. GARANTII



Mistahes eelnevalt heaks kiitmata muudatused seadmele vabastavad tootja vastutusest. Kõik remondis kasutatavad varuosad peavad olema originaalid ja kõik lisandid peavad olema tootja kinnitanud, et tagada maksimaalne turvalisus seadmetele ja süsteemide, kuhu seade on paigaldatud.

Tootel on õiguslik garantii (24 kuud alates ostukuupäevast Euroopa Ühenduse piires) defektide osas, mille on põhjustanud tootmine või kasutatud materjal.

Kehtiva garantiiga toode asendatakse töökorras oleva tootega või remonditakse tasuta, kui allolevad tingimused on täidetud:

- seadet on kasutatud õigesti ning vastavalt juhenditele, ilma kolmanda poole tehtud remondita;
- toote on tagastatud sellesse müügipunkti, kust see osteti, koos ostudokumentidega (arve või müügikviitung) ning tekkinud probleemi lühikirjeldusega.

Garantii ei hõlma tiivikut ja muid kuluvaid osi. Garantii ei pikenda esimest garantiiperioodi.

SISÄLTÖ

1. KÄYTTÖTAVAT	41
2. PUMPATTAVAT NESTEET	41
3. TEKNISET TIEDOT JA KÄYTTÖRAJOITUKSET	41
4. KÄSITTELY	42
4.1 Varastointi	42
4.2 Kuljetus	42
4.3 Paino ja mitat	42
5. VAROITUKSIA	42
6. ASENNUS	42
7. SÄHKÖLIITÄNTÄ	43
8. KÄYNNISTYS	43
9. VAROTOIMET	43
10. HUOLTO JA PUHDISTUS	43
10.1 Imusuodattimen puhdistus	44
10.2 Juoksupyörän puhdistus	44
10.3 Takaiskuventtiilin puhdistus	44
11. VIANETSINTÄ	44
12. TAKUU	44

VAROITUKSIA



Lue kaikki ohjeet huolellisesti ennen asennusta:



Irrota pistoke ennen toimenpiteitä. Vältä ehdottomasti kuivakäyttöä.



Ylikuormitussuoja. Pumppu on varustettu moottorin lämpösuojaalla. Jos moottori ylikuumentuu, moottorin lämpösuoja pysäyttää pumpun automaattisesti. Jäähymisaika on noin 15-20 minuuttia, minkä jälkeen pumppu käynnistyy uudelleen automaattisesti. Jos moottorin lämpösuoja laukeaa, etsi ehdottomasti laukeamisen syy ja korjaa se. Lue Vianetsintä-luku.

1. KÄYTTÖTAVAT

Monivaiheinen ja sisäänrakennetulla elektroniikalla varustettu uppopumppu on ihanteellinen sadevesi- ja kastelujärjestelmiin, veden pumppaamiseen säiliöistä, altaista ja puutarhalammikoista sekä muihin kotitalouksien käyttötarkoituksiin, joissa vaaditaan korkeaa painetta.

Kompaktin muotonsa ja helpon käsiteltävyytensä ansiosta sitä voidaan hätätilanteissa käyttää myös muihin käyttötarkoituksiin kannettavana pumppuna, esim. vedenottoon säiliöistä tai vesistöistä tai uima-altaiden ja suihkulähteiden tyhjennykseen. Soveltuu myös puutarha- ja harrastuskäyttöön.



Aihekohtaisten voimassa olevien tapaturmantorjuntamääräysten mukaan näitä pumppuja ei tule käyttää uima-altaissa, lammissa tai piha-altaissa, joissa on ihmisiä. Niillä ei myöskään tule pumpata hiilivetyjä (bensini, dieselöljy, polttoöljyt, liuottimet jne.). Puhdista pumppu ennen sen asettamista varastoon. Katso Huolto ja puhdistus.

2. PUMPATTAVAT NESTEET

Puhdas vesi	•
Sadevesi	•
Kirkas jätevesi	○
Likainen vesi	○
Lähdevesi	•
Joki- tai järvesi	•
Hiukkasten maks.koko [mm]	Ø 1

Taulukko 1

- Soveltuu
- Ei sovellu

3. TEKNISET TIEDOT JA KÄYTTÖRAJOITUKSET

- Sähköjännite: 220-240V, ks. arvokilpi
- Viivesulakkeet (versio 220-240V): viitteelliset arvot (A)
- Varastointilämpötila: -10 - +40 °C

Malli	Verkkosulakkeet 220-240V 50 Hz
P1=900	4
P1=1100	5

Taulukko 2

SUOMI

	Malli	P1=900	P1=1100
Sähkötiedot	P1 nimellistehonkulutus [W]	900	1100
	P2 [W]	650	750
	Verkkojännite [V]	220-240V	220-240V
	Verkkotaajuus [Hz]	50	50
	Virta [A]	3.8	4.8
	Kondensaattori [μ F]	12.5	12.5
	Kondensaattori [Vc]	450	450
Hydrauliset arvot	Maks.virtausnopeus [L/min]	95	95
	Maks.painekorkeus [m]	36	46
	Maks.painekorkeus [bar]	3.6	4.6
	Maks.upotussyvyys [m]	12	12
	Min.upotussyvyys [cm]	12	12
	Käynnistyspaine [bar]	2.6+ 0.2	2.6+ 0.2
Käyttöalue	Sähköjohdon pituus [m]	15	15
	Johdon tyyppi	H07 RNF	H07 RNF
	Moottorin suoja-aste	IP 68	IP 68
	Eristysluokka	B	B
	Nesteen lämpötila-alue [°C] kotitalouskäytössä standardin EN 60335-2-41 mukaan	0 °C / +35 °C	0 °C / +35 °C
	Hiukkasten maks.koko [mm]	Ø 1	Ø 1
	Ympäröivä maks.lämpötila [°C]	+40 °C	+40 °C
Paino	DNM GAS	1" F	1" F
	Likimäär. netto/bruttopaino [kg]	10.8 / 12.8	10 / 12

Taulukko 3



Pumppu, jota ei ole asennettu alustalle, ei kykene kannattamaan letkujen painoa. Tue letkut asianmukaisesti.

4. KÄSITTELY

4.1 Varastointi

Kaikkia pumppuja tulee säilyttää suojatussa ja kuivassa tilassa, jonka ilmankosteus on mahdollisimman tasainen ja jossa ei ole tärinää tai pölyä. Pumppu toimitetaan alkuperäisessä pakkauksessaan, jossa se tulee säilyttää asennukseen asti.

4.2 Kuljetus

Älä kohdistu laitteeseen turhia iskuja tai törmäyksiä.

4.3 Paino ja mitat

Pakkaukseen kiinnitetystä tarrassa ilmoitetaan sähköpumpun kokonaispaino ja mitat.

5. VAROITUKSIA



Älä koskaan kuljeta tai nosta pumppua sähköjohdosta tai käynnistä sitä sen roikkuessa sähköjohdon varassa. Käytä erityistä kahvaa.

- Pumppua ei saa koskaan käyttää kuivana.
- Tiivistyslaitteen sisältämä myrkytön voiteluaine saattaa muuttaa puhtaan veden ominaisuuksia, jos pumppu vuotaa.

6. ASENNUS

Ruuvaa nippa pakkaukseen sisältyvään liittimeen, joka soveltuu mitoiltaan ¾" ja 1" letkuille. Jos haluat käyttää halkaisijaltaan suurempaa letkua, vaihda nippaliitin. Kiinnitä letku liittimeen letkunkiristimellä. Kuva.1

- Käytä letkuja, joiden sisähalkaisija on vähintään ¾" mm estääksesi pumpun tehon laskun.
- Tarkista säännöllisesti, ettei keruusäiliöön ole kerääntynyt likaa (lehtiä, hiekkaa tms.), etteivät imuaukot tukkeudu. Jätä vähintään 20 cm:n väli, ettei imuritilä tukkeudu (kuva 2).
- Kytke pistoke 230 V:n pistorasiaan.
- Pumppu voidaan käynnistää ainoastaan veteen upotettuna. Upotussyvyyden tulee olla vähintään 12 cm. Jos vesi loppuu, kytke pumppu välittömästi pois irrottamal-la pistoke pistorasiasta.
- Aseta pumppu tukevaan asentoon keruusäiliön sisälle tai joka tapauksessa asennuspaikan alimpaan kohtaan.
- Varmista, että keruusäiliön minimimitat vastaavat seuraavia arvoja:
Alustan min.mitat (mm) 150x150 / Min.korkeus (mm) 800 Kuva 2
- Säiliö tulee aina mitoittaa myös tulovesimäärän ja pumpun tehon mukaan, ettei moottorin käynnistysmäärä tunnissa ole liiallinen. Se ei saa ylittää 20 käynnistystä tunnissa.



Pumppu tulee asentaa pystyasentoon!

7. SÄHKÖLIITÄNTÄ



Pumpun maksimiupotussyvyys riippuu sähköjohdon pituudesta. Noudata arvokilven ja tämän käyttöoppaan taulukon 3 arvoja.

8. KÄYNNISTYS

Elektroniikka ohjaa pumpun käynnistystä ja sammutusta (ON/OFF) automaattisesti käyttöyksikön veden pyynnön mukaan.

Elektroniikka suojelee laitetta kuivakäynniltä.

- Käynnistystäyttö: Tässä vaiheessa pumppu tekee neljä 30 s käynnistystäyttöyritystä (moottori PÄÄLLÄ) 3 s välein (moottori POIS PÄÄLTÄ). Jos vesi puuttuu, pumppu pysähtyy tunniksi ja suorittaa sen jälkeen uuden käynnistystäyttö-rytyksen. Jos yritys epäonnistuu, pumppu pysähtyy 5 tunniksi. Tämän jälkeen se toistaa käynnistystäyttö-rytyksen 24 tunnin välein, kunnes vedentaso on riittävä normaalitoiminnalle.
- Normaalityminta: Jos vedenkulutus alittaa toiminnan aikana 40 s ajaksi vähimmäisvirtausnopeuden, pumppu siirtyy hälytystilaan ja pysähtyy tunniksi. Jos vedentaso on tämän jälkeen yhä alhainen, pumppu siirtyy käynnistystäyttövaiheeseen.

Elektroniikka suojelee pumpun takaiskuventtiiliä vioilta, jotka yleensä johtuvat lika- tai hiekkakerääntymistä. Kerääntymät estävät takaiskuventtiilin sulkeutumisen ja laite jatkaa toimintaansa myös veden puuttuessa. Tämä pumppu sammutetaan automaattisesti tunnin välein. Normaaleissa olosuhteissa huomaat ainoastaan lievän, muutaman sekunnin kestävän paineenalennuksen. Jos takaiskuventtiili on lukkiutunut auki, pumppu siirtyy hälytystilaan ja voidaan käynnistää vasta, kun tukos on poistettu.

Virtausohjaus:

Virtausohjaus kytkee pumpun pois, ellei vettä oteta. Jos painepuolella on vuotoja (esim. tiivistämätön vesihana tai letku), pumppu käynnistyy ja sammuu lyhyin väliajoin. Jos pumppu käynnistyy ja sammuu yli 7 kertaa 2 minuutin kuluessa (vuoto < 6 L/h), se sammuu kokonaan. Kun painepuolen vuoto on korjattu, kytke pumppu pois ja päälle, jotta voit käyttää sitä uudelleen.

Pumppu toimii ihanteellisesti täysin upotettuna. Moottorin jäähditysjärjestelmän ansiosta sitä voidaan kuitenkin käyttää lyhyitä aikoja vähimmäisimukorkeudella (50 mm).

Pumpussa on ruostumattomasta teräksestä valmistettu likasuodatin.

9. VAROTOIMET

JÄÄTYMISVAARA: jos pumppu jätetään käyttötaujan ajaksi alle 0 °C:n lämpötilaan, varmista ettei siihen ole jäänyt vettä, joka jäätyessään aiheuttaa muoviosien halkeilua.

Jos pumppua on käytetty aineissa, jotka pyrkivät kerääntymään, tai klooria sisältävässä vedessä, huuhtelee se käytön jälkeen voimakkaalla vesisuihkulla. Siten estät pumpun ominaisuuksia heikentävien kerääntymien tai saostumien muodostumisen.

10. HUOLTO JA PUHDISTUS

Sähköpumppua ei tarvitse huoltaa, jos sitä käytetään normaalisti. Pumpun sähkö tulee joka tapauksessa katkaista aina ennen korjauksia ja huoltoja. Varmista aina käynnistäessäsi pumpun uudelleen, että imusuodatin on asennettu, jotta estät tahattoman kosketuksen liikkuviin osiin.

10.1 Imusuodattimen puhdistus

- Katkaise pumpun sähkö.
- Anna pumpun tyhjentyä.
- Puhdista vesisuihkulla ja harjalla.

10.2 Juoksupyörän puhdistus

- Katkaise pumpun sähkö.
- Anna pumpun tyhjentyä.
- Irrota suodattimen alustan 8 kiinnitysruuvia (kuva 3).
- Poista alusta ja suodatin (kuva 4).
- Pidä kiinni juoksupyörästä ja irrota mutteri (kuva 5).
- Poista juoksupyörä, diffuusori, rengas ja O-rengas.
- Toista toimenpide kaikille juoksupyörille.
- Pese pumpu puhtaalla vedellä poistaaksesi epäpuhtaudet moottorin ja pumpun kotelon väliltä.
- Puhdista juoksupyörä.
- Tarkista, että juoksupyörä pyöri esteettömästi.
- Kokoa osat vastakkaisessa järjestyksessä purkamiseen nähden.

10.3 Takaiskuventtiilin puhdistus

(Kuva.6)

- Katkaise pumpun sähkö.
 - Poista kahva irrottamalla kaksi kiinnitysruuvia (kuva 6).
 - Irrota painekannen 6 ruuvia (kuva 7).
 - Poista painekansi ja hiekkasuodatin (kuva 8).
 - Poista takaiskuventtiili ja poista siitä tarvittaessa lika (kuva 9).
- Kokoa osat vastakkaisessa järjestyksessä purkamiseen nähden.

11. VIANETSINTÄ



Katkaise pumpun sähkö ennen vianetsintää (irrota pistoke pistorasiasta). Jos sähköjohto tai muu pumpun sähköosa on vaurioitunut, ainoastaan valmistaja, sen valtuuttama huoltoliike tai ammattitaitoinen henkilö saa suorittaa korjaukset tai vaihdot, jotta käyttö on turvallista.

Vika	Tarkistus (mahdollinen syy)	Korjaus
Pumppu ei käynnisty.	A. Pumppu ei saa sähköä. B. Takaiskuventtiili on juuttunut avattuun asentoon. C. Vesi puuttuu.	A. Tarkista sähkönsyöttö. B. Puhdista takaiskuventtiili. C. Lisää vettä.
Pumppu ei kuljeta nestettä.	A. Imuritiilä tai putket ovat. B. Juoksupyörä on kulunut tai pysähtynyt. C. Pyydetty painekorkeus ylittää pumpun ominaisuudet.	A. Poista tukosi. B. Vaihda juoksupyörä tai poista sen pysäyttänyt esine.
Virtausnopeus on riittämätön	A. Tarkista, ettei imuritiilä ole osittain tukossa. B. Tarkista, ettei juoksupyörä tai paineputki ole osittain tukossa tai karstoittunut.	A. Poista mahdolliset tukokset. B. Poista mahdolliset tukokset.
Pumppu pysähtyy (mahdollinen lämpösuojan laukeaminen)	A. Tarkista, ettei pumpattava neste ole liian sakeaa, sillä se aiheuttaa moottorin ylikuumenemisen. B. Tarkista, ettei veden lämpötila ole liian korkea. C. Tarkista, ettei juoksupyörän esteenä ole ylimääräisiä esineitä. D. Sähkö ei vastaa arvokilven ominaisuuksia.	A.B.C.D. Irrota pistoke ja korjaa ylikuumenemisen syy. Odota, että pumppu jäähtyy ja kytke pistoke pistorasiaan.

12. TAKUU



Kaikki muutokset, joille ei ole annettu ennakkovaltuutusta, vapauttavat valmistajan kaikesta vastuusta. Kaikkien korjauksissa käytettävien varaosien tulee olla alkuperäisiä ja kaikkien lisävarusteiden valmistajan valtuuttamia, jotta laitteiden ja järjestelmien turvallisuus voidaan taata.

Tälle tuotteelle annetaan lakimääräinen takuu (Euroopan unionissa 24 kuukautta ostopäivästä alkaen), joka kattaa kaikki valmistus- tai materiaali- tai johtuvat vauriot.

Takuunalainen tuote voidaan harkinnanvaraisesti vaihtaa toiseen täydellisesti toimivaan tuotteeseen tai korjata veloituksetta seuraavissa tapauksissa:

- tuotetta on käytetty oikein ja ohjeiden mukaisesti eikä ostaja tai muu henkilö ole yrittänyt korjata sitä,
- tuote on toimitettu myyntipisteeseen varustettuna ostotodistuksella (lasku tai ostokuiti) ja todetun ongelman lyhyellä selostuksella.

Takuu ei kata juoksupyörää eikä kulutusosia. Takuukorjaus ei missään tapauksessa jatka alkuperäistä takuaikaa.

KAZALO

1. PRIMJENE	45
2. TEKUĆINE KOJE SE MOGU PUMPATI	45
3. TEHNIČKI PODACI I OGRANIČENJA UPORABE	45
4. UPRAVLJANJE	46
4.1 Skladištenje	46
4.2 Transport	46
4.3 Težina i dimenzije	46
5. UPOZORENJA	46
6. INSTALACIJA	46
7. ELEKTRIČNO PRIKLJUČIVANJE	47
8. POKRETANJE	47
9. MJERE OPREZA	47
10. ODRŽAVANJE I ČIŠĆENJE	47
10.1 Čišćenje usisnog filtra	48
10.2 Čišćenje rotora	48
10.3 Čišćenje nepovratnog ventila	48
11. TRAŽENJE KVAROVA	48
12. JAMSTVO	48

UPOZORENJA



Prije nego što nastavite s instalacijom pažljivo pročitajte cijelu dokumentaciju:



Prije svake intervencije izvucite utikač iz utičnice. Bezuvjetno izbjegavajte rad na suho.



Zaštita od preopterećenja. Pumpa je opremljena toplinskim osiguračem motora. U slučaju eventualnog pregrijavanja motora, osigurač motora automatski gasi pumpu. Vrijeme hlađenja iznosi približno 15-20 min. a nakon toga se pumpa automatski iznova pali. Nakon intervencije osigurača motora apsolutno je potrebno istražiti uzrok i ukloniti ga. Konzultirajte Pretražnik kvarova.

1. PRIMJENE

Višestupanjaska potopna pumpa s integriranom elektronikom, idealna za uporabu u sustavima s kišnicom i mrežama navodnjavanja, za pumpanje vode iz spremnika, cisterni i jezeraca i za druge uporabe u kućanstvu koje traže visoki tlak. Zahvaljujući kompaktnom obliku, prikladnom za rukovanje, ove pumpe imaju i posebnu primjenu kao prenosive pumpe u slučajevima nužde, kao što su uzimanje vode iz spremnika ili rijeka, pražnjenje bazena i fontana. Podobna je i za vrtlarstvo i hobije u općem smislu.



Ove pumpe ne mogu se koristiti u bazenima, lokvama, ili koritima u kojima su prisutne osobe i/ili za pumpanje ugljikovodika (benzina, dizel goriva, ulja korištenog kao gorivo, otapala, itd.) u skladu s važećim normama o zaštiti na radu. Prije odlaganja, dobro je predvidjeti jednu fazu čišćenja. Pogledajte poglavlje "Održavanje i čišćenje".

2. TEKUĆINE KOJE SE MOGU PUMPATI

Svježa voda	•
Kišnica	•
Čista voda od otpada	○
Prljava voda	○
Voda iz fontane	•
Jezerska ili riječna voda	•
Maks. dimenzija čestica [mm]	Ø 1

- Pogodna
- Nepogodna

Tablica 1

3. TEHNIČKI PODACI I OGRANIČENJA UPORABE

- Napon napajanja: 220-240V, pogledajte pločicu s električnim podacima
- Tromi linijski osigurači (verzija 220-240V) indikativne vrijednosti (u amperima)
- Temperatura skladištenja: -10°C +40°C

Model	Linijski osigurači 220-240V 50Hz
P1=900	4
P1=1100	5

Tablica 2

	Model	P1=900	P1=1100
Električni podatci	P1 Nominalna apsorbirana snaga [W]	900	1100
	P2 [W]	650	750
	Mrežni napon [V]	220-240V	220-240V
	Mrežna frekvencija [Hz]	50	50
	Struja [A]	3.8	4.8
	Kondenzator [μ F]	12.5	12.5
	Kondenzator [Vc]	450	450
Hidraulički podatci	Maks. kapacitet protoka [l/min]	95	95
	Maks. dobavna visina [m]	36	46
	Maks. dobavni tlak [bar]	3.6	4.6
	Maks. dubina potapanja [m]	12	12
	Min. dubina potapanja [cm]	12	12
	Tlak pri uključenju [bar]	2.6+- 0.2	2.6+- 0.2
Polje uporabe	Duljina kabela za napajanje [m]	15	15
	Vrsta kabela	H07 RNF	H07 RNF
	Stupanj zaštite motora	IP 68	IP 68
	Klasa izolacije	B	B
	Polje temperature tekućine [°C] prema normi EN 60335-2-41 za uporabu u kućanstvu	0 °C / +35 °C	0 °C / +35 °C
	Maks. dimenzija čestica [mm]	Ø 1	Ø 1
	Maks. okolna temperatura	+40 °C	+40 °C
	Težina	DNM GAS	1" F
	Neto/bruto težina cca [kg]	10.8 / 12.8	10 / 12

Tablica 3



Pumpa koja se ne oslanja na osnovicu ne može podnijeti težinu cijevi koje se u tom slučaju moraju podržavati na drugi način.

4. UPRAVLJANJE

4.1 Skladištenje

Sve pumpe treba skladištiti u zatvorenoj, suhoj prostoriji, bez vibracija i prašine i s vlagom zraka po mogućnosti na konstantnoj vrijednosti. Pumpe se isporučuju u svom originalnom pakiranju u kojem moraju ostati do momenta instalacije.

4.2 Transport

Izbjegavajte bespotrebne udarce i sudare proizvoda

4.3 Težina i dimenzije

Na pakiranju se nalazi naljepnica s oznakom ukupne težine i dimenzija električne pumpe.

5. UPOZORENJA



Pumpe se nikad ne smiju prenositi, podizati ili puštati u rad obješene za kabel za napajanje. Koristite odgovarajuću ručku i uže koji su dio opreme.

- Pumpa ne smije nikad raditi na suho.
- Brtva sadrži neotrovno mazivo, ali ono može promijeniti svojstva vode u slučaju da se radi o čistoj vodi, ako postoji curenje iz pumpe.

6. INSTALACIJA

Zavrnite spojku s priključkom koji se nalazi u pakiranju i koji odgovara cijevima dimenzija ¾" e 1". Ako želite koristiti cijev s većim promjerom, zamijenite priključak. Osim toga upotrijebite i obujmice za cijevi kako biste pričvrstili cijev za priključak

- Preporučuje se uporaba cijevi s minimalnim unutrašnjim promjerom od ¾" mm kako bi se izbjeglo smanjenje učinkovitosti pumpe.
- Kako bi se izbjeglo začepljenje usisnih prolaza, preporučujemo da periodično provjerite da se u cisternama za skupljanje vode nije nakupila prljavština (lišće, pijesak, itd.). Potrebno je predvidjeti minimalnu udaljenost od 20 cm kako bi se izbjeglo začepljenje na usisnoj rešetki (Sl. 2).
- Umetnite utikač kabela za napajanje u 230 V strujnu utičnicu.

- Pumpa se mora aktivirati samo ako je potopljena u vodu. Uzmite u obzir minimalno potapanje od 12 cm. Ako se voda iscrpi, pumpa se mora odmah deaktivirati vađenjem utikača iz struje.
- Pumpa mora biti stavljena u stabilan položaj unutar cisterne za skupljanje ili u svakom slučaju na najnižu točku na mjestu instalacije.
- Predvidite da cisterna kućišta ima minimalne dimenzije prema sljedećim vrijednostima:
Min. dimenzije osnovice (mm) 150x150 / Min. visina (mm) 800 Sl. 2
- Cisterna mora uvijek imati odgovarajuće dimenzije ovisno o količini vode koja pristiže i o protoku pumpe kako motori ne bi bili podvrgnuti pretjeranim pokretanjima/sat. Izričito se preporučuje da broj pokretanja ne pređe 20 pokretanja/sat.



Pumpa mora biti instalirana u vertikalnom položaju!

7. ELEKTRIČNO PRIKLJUČIVANJE



Dužina kabela za napajanje prisutnog na pumpi ograničava maksimalno potapanje kod uporabe same pumpe. Pridržavajte se uputa navedenih na tehničkoj pločici i u ovom priručniku, u tablici 3.

8. POKRETANJE

Elektronika automatski upravlja uključivanjem i isključivanjem (ON/OFF) pumpe ovisno o količini vode koju traži korisnik.

Elektronika štiti sistem protiv djelovanja na suho.

- Faza usisavanja: u fazi usisavanja pumpa izvrši četiri pokušaja od 30" (motor je ON) s intervalima pauze od 3" (motor je OFF). U slučaju da nema vode, pumpa se zaustavi za jedan sat a zatim ponovno pokuša s usisavanjem. Ako i taj pokušaj promaši pauza postaje od 5 sati a nakon toga sistem ponovi pokušaj usisavanja svakih 24 sati sve dok nivo vode nije dovoljan, da bi se omogućilo normalno djelovanje.
- Normalno djelovanje: Ako za vrijeme djelovanja od 40" sekundi voda je ispod minimalne nosivosti, pumpa stupi u alarm te se zaustavi za 1 sat. Nakon toga, ako razina vode nije dovoljna pumpa stupi u fazu usisavanja.

Elektronika štiti pumpu od kvara NePovratnog Ventila (NRV=NPV), do kojeg dolazi općenito radi naslaga nečistoće ili pijeska. Naslage sprečavaju nepovratnom ventilu da se zatvori pa stoga sistem nastavi s djelovanjem i kada nema vode za usisavanje. U našem slučaju se pumpa automatski ugasi svaki sat; ako je sve normalno će korisnik opaziti samo maleno smanjenje pritiska za nekoliko sekundi. Ako pa je nepovratni ventil blokiran, pumpa stupi u alarm, te se može ponovno uspostaviti samo nakon što ste otklonili uzrok blokiranja.

Kontrola kapaciteta protoka:

Kontrola kapaciteta protoka deaktivira pumpu u slučaju nedostatka usisavanja vode. Ako postoje gubici tlaka (npr. slavina vode ili fleksibilna cijev nisu nepropusne), pumpa se uključuje i isključuje u kratkim vremenskim intervalima. Ako se pumpa uključi i isključi više od 7 puta u 2 minute (u slučaju curenja < 6 l/h), ona će se potpuno isključiti. Kad se ukloni gubitak tlaka, isključite i ponovo uključite pumpu kako bi se omogućilo njena ponovna uporaba.

Idealna radna situacija pumpe je kada je potpuno potopljena; ali sistem za rashlađivanje motora dozvoljava upotrebu pumpe do minimalne visine usisavanja (50 mm).

Pumpa ima filter protiv otpadaka od nehrđajućeg čelik.

9. MJERE OPREZA

OPASNOST OD ZAMRZAVANJA: kad pumpa ostane neaktivna na temperaturi nižoj od 0°C, treba provjeriti da nema preostale vode koja bi se mogla zamrznuti i dovesti do stvaranja naprsina na plastičnim dijelovima.

Ako je pumpa korištena s tvarima koje se polažu, ili s kloriranom vodom, nakon uporabe isperite je snažnim mlazom vode kako bi se izbjeglo stvaranje naslaga koji bi mogle umanjiti svojstva pumpe.

10. ODRŽAVANJE I ČIŠĆENJE

Prilikom normalnog rada električna pumpa ne zahtijeva bilo kakvu vrstu održavanja. U svakom slučaju sve intervencije popravki i održavanja moraju se vršiti samo nakon što se pumpa odspoji s mreže napajanja. Kad se pumpa ponovo pokrene, uvjerite se da je uvijek montiran usisni filter kako se ne bi stvorili uvjeti za opasnost ili mogućnost slučajnog kontakta s dijelovima u pokretu.

10.1 Čišćenje usisnog filtra

- Odspojite električno napajanje pumpe.
- Izvršite drenažu pumpe.
- Očistite mlazom vode i četkom.

10.2 Čišćenje rotora

- Odspojite električno napajanje pumpe.
- Izvršite drenažu pumpe.
- Odvijte 8 pričvrtnih vijaka na osnovici filtra, sl. 3.
- Uklonite osnovicu i filter, sl. 4.
- Držeći rotor odvijte maticu, sl. 5.
- Izvucite rotor, difuzor, prsten i o-ring.
- Ponovite postupak za sve rotore.
- Operite pumpu čistom vodom kako biste uklonili moguće nečistoće između motora i košuljice pumpe (d).
- Očistite rotor.
- Provjerite da li se rotor slobodno okreće.
- Sklopite dijelove obrnutim redoslijedom u odnosu na rasklapanje.

10.3 Čišćenje nepovratnog ventila

(Sl.6)

- Odspojite električno napajanje pumpe.
- Skinite ručku odvijajući dva pričvrtna vijka, sl. 6.
- Odvijte 6 vijaka na poklopcu dovoda, sl. 7.
- Izvucite poklopac dovoda i filter za pijesak.
- Skinite zaporni ventil i očistite ga od eventualne prljavštine, sl. 9. Sklopite dijelove obrnutim redoslijedom u odnosu na rasklapanje.

11. TRAŽENJE KVAROVA



Prije nego što započnete tražiti kvarove, potrebno je prekinuti dovod struje u pumpu (izvući utikač iz utičnice). Ako su kabel za napajanje ili pumpa oštećeni na bilo kojem od električnih dijelova, zbog sprječavanja svake opasnosti, popravak ili zamjenu mora vršiti Konstruktor ili njegova služba tehničke potpore ili osoba s jednakom kvalifikacijom.

Kvarovi	Provjere (mogući uzroci)	Rješenja
Pumpa se ne uključuje.	A. Pumpa se ne napaja. B. Nepovratni ventil je blokiran u otvorenom položaju. C. Nedostatak vode.	A. Provjerite napajanje. B. Očistite nepovratni ventil. C. Uspostavite razinu vode.
Pumpa ne crpi	A. Usisna rešetka ili cijevi su začepljene. B. Turbina je istrošena ili blokirana. C. Tražena dobavna visina je viša od svojstava pumpe.	A. Uklonite zapreke. B. Zamijenite turbinu ili uklonite blokadu.
Kapacitet je nedovoljan	A. Provjerite da li je usisna rešetka djelomično začepljena. B. Provjerite nisu li turbina ili odvodna cijev C. djelomice začepljene ili prekrivene tvrdokornim naslagama.	A. Uklonite eventualne zapreke. B. Uklonite eventualne zapreke.
Pumpa se zaustavlja (moguća je intervencija termičkog sigurnosnog prekidača).	A. Provjerite da nije tekućina za crpenje previše gusta jer bi moglo doći do pregrijavanja motora. B. Provjerite da temperatura vode nije previsoka. C. Provjerite da nikakvo kruto tijelo ne blokira turbinu. D. Napon ne odgovara podacima sa tablice tehničkih karakteristika.	A.B.C.D. Izvucite utikač i uklonite uzrok koji je izazvao pregrijavanje, pričekajte dok se pumpa ne ohladi i ponovno stavite utikač u utičnicu.

12. JAMSTVO



Bilo kakva promjena koja nije prethodno ovlaštena, oslobađa proizvođača od bilo kakve odgovornosti. Svi rezervni dijelovi korišteni u popravcima moraju biti originalni i sva dodatna oprema mora biti ovlaštena od strane proizvođača, kako bi se mogla jamčiti maksimalna sigurnost strojeva i sustava u kojima se montiraju ove pumpe.

Ovaj proizvod pokriven je legalnim jamstvom (u Europskoj zajednici rok je 24 mjeseca od datuma kupnje) koje se odnosi na sve defekte nastale greškama u proizvodnji ili uslijed korištenog materijala.

Proizvod u jamstvenom roku može biti, po potrebi, zamijenjen proizvodom u savršenom radnom stanju ili besplatno popravljen ako se poštuju sljedeći uvjeti:

- proizvod je korišten na ispravan način i u skladu s uputama i kupac ili treće osobe nisu ga pokušali popraviti ni na koji način;
- proizvod je predat prodajnom mjestu, uz prilog dokumenta koji potvrđuje njegovu kupnju (faktura ili fiskalni račun) i kratki opis problema.

Rotor i dijelovi podložni trošenju nisu pokriveni jamstvom. Intervencija u jamstvenom roku ni u kom slučaju ne produžuje početni period.

TARTALOMJEGYZÉK

1. ALKALMAZÁSOK	49
2. SZIVATTYÚZHATÓ FOLYADÉKOK	49
3. MŰSZAKI ADATOK ÉS FELHASZNÁLÁSOK KORLÁTOZÁSAI.....	49
4. KEZELÉS	50
4.1 Tárolás	50
4.2 Szállítás.....	50
4.3 Súly és méretek	50
5. FIGYELEM	50
6. ÖSSZESZERELÉS.....	50
7. ELEKTROMOS BEKÖTÉS	51
8. BEINDÍTÁS	51
9. ÓVINTÉZKEDÉSE	51
10. KARBANTARTÁS ÉS TISZTÍTÁS	51
10.1 Szívósűrítő tisztítása.....	52
10.2 A forgórész tisztítása	52
10.3 NRV szelep tisztítása	52
11. HIBAKERESÉS.....	52
12. GARANCIA	52

FIGYELEM



A telepítés előtt gondosan olvassa el a dokumentációt:



Minden egyes beavatkozás előtt húzza ki a dugót. Kerülje el a szárazon működést.



Túlterhelés elleni védelem: a szivattyú el van látva egy hővédelmi kapcsolóval a túlterhelés ellen. A motor esetleges túlmelegedésekor a motorvédelem automatikusan kikapcsolja a szivattyút. A lehülési idő kb. 15-20 perc, ezt követően a szivattyú auto-matikusan újraindul. A motorvédelem beavatkozása esetén fontos, hogy beazonosítsa a hibajelenség okát és küszöbölje ki a hiba ismételt lehetőségét. Tanulmányozza a hibakeresési táblázatot.

1. ALKALMAZÁSOK

Többfokozatú búvárszivattyú beépített elektronikával esővízrendszerekben és öntözési rendszerekben használatra, tartályokból, tankokból és tavakból víz kiszivattyúzására és egyéb nagy nyomást igénylő otthoni alkalmazásokra.

A kompakt és jól kezelhető formájának köszönhetően hordozható szivattyúként is használhatók olyan vészhelyzetekben, amelyekben tartályokból vagy folyókból vizet kell szivattyúzni illetve medencéket vagy kutakat kell leereszteni. Kertészkedésnél és hasonló hobbiknál is alkalmas.



Ezeket a szivattyúkat nem szabad medencékben, szennyvízelvezetőkből, személyekkel tele medencékben vagy szénhidrogének szivattyúzására (benzin, gázolaj, üzemanyagok, oldószerek, stb.) használni a témában érvényes baleset-megelőzési szabványok szerint. Mielőtt helyre teszi, érdemes megtisztítani. Lásd a „Karbantartás és Tisztítás“ fejezetet.

2. SZIVATTYÚZHATÓ FOLYADÉKOK

Friss víz	•
Esővíz	•
Tiszta szennyvíz	○
Szennyvíz	○
Kútvíz	•
Folyó-, vagy tóvíz	•
A részecskék mérete max. [mm]	Ø 1

• Alkalmas

○ Nem alkalmas

1. táblázat

3. MŰSZAKI ADATOK ÉS FELHASZNÁLÁSOK KORLÁTOZÁSAI

- Tápfeszültség: 220-240V, lásd az elektromos adatok címkét
- Késleltetett vonal biztosítékok (220-240V verzió): szabványos értékek (Amper)
- Tárolási hőmérséklet: -10°C +40°C

Modell	Vonal olvadóbiztosíték 220-240V 50Hz
P1=900	4
P1=1100	5

2. táblázat

MAGYAR

	Modell	P1=900	P1=1100
Elektromos adatok	P1 Névleges elnyelt teljesítmény [W]	900	1100
	P2 [W]	650	750
	Hálózati feszültség [V]	220-240V	220-240V
	Hálózati frekvencia [Hz]	50	50
	Áram [A]	3.8	4.8
	Kondenzátor [µF]	12.5	12.5
	Kondenzátor [Vc]	450	450
	Hidraulikus adatok	Max. hozam [l/perc]	95
Max. szállítás [m]		36	46
Max. szállítás [bar]		3.6	4.6
Max. merülési mélység [m]		12	12
Min. merülési mélység [cm]		12	12
Bekapcsolási nyomás [bar]		2.6+- 0.2	2.6+- 0.2
Alkalmazási terület	hossz Tápellátó vezeték [m]	15	15
	Vezeték típus	H07 RNF	H07 RNF
	Motor védelmi fok	IP 68	IP 68
	Szigetelési osztály	B	B
	Folyadék hőmérsékleti mező [°C] EN 60335-2-41 szerint otthoni használatra	0 °C / +35 °C	0 °C / +35 °C
	A részecskék mérete max. [mm]	Ø 1	Ø 1
	Max. Szobahőmérséklet [°C]	+40 °C	+40 °C
	Súly	DNM GAS	1" F
Nettó/bruttó súly kb. [kg]		10.8 / 12.8	10 / 12

3. táblázat



A nem az alapzatára támaszkodó szivattyút nem tudja megtartani a tömlők súlyát, ezt más módon kell megtartani.

4. KEZELÉS

4.1 Tárolás

Az összes szivattyút zárt, száraz és a páratartalomtól védett helyen kell tartani, lehetőleg állandóan, rezgésektől és poroktól mentesen. Eredeti csomagolásban szállítjuk, és ebben kell maradniuk a telepítés pillanatáig.

4.2 Szállítás

Kerülje a termék szükségtelen ütközését és ütődését.

4.3 Súly és méretek

A csomagoláson lévő matrica a teljes elektromos szivattyú súlyát és méreteit mutatja.

5. FIGYELEM



A szivattyúkat nem kell szállítani, felemelni vagy felfüggesztve működtetni a tápvezetéket használva, használja a megfelelő akasztót és a csomagban található kötelet.

- A szivattyút ne működtesse szárazon
- A zárószervezet nem mérgező kenőanyagot tartalmaz, ami viszont módosíthatja a víz jellemzőit, ha tiszta vízről van szó, ha a szivattyú szivárog.

6. ÖSSZESZERELÉS

Húzza meg a hollandert a csomagban lévő csatlakozóval, amely ¾" és 1" méretű tömlőkhöz alkalmas, ha nagyobb tömlőt szeretne használni, akkor cserélje ki a csővéget. Ezen kívül használjon tömlőszorítót a tömlő csővégehez rögzítésére. Fig.1

- Ajánlatos legalább ¾" mm belső átmérőjű tömlőket használni, hogy elkerülje a szivattyú teljesítményének csökkenését.
- A beszívás lépései közben az akadályok elkerüléséhez ajánlatos időszakosan ellenőrizni, hogy a gyűjtő ciszternában nincs szennyeződés (levelek, homok, stb.). Ajánlatos legalább 20 cm távolságot tartani az elszívó rács eldugulásának elkerüléséhez (2. ábra).
- Dugja be a dugót 230 V-os konnektorba.
- a szivattyút csak akkor működtesse, miután vízbe merítette. Legalább 12 cm mélyre merítse vízbe. Ha a víz elfogy, a szivattyút azonnal állítsa le, kihúzva a hálózati csatlakozó dugót.
- A szivattyút stabil helyzetben állítsa be a gyűjtő ciszterna fenékrészén vagy az installációs hely (pl. elárasztott helyiség) legalsó pont.

- Ellenőrizze, hogy a ciszterna mérete legalább a következők szerinti legyen:
Alapméretek min. (mm) 150x150 / Magasság min. (mm) 800 Fig 2
- A ciszterna legyen mindig olyan méretű, hogy a beérkező víz mennyiségéhez és a szivattyú hozamához képest is ne helyezze a motort túlzott mennyiségű beindítások/üzemóra alá, ajánlatos a 20 beindítás/üzemóra arányt nem túllépni.



A szivattyút telepítse függőleges helyzetben!

7. ELEKTROMOS BEKÖTÉS



A szivattyún lévő tápvezeték hossza korlátozza a szivattyú használata alatti a maximális merülési mélységet. Tartsa be a műszaki címkén és ebben a 3. táblázatban megadott utasításokat

8. BEINDÍTÁS

Az elektronika automatikusan vezéri a felhasználó által kért vízhez a működésben lévő szivattyú bekapcsolását és kikapcsolását (ON/OFF)

Az elektronika védi is a szivattyút a szárazfutás (víz nélküli üzemelés) ellen.

- Telítődési fázis: Ebben a fázisban a szivattyú 4 db. 30 másodperces indítási kísérletet végez (motor ON) melyek között 3 másodperces szünetek (Motor OFF) vannak. Amennyiben hiányzik a víz, a szivattyú leáll egy órára, majd végez egy újabb telítődési kísérletet. Ha ez a kísérlet is sikertelen lesz, a szünet 5 óras lesz, végül a beépített elektronika 24 óránként ismétli a telítődési kísérleteket egészen addig amíg a vízszint elégséges nem lesz a normál működéshez.
- Normál működés: Ha a működés folyamán a vízszállítás 40 másodpercig kisebb mint a minimális szállítási teljesítmény, a szivattyú alarm állapotba lép és egy órára leáll. Ezután, ha a vízszint továbbra is elégtelen, a szivattyú belép a telítődési fázisba (lásd fent ismertetve).

A szivattyú elektronikája véd az egyirányú szelep (eredeti rövidítése: "VNR") meghibásodásával szemben is. Ezeket a meghibásodásokat általában a lerakódások, vagy a homok okozhatja. A lerakódások megakadályozhatják az egyirányú szelep záródását, ezért a szivattyú vízhiány esetén is tovább működhetne. Itt viszont a szivattyú óránként automatikusan leáll; ha minden normális, a felhasználó csak egy enyhe nyomás visszaesést érez pár másodpercre. Amennyiben viszont az egyirányú szelep (VNR) megszorult, a szivattyú alarm (vészhelyzeti) állapotba lép és csak a dugulási hiba okának megszüntetése esetén lehet ismét működésbe hozni.

Hozamellenőrzés:

A hozamellenőrzés kikapcsolja a szivattyút, ha nincs elszívható víz. Ha a nyomásoldalon nem szűnik meg a szivárgás (pl. a vízcsap vagy a rugalmas tömlő nem zárnak), akkor a szivattyú rövid intervallumokban bekapcsol és kikapcsol. Ha a szivattyú 2 perc alatt több, mint 7 alkalommal bekapcsol és kikapcsol (< 6 l/h veszteség esetén), akkor ez teljesen kikapcsol. Miután a nyomásoldalon elhárította a szivárgást, húzza ki és ismét dugja be a szivattyút, amíg ismét használható lesz.

A szivattyú ideális munkapozíciója a teljesen vízbe merült állapot. Mindazonáltal a motor hűtőrendszere lehetővé teszi, hogy rövid időszakokra a minimális szívási magasságig (50 mm) merülve működjön a szivattyú.

A szivattyú el van látva egy rozsdamentes acélból készült üledékszűrővel.

9. ÓVINTÉZKEDÉSE

FAGYVÉDELEM: amikor a szivattyú 0°C alatti hőmérsékleten van, akkor ellenőrizze, hogy nincsenek vízmaradványok, amelyek megfagyva megrepedezhetnek a műanyag részeket.

Ha a szivattyút lerakódásra hajlamos részekkel használta vagy klóros vízzel, akkor a használat után öblítse ki erős vízszugárral, hogy elkerülje a lerakódások vagy szennyeződések képződését, amelyek csökkentenék a szivattyú jellemzőit.

10. KARBANTARTÁS ÉS TISZTÍTÁS

Az elektromos szivattyú normális működés közben nem igényel semmilyen karbantartást. Mindenesetre az összes javítási és karbantartási közbeavatkozást csak akkor végezze, miután a szivattyút leválasztotta a táphálózatról. Amikor újraindítja a szivattyút, akkor ellenőrizze, hogy mindig fel legyen szerelve a beszívó szűrő, hogy ne okozzon veszélyt és véletlen kapcsolatot a mozgásban lévő részekkel.

10.1 Szívószűrő tisztítása

- Húzza ki az elektromos szivattyú tápellátását.
- Eressze le a szivattyút
- Tisztítsa meg egy vízszaggal és egy kefével.

10.2 A forgórész tisztítása

- Húzza ki az elektromos szivattyú tápellátását.
- Eressze le a szivattyút
- Hajtsa ki a 8 rögzítőcsavart a szűrő alján 3. ábra.
- Távolítsa el a szűrőt 4. ábra.
- Tartsa kézben a forgórészt és hajtsa ki az anyát 5. ábra
- Húzza ki a forgórészt, a diffúzort, a gyűrűt és az O-gyűrűt.
- Ismétlje meg az össze forgórésznél
- Mossa meg a szivattyút tiszta vízzel, hogy eltávolítsa a motor és a szivattyú burkolata közti lehetséges szennyeződések (d).
- Tisztítsa meg a forgórészt (d).
- Ellenőrizze, hogy a forgórész szabadon foroghasson.
- Szerelje össze az összes részt a szétszerelési sorrenddel ellenkező sorrendben

10.3 NRV szelep tisztítása**(Fig.6)**

- Húzza ki az elektromos szivattyú tápellátását.
- Távolítsa el a kart a rögzítőcsavarok kihajtásával 6. ábra
- Hajtsa ki a 6 csavart az előremenő fedélen 7. ábra
- Húzza ki az előremenő fedelet és a homokvédő szűrőt 8. ábra
- Távolítsa el a visszacsapó szelepet és tisztítsa meg a szennyeződésektől 9. ábra Szerelje össze az összes részt a szétszerelési sorrenddel ellenkező sorrendben

11. HIBAKERESÉS

Mielőtt elkezd a hibakeresést, áramtalanítani kell a szivattyút a tápkábel dugaszának kihúzásával. Ha a tápkábel vagy maga a szivattyú bármely része megsérült, a javítást vagy cserét a gyártónak vagy a gyártó által megbízott szakszervíznek vagy olyan műszaki szá-kembernek kell elvégeznie aki az előzőekkel azonos képzettségű, és képes megelőzni minden veszélylehetőséget.

Hibajelenség	A hiba okai	Teendők
A szivattyú nem indul	A. Nincs tápfeszültség alá helyezve a szivattyút. B. Egyirányú szelep megszorult nyitott állapotban. C. Vízhány.	A. Ellenőrizze a tápfeszültséget. B. Tisztítsa a szelepet. C. Állítsa helyre a vízszintet.
A szivattyú nem szállít vizet	A. A szívórács és a csővezeték eldugult. B. A járókerék kopott vagy megszorult. C. Az igényelt emelési magasság nagyobb, mint amit a szivattyú képes leadni.	A. Távolítsa el a szennyeződést. B. Cserélje a járókereket vagy küszöbölje ki a megszorulást.
A szállítási teljesítmény nem elégséges	A. A szívórács és a csővezeték eldugult. B. A járókerék vagy a nyomócső részlegesen eldugult vagy lerakódások vannak jelen.	A. Távolítsa el az esetleges szennyeződést. B. Távolítsa el az esetleges szennyeződést.
A szivattyú leáll (a hővédelem biztonsági kapcsolójának valószínűsíthető beavatkozása)	A. Túl sűrű a szivattyúzandó folyadék és túlmelegszik a motor. B. A vízhőmérséklet túl magas. C. Egy szilárd test blokkolja a járókereket. D. A tápfeszültség nem felel meg a szivattyú adattábláján feltüntetett értékeknek.	A.B.C.D. Húzza ki az elektromos csatlakozó dugaszt és szüntesse meg a túlmelegedés okát. Várja meg a szivattyú lehűlését és helyezze azt újra áram alá.

12. GARANCIA

Bármilyen előzetes engedély nélküli módosítás felmenti a gyártót minden felelősség alól. A javításoknál használt összes pótalkatrész legyen eredeti és az összes kiegészítő legyen a gyártó által engedélyezett, hogy a gépek valamint a berendezések maximális biztonsága, amelyekre felszerelik, garantálható legyen.

Ezt a terméket a törvény által előírt garancia védi (az Európai Közösség országaiban 24 hónap a vásárlás dátumától kezdődően), amely az összes gyártási hibára és használt anyag hibájára vonatkozik.

A garanciás terméket esetleg ki is cseréljük egy tökéletesen működő másik termékre vagy ingyenesen megjavítjuk, ha a következő feltételek adottak:

- a terméket helyesen és az utasításoknak megfelelően működteti és nem próbálja meg megjavítani sem a vásárló sem harmadik személy.
- A terméket a vásárlás helyén adja át, a vásárlást igazoló nyugtával (áfás számla vagy nyugta) és az észlelt hiba leírásával együtt.

A forgórész és a részek kopórészek, ezek nem tartoznak a garancia alá. A garanciás közbeavatkozás nem hosszabbítja meg az eredeti garanciás időszakot.

TURINYS

1. NAUDOJIMO SRITIS	53
2. SIURBIMUI TINKAMI VANDENYS	53
3. TECHNINIAI DUOMENYS IR NAUDOJIMO APRIBOJIMAI	53
4. GESTIONE	54
4.1 Laikymas	54
4.2 Transportavimas	54
4.3 Svoris ir matmenys	54
5. ĮSPĖJIMAI	54
6. ĮRENGIMAS	54
7. ELEKTROS ĮRANGOS PRIJUNGIMAS	55
8. PALEIDIMAS	55
9. ATSARGUMO PRIEMONĖS	55
10. PRIEŽIŪRA IR VALYMAS	55
10.1 Įsiurbimo filtro valymas	56
10.2 Sparnuotės valymas	56
10.3 Negrįžtamojo vožtuvo valymas	56
11. GEDIMŲ PAIEŠKA	56
12. GARANTIJA	56

ĮSPĖJIMAI



Prieš įrengdami siurbį, atidžiai perskaitykite visus dokumentus:



Prieš imdamiesi bet kokių veiksmų, ištraukite kištuką iš elektros lizdo. Siurblys jokia būdu negali veikti be vandens sausiai.



Apsauga nuo per didelės apkrovos. Siurblyje įrengta šiluminė variklio apsauga. Tuo atveju, jei variklis per daug įkaistų, variklio apsauga automatiškai išjungtų siurbį. Variklis atvėsta per maždaug 15-20 min. ir vėl automatiškai įsijungia. Suveikus variklio apsaugai, būtina surasti ir pašalinti to priežastį. Skaitykite skyrių „Gedimų paieška“.

1. NAUDOJIMO SRITIS

Daugiapakopis panardinamas siurblys su integruota elektronine sistema puikiai tinkantis naudoti lietaus vandens ir drėkinimo sistemose, taip pat vandeniui iš rezervuarų, cisternų, tvenkinių siurbti ir kitam aukšto slėgio nereikalaujančiam buitiniam naudojimui. Dėl savo kompaktiškos ir patogios formos taip pat gali būti naudojami kaip kilnojami siurbliai avarinių situacijų atvejais, pavyzdžiui, vandeniui iš rezervuarų ar upių siurbti, baseinams ir fontanams ištuštinti. Siurbliai taip pat tinka sodininkystei ir kitai mėgėjiškai veiklai.



Šie siurbliai negali būti naudojami baseinuose, tvenkiniuose ir kituose vandens telkiniuose tuomet, kai juose yra žmonių, arba angliavandeniliams (benzinui, dyzelinui, degiosioms alyvoms, tirpikliams ir pan.) persiurbti vadovaujantis galiojančių nelaimingų atsitikimų prevencijos taisyklių reikalavimais. Pasinaudojus rekomenduojama išvalyti. Žiūrėti skyrių „Priežiūra ir valymas“.

2. SIURBIMUI TINKAMI VANDENYS

Švarūs vandens	•
Lietaus vanduo	•
Nekenksmingi nutekamieji vandens	○
Purvini vandens	○
Fontanų vanduo	•
Upių ar ežerų vanduo	•
Didž. dalelių matmenys (mm)	Ø 1

1 lentelė

- Tinkami siurbimui vandens
- Netinkami siurbimui vandens

3. TECHNINIAI DUOMENYS IR NAUDOJIMO APRIBOJIMAI

- Maitinimo įtampa: 220-240V, žiūrėkite elektrinių komponentų duomenų plokštelėje.
- Išjungimo vėlinimo linijiniai lydiei saugikliai (220-240V versija): valori indicativi (Ampere)
- Laikymo temperatūra: -10°C +40°C

Modelis	Linijiniai lydiei saugikliai 220-240V 50Hz
P1=900	4
P1=1100	5

2 lentelė

LIETUVIŲ

	Modelis	P1=900	P1=1100
Elektros duomenys	P1 Absorbuota nominali galia (W)	900	1100
	P2 [W]	650	750
	Tinklo įtampa (V)	220-240V	220-240V
	Tinklo dažnis (Hz)	50	50
	Srovė (A)	3.8	4.8
	Kondensatorius (µF)	12.5	12.5
	Kondensatorius (Vc)	450	450
Hidrauliniai duomenys	Didž. našumas (l/min.)	95	95
	Didž. kėlimo aukštis (m)	36	46
	Didž. kėlimo slėgis (bar)	3.6	4.6
	Didž. panardinimo gylis (m)	12	12
	Maž. panardinimo aukštis (cm)	12	12
	Įsijungimo slėgis (bar)	2.6+- 0.2	2.6+- 0.2
Galimas naudojimas	Maitinimo kabelio ilgis (m)	15	15
	Kabelio tipas	H07 RNF	H07 RNF
	Variklio apsaugos laipsnis	IP 68	IP 68
	Izoliacinė klasė	B	B
	Skysčių temperatūros ribos [°C] pagal EN 60335-2-41 standartą dėl buitinių prietaisų	0 °C / +35 °C	0 °C / +35 °C
	Didž. dalelių matmenys (mm)	Ø 1	Ø 1
	Didž. aplinkos temperatūra (°C)	+40 °C	+40 °C
Svoris	Hidraulinės dalies dydis DNM GAS	1" F	1" F
	Apytikslis neto (grynasis) / bruto (bendrasis) svoris (kg)	10.8 / 12.8	10 / 12

3 lentelė.



Į pagrindą neatremtas siurblys negali išlaikyti vamzdžių svorio, todėl jiems turi būti užtikrinama kita atrama.

4. GESTIONE

4.1 Laikymas

Visi siurbliai turi būti laikomi uždaroje sausose patalpose, kuriose, jeigu įmanoma, būtų palaikomas pastovus drėgnumo lygis ir kuriose nėra vibracijos bei dulkių. Siurbliai pristatomi originalioje pakuotėje ir turi būti jose laikomi iki įrengimo pradžios.

4.2 Transportavimas

Venkite smūgių ir įrenginio susidūrimo su kitais daiktais.

4.3 Svoris ir matmenys

Ant pakuotės priklijuotoje lentelėje nurodytas bendras elektrinio siurblio svoris ir jo matmenys.

5. ĮSPĖJIMAI



Siurblių jokia būdu negalima perkelti iš vienos vietos į kitą, kelti į viršų ar leisti jiems veikti pakabinius juos naudojant maitinimo kabelį, naudokite tam skirtą rankeną ir pridėtą virvę.

- Siurblys niekuomet neturi veikti tuščiaja eiga („sausai“).
- Sandarinimo sistemoje yra naudojamas netoksiniis tepalas, tačiau jis gali pakeisti švaraus vandens savybes nedidelio nuotėkio iš siurblio atveju.

6. ĮRENGIMAS

Prisukite pridėtą jungtį, skirtą ¾" ir 1" matmenų vamzdžiams (žarnoms), norėdami naudoti didesnio skersmens vamzdį (žarną), pakeiskite jungtį. Taip pat naudokite vamzdžių tvirtinimo juostą vamzdžiui (žarnai) prie jungties pritvirtinti. 1 pav.

- Rekomenduojama naudoti vamzdžius (žarnas), kurių vidinis skersmuo būtų ne mažesnis kaip ¾" mm, siekiant išvengti neigiamo poveikio eksploatacinėms siurblio savybėms.
- Siekiant, kad neužsikimšų įsiurbimo angos, rekomenduojama reguliariai patikrinti, ar vandens surinkimo šulinyje cisternoje neprisikaupė nešvarumų (lapų, smėlio ir kt.). Patariama siurblių įrengti ne mažiau kaip 20 cm atstumu, siekiant išvengti įsiurbimo grotelių užsikimšimo (2 pav.).
- Įkiškite maitinimo kabelio kištuką į 230 V elektros lizdą.
- Siurblių galima įjungti tik panardinus jį į vandenį. Atsižvelkite į tai, kad jis turi būti paniręs ne mažiau kaip 12 cm. Jeigu vanduo išsenka, siurblių nedelsiant reikia sustabdyti, atjungiant jį nuo elektros lizdo.

LIETUVIŲ

- Siurblij reikia stabiliai pastatyti vandens surinkimo cisternos viduje ar bet kuriuo atveju žemiausioje įrengimo patalpos vietoje.
- Pasirūpinkite, kad vandens surinkimo cisternos matmenys atitiktų šiuos matmes:
Pagrindo matmenys min. (mm) 150x150 / Aukštis min. (mm) 800 2 pav.
- Reikia visada įvertinti cisternos matmenis atsižvelgiant ir į įtekancio vandens kiekį bei siurblio našumą siekiant, kad siurblys neįsijungtų per dažnai; griežtai rekomenduojama stebėti, kad neįsijungtų daugiau kaip 20 kartų per valandą.



Siurblys turi būti įrengiamas vertikaliajoje padėtyje!

7. ELEKTROS ĮRANGOS PRIJUNGIMAS



Siurblio maitinimo kabelio ilgis riboja didžiausią siurblio panardinimo gylį. Vadovaukitės techninių duomenų lentelėje ir šio vadovo 3 lentelėje pateiktais parametrais.

8. PALEIDIMAS

Siurblio įsijungimą / išsijungimą, atsižvelgiant į naudotojo numatytą vandens kiekį, valdo automatinė elektroninė sistema.

Elektroninė sistema apsaugo, kad siurblys neveiktų be vandens sausiai.

- Parengiamasis etapas: parengiamuoju etapu siurblys atlieka keturis 30 s trunkančius bandymus (variklis įjungtas) kas 3 s (variklis išjungtas). Tuo atveju, kai trūksta vandens, siurblys sustoja valandai ir vėl pradeda parengiamąjį etapą. Jeigu ir šis bandymas nepavyksta, pertrauka trunka 5 valandas, tuomet elektroninė sistema pradeda parengiamąjį etapą kas 24 val., kol atsiranda pakankamai vandens, kad siurblys galėtų įprastai veikti.
- Įprastas veikimas: jeigu siurbliui veikiant, 40 s vandens sunaudojama mažiau negu numatyta atsižvelgiant į mažiausią siurblio našumą, siurblys duoda signalą ir sustoja 1 valandai. Paskui, jeigu vandens lygis yra nepakankamas, siurblys sugrįžta į parengiamąjį etapą.

Elektroninė sistema apsaugo siurblij nuo negrįžtamojo vožtuvo gedimų, kurie įprastai kyla dėl nešvarumų ar smėlio nuosėdų. Nuosėdos trukdo negrįžtamajam vožtuvui užsidaryti, todėl siurblys veikia ir tuomet, kai trūksta vandens. Mūsų modelio atveju siurblys automatiškai išjungiamas kas valandą; jeigu viskas gerai, naudotojas pastebi tik labai nedidelį kelias sekundes trunkantį slėgio nukritimą. Jeigu negrįžtamasis vožtuvas yra užstrigęs, siurblys duoda signalą ir vėl pradeda veikti tik pašalinus užsikimšimo priežastis.

Našumo tikrinimas:

Tikrinant našumą siurblys išjungiamas, jeigu paimama nepakankamai vandens. Jeigu yra nuotėkis slėgio pusėje (pvz., vandens čiaupas ar lankstus nesandarus vamzdis), siurblys įsijungia ir išsijungia labai dažnai. Jeigu siurblys įsijungia ir išsijungia daugiau kaip 7 kartus per 2 minutes (nuotėkio atveju < 6 l/h), jis visiškai išsijungs. Pašalinus nuotėkį slėgio pusėje, reikia atjungti ir vėl prijungti siurblij, kad jį būtų galima toliau naudoti.

Geriausia dirbti, kai siurblys visiškai panardintas; vis dėlto dėl variklio aušinimo sistemos trumpą laiką siurblij galima naudoti mažiausiame įsiurbimo aukštyje (50 mm).

Siurblyje įrengtas didesnių dalelių filtras iš nerūdijančio plieno.

9. ATSARGUMO PRIEMONĖS

UŽŠALIMO PAVOJUS: kai siurblys nenaudojamas esant žemesnei kaip 0 °C temperatūrai, būtina įsitikinti, kad neliko vandens likučių, kuriems sustingus į ledą, gali trūkti plastikinės dalys.

Jeigu siurblys naudotas su nusėdančiomis medžiagomis arba chloruotu vandeniu, panaudoję jį praplaukite stipria vandens srove, kad nesusidarytų nuosėdos ar nuogulos, kurios turėtų neigiamos įtakos siurblio techninėms savybėms.

10. PRIEŽIŪRA IR VALYMAS

Normaliomis sąlygomis naudojamam siurbliui nereikia jokios priežiūros. Bet kuriuo atveju priežiūros ir taisymo darbai gali būti atliekami tik išjungus siurblij iš maitinimo tinklo. Prieš vėl įjungiant siurblij, reikia įsitikinti, kad buvo įdėtas įsiurbimo filtras, priešingu atveju yra pavojus atsitiktinai prisiliesti prie ju-dančių ir besisukančių dalių.

LIETUVIŲ

10.1 Įsiurbimo filtro valymas

- Išjunkite siurbį iš elektros maitinimo šaltinio.
- Nusausinkite siurbį.
- Plaukite po vandens srove su šepečiu

10.2 Sparnuotės valymas

- Išjunkite siurbį iš elektros maitinimo šaltinio.
- Nusausinkite siurbį.
- Atsukite 8 tvirtinamuosius varžtus, esančius ant filtro pagrindo (3 pav.)
- Nuimkite pagrindą ir filtrą (4 pav.)
- Prilaikydami sparnuotę, atsukite veržlę (5 pav.)
- Ištraukite sparnuotę, difuzorių, žiedą ir guminį žiedą *o-ring*
- Pakartokite šiuos veiksmus su kiekviena sparnuote
- Išplaukite siurbį švariu vandeniu, pašalindami galimus nešvarumus, susikaupusius tarp variklio ir siurblio korpuso.
- Nuvalykite sparnuotę.
- Įsitinkite, kad sparnuotė gali laisvai sukstis.
- Surinkite siurbį, atlikdami aprašytus veiksmus tvarkingai.

10.3 Negrįžtamojo vožtuvo valymas

(6 pav.)

- Išjunkite siurbį iš elektros maitinimo šaltinio.
- Nuimkite rankeną atsukdami du tvirtinamuosius varžtus (6 pav.)
- Atsukite 6 varžtus, esančius ant tiekimo vamzdžio dangčio (7 pav.)
- Nuimkite tiekimo vamzdžio dangtį ir smėlio filtrą (8 pav.) Nuimkite sulaikymo vožtuvą ir išvalykite galimus nešvarumus (9 pav.). Surinkite dalis, atlikdami aprašytus veiksmus atvirkštine tvarka.

11. GEDIMŲ PAIEŠKA



Prieš pradėdami ieškoti gedimų, būtina nutraukti elektros tiekimą siurbliui (ištraukite kištuką iš elektros lizdo). Jeigu maitinimo kabelis arba kuri nors siurblio elektrinė dalis yra pažeista, taisymo ar keitimo darbus privalo atlikti Gamintojas arba jo techninės priežiūros tarnyba, arba atitinkamą kvalifikaciją turintis asmuo, kad būtų išvengta bet kokios rizikos.

Gedimai	Priežastys	Sprendimai
Siurblys neįsijungia	A. Siurblys neprijungtas prie elektros. B. Negrįžtamasis vožtuvas užstrigęs atviroje padėtyje. C. Trūksta vandens.	A. Patikrinkite elektros tiekimą. B. Išvalykite negrįžtamąjį vožtuvą. C. Atstatykite vandens lygį.
Siurblys nepadauda vandens	A. Užsikimšo įsiurbimo grotelės arba vamzdžiai (žarnos). B. Nusidėvėjo arba užstrigo sparnuotė. C. Reikalaujamas slėgis viršija siurblio parametrus.	A. Pašalinkite kamščius. B. Pakeiskite sparnuotę arba pašalinkite užstrigimo priežastį.
Nepakankamas našumas	A. Iš dalies užsikimšo įsiurbimo grotelės. B. Iš dalies užsikimšo sparnuotė arba tiekimo vamzdis arba juose susikaupė nuosėdų.	A. Pašalinkite susidariusius kamščius. B. Pašalinkite susidariusius kamščius.
Siurblys sustoja (gali būti, kad suveikia šiluminis saugos jungiklis)	A. Siurbiamas vanduo per tirštas, todėl per daug įkaista variklis. B. Per aukšta vandens temperatūra. C. Kietasis kūnas strigdo sparnuotę. D. Tiekiami elektros energija neatitinka lentelėje nurodytų parametrų.	A.B.C.D. Ištraukite kištuką iš elektros lizdo ir pašalinkite priežastį, dėl kurios per daug įkaito variklis, palaukite, kol siurblys atvės ir vėl įkiškite kištuką.

12. GARANTIJA



Bet kokios iš anksto nesuderintos modifikacijos, atliktos negavus gamintojo leidimo, atleidžia gamintoją nuo bet kokios atsakomybės. Visos atsarginės dalys, naudojamos atliekant taisymo darbus, turi būti originalios, visi priedai gali būti naudojami tik gavus gamintojo leidimą, siekiant užtikrinti didžiausią mašinų ir įrenginių, į kuriuos įmontuojamos šios dalys ir priedai, saugumą.

Šiam gaminiui galioja teisinė garantija (Europos Bendrijoje 24 mėnesius nuo įsigijimo dienos) visiems defektams, atsiradusiems dėl gamintojo kaltės ar dėl naudotų medžiagų.

Gaminys garantijos laikotarpiu gali būti pakeistas kitu puikiai veikiančiu įrenginiu arba nemokamai pataisytas tik tuo atveju, jeigu laikytasi šių sąlygų:

- gaminys naudotas tinkamai, laikantis instrukcijų, nei pirkėjas, nei tretieji asmenys jo nebandė taisyti;
- gaminys pristatytas į pirkimo vietą su pirkimą patvirtinančiais dokumentais (sąskaita faktūra arba kasos kvitu) ir glaustu pastebėtos problemos aprašymu.

Sparnuotei ir visoms kitoms nusidėvinčioms dalims garantija negalioja. Pasinaudojus garantija, pradinis garantijos laikotarpis jokių būdu nepailgėja.

SATURA RĀDĪTĀJS

1. LIETOJUMI.....	57
2. SŪKNĒJAMIE ŠKIDRUMI	57
3. TEHNISKĀS SPECIFIKĀCIJAS UN LIETOŠANAS IEROBEŽOJUMI.....	57
4. PĀRVALDĪBA	58
4.1 Uzglabāšana	58
4.2 Transportēšana	58
4.3 Svārs un izmēri.....	58
5. BRĪDINĀJUMS.....	58
6. UZSTĀDĪŠANA.....	58
7. ELEKTRISKAIS SAVIENOJUMS	59
8. IEDARBINĀŠANA.....	59
9. DROŠĪBAS BRĪDINĀJUMI.....	59
10. TEHNISKĀ APKOPE UN TĪRĪŠANA.....	59
10.1 Nosūkšanas filtra tīrīšana	60
10.2 Lāpstīgrīteņa tīrīšana	60
10.3 Pretvārsta tīrīšana	60
11. TRAUCĒJUMMEKLĒŠANA	60
12. GARANTĪJA.....	60

BRĪDINĀJUMS



Pirms uzstādīšanas rūpīgi izlasiet visu dokumentāciju:



Pirms jebkuras rīcības atvienojiet kontaktdakšu. Jebkādā veidā izvairieties no darbības bez ūdens.



Aizsardzība pret pārslodzi. Sūknis ir aprīkots ar motora termisko pārslodzes aizsargu. Motora iespējamās pārkaršanas gadījumā motora termiskās pārslodzes aizsargs automātiski izslēdz sūkni. Dzesēšanas laiks ir apmēram 15-20 min., un pēc tam sūknis automātiski ieslēdzas no jauna. Pēc motora termiskās pārslodzes aizsarga nostrādāšanas ir absolūti nepieciešams atrast cēloni un novērst to. Skatīt nodaļu „Traucējummeklēšana”.

1. LIETOJUMI

Daudzpakāpju iegremdējamais sūknis ar integrētu elektroniku ir ideāli piemērots izmantošanai lietusūdens un apūdeņošanas tīklu sistēmās, lai sūknētu ūdeni no tvertnes, cisternas, dīķiem un citiem vietējiem lietojumiem, kas prasa augstu spiedienu.

Pateicoties to kompaktajai formai un parocīgumam, tie arī ir ērti īpašiem lietojumiem, piemēram, kā portatīvie sūkņi avārijas gadījumā ūdens savākšanai no tvertnēm vai upēm, peldbaseinu un strūklaku iztukšošanai. Piemērots arī dārzkopībai un hobijam kopumā.



Saskaņā ar spēkā esošajiem drošības noteikumiem, šos sūkņus nevar izmantot peldbaseinos, dīķos, ūdenskrātuvēs ar personu klātbūtni un, vai ogļūdeņražu (benzīna, dīzeļdegviela, degviellejla, šķīdinātāji u.c.) sūkņēšanai. Pirms uzglabāšanas laba prakse ir nodrošināt tīrīšanas posmu. Skatīt nodaļu "Tehniskā apkope un tīrīšana".

2. SŪKNĒJAMIE ŠKIDRUMI

Saldūdens	•
Lietusūdens	•
Tīri notekūdeņi	○
Netīrs ūdens	○
Strūklakas ūdens	•
Upju un ezeru ūdens	•
Dalīņu lielums, maks. [mm]	Ø 1

1.tabula

- Piemērots
- Nepiemērots

3. TEHNISKĀS SPECIFIKĀCIJAS UN LIETOŠANAS IEROBEŽOJUMI

- **Barošanas spriegums: 220-240V**, skatiet elektrisko datu plāksnītes
- **Līnijas aizkavētas darbības drošinātāji (220-240V versija):** indikatīvās vērtības (ampēri)

Modelis	Līnijas 220-240V, 50Hz drošinātāji
P1=900	4
P1=1100	5

2.tabula

LATVIEŠU

- **Uzglabāšanas temperatūra: -10°C +40°C**

	Modello	P1=900	P1=1100
Elektriskie dati	P1 Nominālais enerģijas patēriņš [W]	900	1100
	P2 [W]	650	750
	Tīkla spriegums [V]	220-240V	220-240V
	Tīkla frekvence [Hz]	50	50
	Strāva [A]	3.8	4.8
	Kondensators [uF]	12.5	12.5
	Kondensators [Vc]	450	450
Santehnikas dati	Plūsma, maks. [l/min]	95	95
	Izplatība, maks. [m]	36	46
	Izplatība, maks. [bar]	3.6	4.6
	Maks. iegremdēšanas dziļums	12	12
	Min. iegremdēšanas augstums [cm]	12	12
	Ieslēgšanas spiediens [bāri]	2.6+ 0.2	2.6+ 0.2
Paredzētā lietošana	Strāvas kabeļa gar. [m]	15	15
	Tipo cavo	H07 RNF	H07 RNF
	Motora aizsardzības pakāpe	IP 68	IP 68
	Izolācijas klase	B	B
	Šķidrums temperatūras lauks [°C], atbilstoši EN 60335-2-41 prasībām, lietošanai mājas apstākļos	0 °C / +35 °C	0 °C / +35 °C
	Daļiņu lielums, maks. [mm]	Ø 1	Ø 1
	Maks. vides temperatūra [°C]	+40 °C	+40 °C
	Svars	DNM GAS	1" F
	Neto/bruto svars apt. [kg]	10.8 / 12.8	10 / 12

3. tabula



Sūkņi, kas nav atbalstīti uz pamata, nevar izturēt cauruļu svaru, kurš jābalsta citādi.

4. PĀRVALDĪBA

4.1 Uzglabāšana

Visi sūkņi jāuzglabā slēgtā, sausā telpā ar pēc iespējas konstantu mitruma procentu, bez vibrācijām un putekļiem. Sūkņi pienāk savā oriģinālajā iepakojumā, kurā atrodas līdz uzstādīšanai.

4.2 Transportēšana

Izvairieties izstrādājumus pakļaut nevajadzīgu triecienu un sadursmju ietekmei.

4.3 Svars un izmēri

Uzlīmē uz iepakojuma tiek norādīts elektriskā sūkņa kopējais svars un tā izmēri.

5. BRĪDINĀJUMS



Sūkņus nekad nedrīkst transportēt, pacelt vai paceltus darbināt ar strāvas kabeļa palīdzību; izmantojiet speciālu rokturi un komplektācijā iekļauto vadu.

- Sūkņi nekad nedrīkst darbināt bez ūdens.
- Blīvēšanas ierīce satur netoksisku smērēļļu, bet, kas var izmainīt ūdens raksturlielumus tīra ūdens gadījumā, ja sūkņim ir noplūde.

6. UZSTĀDĪŠANA

Pieskrūvējiet nipelī komplektācijā iekļautajam konektoram, kas piemērots ¾ collas un 1 collas cauruļu izmēriem; gadījumā, ja vēlaties izmantot caurules ar lielāku diametru, ir jānomaina stiprinājums. Turklāt, izmantojiet šļūteņu skavu, lai cauruli nostiprinātu uz konektora. (1. att.).

- Ieteicams izmantot caurules ar minimālo iekšējo diametru ¾ collas, lai izvairītos no sūkņa veiktspējas samazināšanās.
- Lai novērstu ieplūdes elementu aizsērēšanu, ieteicams periodiski pārbaudīt, vai savākšanas cisternā nav uzkrājušies netīrumi (lapas, smiltis, u.c.), un jāievēro 20 cm minimālais attālums, lai izvairītos no ieplūdes režģa (2.att) aizsērēšanas.

LATVIEŠU

- Pievienojiet strāvas vada kontaktdakšu elektrības kontaktligzdai 230 V. Sūkni drīkst darbināt tikai tad, ja tas iegremdēts ūdenī. Jānodrošina vismaz 12 cm iegrimē. Ja ūdens iztek, sūknis ir nekavējoties jāizslēdz, atvienojot elektrības kontaktligzdu.
- Sūknis stabili jānovieto savākšanas cisternā vai jebkurā gadījumā uzstādīšanas telpas zemākajā punktā.
- Nodrošināt, lai savākšanas cisternai būtu šādi minimālie izmēri:
Pamata izmēri min. (mm) 150x150 / Augstums min. (mm) 800 2att
- Cisternas izmēriem vienmēr jāatbilst iepilnstošā ūdens daudzumam un sūkņa plūsmas ātrumam tā, lai motoru nepakļautu pārmērīgām starta reizēm/stundā, un ir cieši iesakāms nepārsniegt 20 starta reizes/stundā.



Sūknis jāuzstāda vertikālā stāvoklī!

7. ELEKTRISKAIS SAVIENOJUMS



Sūkņa strāvas kabeļa garums ierobežo maksimālo iegremdēšanas dziļumu, izmantojot sūkni. Ievērojiet datu plāksnītes un šīs instrukcijas 3. tabulas norādījumus.

8. IEDARBINĀŠANA

Elektroniskā vadības ierīce automātiski ieslēdz un izslēdz (ON/OFF) sūkni atkarībā no lietotāja ūdenspatēriņa.

Elektroniskā ierīce aizsargā lietotni no darbības apstākļos bez ūdens

- Sagatavošanas posms: sagatavošanas posma laikā sūknis veic četrus 30 min. mēģinājumus (motors ON (IESLĒGTS)), kam seko 3 min. pauze (motors OFF (IZSLĒGTS)). Gadījumā, ja nav ūdens, sūknis uz stundu pārtrauc darboties un pēc veic jaunu sagatavošanas mēģinājumu. Ja šis mēģinājums neizdodas, tiek ieturēta 5 stundu pauze, un tiek atkārtots sagatavošanas mēģinājums ik pēc 24 stundām, līdz ūdens līmenis kļūst nepietiekams normālas darbības veikšanai.
- Normāla darbība: ja 40 min. ekspluatācijas laikā ūdens patēriņš ir zemāks par minimālo plūsmas ātrumu, sūknis pāriet avārijas stāvoklī un uz 1 stundu apstājas. Pēc tam, ja ūdens līmenis joprojām ir nepietiekams, sūknis pāriet sagatavošanas posmā

Elektroniskā ierīce aizsargā sūkni no pretvārsta (NRV) bojājumiem, ko parasti izraisa netīrumu vai smilšu inkrustācijas. Inkustācijas neļauj pretvārstam aizvērties, tāpēc lietotne turpina darboties, pat ja nav ūdens. Mūsu gadījumā sūknis tiek izslēgts automātiski ik stundu; ja viss norit normāli, lietotājs jūt tikai ļoti nelielu spiediena kritumu, kas ilgst dažas sekundes. Tomēr, ja pretvārsts ir bloķēts, sūknis pāriet avārijas stāvoklī un atsāk darboties tikai pēc obstrukcijas cēloņa novēršanas.

Plūsmas kontrole:

Plūsmas vadības ierīce sūkni izslēdz, ja nenotiek ūdens izsūkņēšana. Ja rodas noplūde izplūdes pusē (piemēram, ūdens krāns vai šļūtene nav hermētiski), sūknis ieslēdzas un izslēdzas īsos laika intervālos. Ja sūknis ieslēdzas un izslēdzas vairāk par 7 reizēm 2 minūtēs (noplūdes gadījumā <6 l/h), tas pilnībā tiek izslēgts. Ja ir novērsta noplūde izplūdes pusē, atvienot un pievienot sūkni no jauna, lai to varētu atkārtoti izmantot.

Ideāla situācija ir strādāt ar sūkni pilnībā iegremdētu; tomēr motora dzesēšanas sistēma neļauj uz īsu laiku sprīdi izmantošanu līdz minimālajam sūkņēšanas augstumam (50 mm).

Sūknis ir aprīkots ar nerūsējošā tērauda pretgružu filtru.

9. DROŠĪBAS BRĪDINĀJUMI

SALA RISKS: Sūknim neatrodies darbībā pie temperatūras, kas zemāka par 0°C, jānodrošina, lai nebūtu atlikušā ūdens, kas veido apledojuumu un tādejādi var rasties plaisas plastmasas detaļās.

Ja sūknis tiek izmantots ar vielām, kas veido nogulsnes, vai hlorētu ūdeni, pēc lietošanas izskalojiet to ar spēcīgu ūdens strūklu, lai neveidotos nogulsnes vai inkustācijas, kas savukārt samazina sūkņa raksturlielumus.

10. TEHNISKĀ APKOPE UN TĪRĪŠANA

Elektriskajam sūknim normālas ekspluatācijas apstākļos nav nepieciešama tehniskā apkope. Jebkurā gadījumā, visi remonta un tehniskās apkopes darbi jāveic tikai pēc sūkņa atvienošanas no barošanas avota. Sūkni restartējot, pārliecinieties, vai nosūkšanas filtrs vienmēr ir uzstādīts tā, lai neradītu apdraudējumu vai nejauši nesaskartos ar kustīgajām daļām.

LATVIEŠU

10.1 Nosūkšanas filtra tīrīšana

- Izslēgt sūkņa strāvas padevi.
- Veikt sūkņa drenāžu.
- Tīrīt ar ūdens strūklu un suku

10.2 Lāpstīņriteņa tīrīšana

- Izslēgt sūkņa strāvas padevi.
- Veikt sūkņa drenāžu.
- Atskrūvēt 8 skrūves uz filtra pamatnes, 3. att.
- Noņemt filtra pamatni, 4. att.
- Turot lāpstīņriteni, atskrūvēt uzgriezni, 5. att.
- Noņemt lāpstīņriteni, difuzoru, gredzenu un blīvgredzenu.
- Atkārtot ar visiem lāpstīņriteņiem
- Izskalot sūkni ar tīru ūdeni, lai atdalītu iespējamus piemaisījumus starp motoru un sūkņa uznavu.
- Notīrīt lāpstīņriteni.
- Pārbaudīt, vai lāpstīņritis brīvi griežas.
- Montēt attiecīgās detaļas demontāžai pretējā secībā.

10.3 Pretvārsta tīrīšana

(6 att.)

- Izslēgt sūkņa strāvas padevi.
- Noņemt rokturi, atskrūvējot divas stiprinājuma skrūves, 6. att.
- Atskrūvēt 6 skrūves uz padeves pārsega, 7. att.
- Izvilkt padeves pārsegu plūsmas un pretsmilšu filtru, 8. att.
- Noņemt pretvārstu un iztīrīt to, 9. att.
- Montēt attiecīgās detaļas demontāžai pretējā secībā.

11. TRAUCĒJUMMEKLĒŠANA



Pirms sākt traucējummeklēšanu, nepieciešams atvienot elektriskos savienojumus (atvienot kontaktdakšu). Ja barošanas kabeļa vai sūkņa jebkura elektriskā daļa ir bojāta, tās remonts vai nomaiņa jāveic ražotājam vai tā tehniskās palīdzības pakalpojuma dienestam vai personai ar līdzvērtīgu kvalifikāciju, lai novērstu visus riskus.

Bojājumi	Cēloņi	Risinājums
Sūknis neieslēdzas	A. Sūknis ir bez strāvas padeves B. Pretvārsts iestrēdzis atvērtā stāvoklī C. Nav ūdens	A. Pārbaudīt jaudu. B. Iztīrīt pretvārstu C. Atjaunot ūdens līmeni
Sūknis nepiegādā ūdeni	A. Ieplūdes režģis vai caurules ir aizsērējušas. B. Lāpstīņritis ir nodilis vai aizsērējis. C. Nepieciešamā izplatība ir lielāka par sūkņa diapazonu	A. Atbrīvojies no aizsērējumiem B. Nomainīt lāpstīņriteni vai atbrīvojies no aizsērējumiem.
Plūsmas ātrums ir nepietiekams	A. Ieplūdes režģis ir pa daļai aizsērējis. B. Lāpstīņrats vai piegādes caurule ir pa daļai aizsērējuši vai inkrustēti.	A. Atbrīvojies no visiem aizsērējumiem. B. Atbrīvojies no visiem aizsērējumiem.
Sūknis apstājas (termiskā drošības slēdža iespējama iekļaušanās).	A. Sūknējams šķidrums ir pārāk biezs, un motors pārkarst. B. Ūdens temperatūra ir pārāk augsta. C. Ciets objekts bloķē lāpstīņriteni. D. Barošanas avots neatbilst datu plāksnītē norādītajam.	Atvienot kontaktdakšu un novērst cēloni, kas izraisa pārkaršanu; uzgaidīt, līdz sūknis atdziest, un nomainīt kontaktdakšu.

12. GARANTĪJA



Jebkādas neatļautas modifikācijas atbrīvo ražotāju no jebkādas atbildības. Visām rezerves daļām, kuras izmanto remontam, jābūt oriģinālām un visām palīgierīcēm jābūt ražotāja apstiprinātām, lai varētu nodrošināt iekārtu un sistēmu maksimālu drošību vietās, kur tās var tikt uzstādītas.

Šim produktam ir piešķirtas juridiskās garantijas (Eiropas Kopienā 24 mēnešu laikā no iegādes datuma) attiecībā uz visiem trūkumiem saistībā ar ražošanas defektiem vai izmantoto materiālu.

Izstrādājums garantijas laikā, pēc saviem ieskatiem, vai nu tiek aizstāts ar tādu, kas ir labā darba kārtībā, vai tiek remontēts bez maksas, pamatojoties uz šādiem nosacījumiem:

- izstrādājums tika izmantots pareizi un saskaņā ar instrukcijām, un pircējs vai trešās personas nav mēģinājušas veikt remontu.
- izstrādājums tiek nodots pirkuma veikalā, pievienojot dokumentu, kas apliecina pirkumu (pārdošanas kvīti), un tā problēmas īsu aprakstu.

Garantija nesedz lāpstīņriteni un dilstošās daļas. Garantijas prasības nekādā veidā nav pagarināmas ilgāk par sākotnējo laikposmu.

INHOUD

1. TOEPASSINGEN	61
2. POMPBARE VLOEISTOFFEN	61
3. TECHNISCHE GEGEVENS EN GEBRUIKSBEPERKINGEN	61
4. BEHEER	62
4.1 Opslag	62
4.2 Transport	62
4.3 Gewicht en afmetingen	62
5. WAARSCHUWINGEN	62
6. INSTALLATIE	62
7. ELEKTRISCHE AANSLUITING	63
8. STARTEN	63
9. VOORZORGSMAATREGELEN	63
10. VOORZORGSMAATREGELEN	63
10.1 Schoonmaken aanzuigfilter	64
10.2 Reiniging van de rotor	64
10.3 Schoonmaken NRV	64
11. PROBLEMEN OPSPOREN	64
12. GARANTIE	64

WAARSCHUWINGEN



Lees deze documentatie aandachtig door vóór de installatie:



Trek steeds de stekker uit het stopcontact alvorens enige interventie uit te voeren. Vermijd absoluut de droge werking.



Beveiliging tegen overbelasting: de pomp is voorzien van een beveiliging tegen oververhitting. Indien de motor eventueel oververhit raakt, schakelt deze oververhittingsbeveiliging de pomp automatisch uit. Na een afkoeltijd van ongeveer 15-20 minuten gaat de pomp automatisch weer aan. Na inwerkingtreding van de thermische motorbeveiliging, moet in ieder geval de oorzaak daarvan opgespoord en verholpen worden. Raadpleeg Het Opsporen van Storingen.

1. TOEPASSINGEN

Meertrapsdempelpomp met geïntegreerde elektronica, ideaal voor gebruik in regenwatersystemen en irrigatienetwerken, om water te pompen uit reservoirs, tanks en vijvers, en voor alle andere huishoudelijke toepassingen die een hoge druk vereisen.

Dankzij de compacte en handige vorm is deze pomp ook zeer nuttig als draagbare pomp in noodgevallen, zoals bij staalname van water uit reservoirs en rivieren, het ledigen van zwembaden of fontijnen. Ook geschikt in de tuin of voor doe-het-zelf-doeleinden in het algemeen.



Volgens de normen voor ongevallenpreventie die op dit gebied van kracht zijn, mogen deze pompen niet worden gebruikt in zwembaden, vijvers, bassins waar zich mensen bevinden, of voor het pompen van koolwaterstoffen (benzine, gasolie, stookolie, oplosmiddelen enz.). Maak de pomp schoon alvorens ze terug op te bergen: zie hoofdstuk "Onderhoud en Schoonmaak".

2. POMPBARE VLOEISTOFFEN

Schoon water	•
Regenwater	•
Grijs afvalwater	○
Afvalwater	○
Fonteinwater	•
Water van rivieren of meren	•
Max. afmetingen deeltjes [mm]	Ø 1

Tabel 1

- Geschikt
- Niet geschikt

3. TECHNISCHE GEGEVENS EN GEBRUIKSBEPERKINGEN

- **Voedingsspanning: 220-240V**, zie het plaatje met elektriciteitsgegevens
- **Vertraagde lijnzekeringen (versie van 220-240V)**: waarden bij benadering (ampère)

Model	Lijnzekeringen 220-240V 50Hz
P1=900	4
P1=1100	5

Tabel 2

- **Temperatuurbereik van de vloeistof: -10°C +40°C**

	Model	P1=900	P1=1100
Elektrische gegevens	P1 Nominaal opgenomen vermogen [W]	900	1100
	P2 [W]	650	750
	Netspanning [V]	220-240 AC	220-240 AC
	Netfrequentie [Hz]	50	50
	Stroom [A]	3.8	4.8
	Condensator [μ F]	12.5	12.5
	Condensator [Vc]	450	450
Hydraulische gegevens	Max. debiet [l/min]	95	95
	Max. opvoerhoogte [m]	36	46
	Max. opvoerhoogte [bar]	3.6	4.6
	Max. dompel diepte [m]	12	12
	Min. dompelhoogte [cm]	12	12
	Startdruk [bar]	2.6+ 0.2	2.6+ 0.2
Toepassingsgebieden	Lengte voedingskabel [m]	15	15
	Soort kabel	H07 RNF	H07 RNF
	Beschermingsgraad motor	IP 68	IP 68
	Isolatieklasse	B	B
	Temperatuurrange vloeistof [°C] volgens EN 60335-2-41 voor huishoudelijk gebruik	0 °C / +35 °C	0 °C / +35 °C
	Max. afmetingen deeltjes [mm]	Ø 1	Ø 1
	Max. omgevingstemperatuur [°C]	+40 °C	+40 °C
Gewicht	DNM GAS	1" F	1" F
	Netto/brutogewicht [kg]	10.8 / 12.8	10 / 12

Tabel 3



Als de pomp geen ondersteuning heeft kan hij het gewicht van de leidingen niet dragen; dit gewicht moet derhalve op een andere manier worden ondersteund.

4. BEHEER

4.1 Opslag

Alle pompen moeten worden opgeslagen in een overdekte, droge ruimte met een zo mogelijk constante luchtvochtigheid, zonder trillingen en stof. Ze worden geleverd in hun oorspronkelijke verpakking, waarin ze tot aan het moment van installatie moeten blijven.

4.2 Transport

Voorkom dat er onnodig tegen de producten wordt gestoten en gebotst.

4.3 Gewicht en afmetingen

De sticker aangebracht op de verpakking vermeldt het totaalgewicht en de afmetingen van de elektropomp.

5. WAARSCHUWINGEN



De pompen mogen niet worden verplaatst, worden opgeheven of werken terwijl ze opgehangen zijn aan de voedingskabel. Gebruik hiervoor enkel het specifiek handvat of het bijgeleverde touw.

- De pomp mag nooit droog draaien.
- De afdichting bevat een niet-giftig smeermiddel, dat echter de eigenschappen van het water kan aantasten (als het gaat om zuiver water) in het geval dat de pomp zou lekken.

6. INSTALLATIE

Draai de in de verpakking bijgeleverde buisnippel vast met de aansluiting geschikt voor buizen met afmetingen ¾" en 1". Indien men een buis wenst te gebruiken met grotere diameter, dan moet de aansluiting worden vervangen. Gebruik tevens een klemring om de buis te bevestigen aan de aansluiting. Afbeelding.1

- Gebruik best buizen met een interne diameter van minstens ¾" mm, om de vermindering van de pompprestaties te vermijden.
- Om de verstopping van de aanzuigopeningen te vermijden moet men regelmatig controleren dat er geen vuil accumuleert (bladeren, zand, enz.) in de opvangtank. Houd minstens een afstand van 20 cm om te vermijden dat het aanzuigrooster verstopt wordt (Afbeelding 2)
- Steek de stekker van de voedingskabel in een voedingscontact van 230 V.

NEDERLANDS

- Schakel de pomp uitsluitend aan wanneer hij ondergedompeld zit in het water met een dompeldiepte van minstens 12 cm. Indien er geen water meer is, dient de pomp onmiddellijk uitgeschakeld te worden door de stekker uit het stopcontact te halen.
- De pomp moet stabiel staan in een opvangtank of in ieder geval op het laagste punt van de ruimte van installatie.
- De opvangtank moet de volgende minimale afmetingen hebben:
Min. afmetingen basis min. (mm) 150x150 / min. hoogte (mm) 800 Afbeelding 2
- De afmetingen van de tank moeten steeds in verhouding zijn met de hoeveelheid aangevoerd water en het pompdebiet, zodat de motor niet te vaak moet opstarten per uur. Het wordt strikt aanbevolen om niet meer dan 20 keer op te starten per uur.



De pomp moet worden geïnstalleerd in verticale positie!

7. ELEKTRISCHE AANSLUITING



De lengte van de voedingskabel die op de pomp aanwezig is beperkt de maximale dompeldiepte bij het gebruik van de pomp zelf. Respecteer de aanduidingen op het typeplaatje en in deze handleiding, tabel 3.

8. STARTEN

De elektronica bestuurt automatisch het aan- en uitschakelen (ON/OFF) van de pomp in functie van de waterbehoefte van de gebruiker.

De elektronica beschermt de pomp tegen droogdraaien.

- Aanzuigfase: in de aanzuigfase doet de pomp vier pogingen van 30" (motor ON) met daartussen een pauze van 3" (motor OFF). Indien er geen water is, stopt de pomp een uur en doet daarna een nieuwe aanzuigpoging. Als deze poging mislukt, zal de pauze 5 uur duren, waarna de pomp elke 24 uur opnieuw een aanzuigpoging uitvoert tot het waterpeil voldoende is om normale werking mogelijk te maken.
- Normale Werking Als bij normale werking voor een periode van 40 seconden het waterverbruik minder is dan de minimumwateropbrengst, komt de pomp in alarm en stopt 1 uur. Als het waterpeil daarna onvoldoende blijft, komt de pomp de aanzuigfase.

De elektronica beschermt de pomp tegen defecten aan de antiterugslagklep (VNR), die over het algemeen het gevolg zijn van uit vuil of zand bestaande korstvormingen. De korsten hebben ten gevolge dat de VNR niet kan sluiten; dus blijft de apparatuur werken, ook als er geen water is. In ons geval stopt de pomp automatisch elk uur; als alles normaal is, bespeurt de gebruiker alleen maar een uiterst kleine drukdaling die slechts enkele seconden duurt. Als de VNR daarentegen geblokkeerd is, komt de pomp in alarm en kan dan alleen opnieuw in bedrijf worden gesteld, nadat de oorzaken van de verstopping zijn weggenomen.

Controle debiet:

De controlefunctie van het debiet schakelt de pomp uit indien er te weinig water wordt opgezogen. Mochten er lekken optreden op de drukzijde (vb. niet dichte waterkraan of slang), dan zal de pomp aan- en uitschakelen volgens korte intervallen. Indien de pomp in 2 minuten meer dan 7 maal aan- en uitschakelt (bij lekken < 6 l /h), dan zal de pomp volledig worden uitgeschakeld. Nadat de lek aan de drukzijde werd geëlimineerd, moet de pomp worden uit- en terug aangeschakeld om opnieuw te kunnen werken.

De ideale bedrijfssituatie doet zich voor wanneer de pomp helemaal onder water is; toch biedt het koelsysteem van de motor de mogelijkheid de pomp gedurende korte tijd tot de minimaanzuighoogte (50 mm) te gebruiken.

De pomp is voorzien van een roestvrijstalen filter om afvalresten tegen te houden.

9. VOORZORGSMAATREGELEN

BEVRIEZINGSGEVAAR: wanneer de pomp buiten werking blijft bij een temperatuur lager dan 0°C, moet men er voor zorgen dat er geen waterresten in de pomp kunnen bevriezen, waardoor er barsten zouden kunnen ontstaan in de plastic onderdelen.

Indien de pomp werd gebruikt met vloeistoffen die neerslaan of met bleekwater, dan moet ze na gebruik worden gespoeld met behulp van een krachtige waterstraal, om neerslag- of korstvorming te vermijden, wat zou leiden tot de vermindering van de pomp prestaties.

10. VOORZORGSMAATREGELEN

Bij de normale werking vereist de elektropomp geen enkel onderhoud. In ieder geval mogen alle reparaties en onderhoudswerkzaamheden pas worden uitgevoerd nadat de pomp is afgekoppeld van het voedingsnet.

Verzeker u er bij het starten van de pomp altijd van dat het aanzuigfilter gemonteerd is, zodat er geen gevaar of mogelijkheid bestaat van toevallige aanraking van de bewegende onderdelen.

NEDERLANDS

10.1 Schoonmaken aanzuigfilter

- De elektrische voeding van de pomp uitschakelen.
- De pomp aftappen.
- Schoonmaken met waterstraal en borstel.

10.2 Reiniging van de rotor

- De elektrische voeding van de pomp uitschakelen.
- De pomp aftappen.
- Draai de 8 bevestigingsschroeven op de filterbasis los Afbeelding 3.
- Verwijder de basis en filter Afbeelding 4
- Houd het vliegwiel vast en draai de moer los Afbeelding 5.
- Verwijder het vliegwiel, het spuitstuk, de ring en o-ring.
- Doe dit voor alle vliegwielen.
- De pomp afwassen met schoon water om vuil dat mogelijk tussen de motor en de pompmantel zit te verwijderen.
- De rotor schoonmaken.
- Controleren of de rotor vrij kan draaien.
- De onderdelen in elkaar zetten door de demontagewerkzaamheden omgekeerd uit te voeren.

10.3 Schoonmaken NRV

(Afbeelding 6)

- De elektrische voeding van de pomp uitschakelen.
- Verwijder het handvat door de 2 bevestigingsschroeven los te draaien Afbeelding 6.
- Draai de 6 schroeven op het deksel aan de perszijde los Afbeelding 7.
- Verwijder het deksel aan de perszijde en de zandfilter Afbeelding 8.
- Verwijder de terugslagklep en maak hem schoon door het aanwezig vuil te verwijderen Afbeelding 9 Monteer de onderdelen terug in de omgekeerde volgorde

11. PROBLEMEN OPSPOREN



Voordat begonnen wordt met het opsporen van storingen, moet de pomp eerst losgekoppeld worden van het elektriciteitsnet (door de stekker uit het stopcontact te halen). Indien de voedingskabel of een elektrisch onderdeel van de pomp beschadigd zijn, mogen deze alleen door de fabrikant of diens technische klantenservice of door een iemand met gelijke bevoegdheid.

Storingen	Controle (mogelijke oorzaken)	Remedie
De pomp start niet op	A. De pomp is niet gevoed B. Terugslagklep geblokkeerd in open stand C. Geen water	A. Controleer de voeding. B. Maak de terugslagklep schoon C. Herstel het waterniveau
Er is geen wateropbrengst	A. Het aanzuigrooster of de leidingen zijn verstopt. B. De waaier is versleten of geblokkeerd. C. De vereiste opvoerhoogte is hoger dan die van de pomp.	A. Zorg voor ontstopping. B. Vervang de waaier of neem de blokkering weg.
De wateropbrengst is onvoldoende.	A. Controleer of het aanzuigrooster niet gedeeltelijk verstopt is. B. Controleer of er geen verstoppingen of korsten in de waaier of persleiding aanwezig zijn.	A. Verwijder eventuele verstoppingen. B. Verwijder eventuele verstoppingen.
De pomp stopt (mogelijk door inwerkingtreding van de oververhittingsbeveiliging van de motor)	A. Controleer of de te verpompen vloeistof niet te dik is, omdat dit oververhitting van de motor teweeg zou kunnen brengen. B. Controleer of de temperatuur van het water niet te hoog is. C. Controleer of de waaier niet door een voorwerp geblokkeerd wordt. D. Stroomvoorziening niet conform de gegevens op het pompplaatje.	A.B.C.D. Haal de stekker uit het stopcontact en neem de oorzaak van de oververhitting weg, wacht totdat de pomp is afgekoeld en steek de stekker weer in het stopcontact.

12. GARANTIE



Elke wijziging waarvoor geen voorafgaande toestemming verkregen is, ontheft de fabrikant van iedere verantwoordelijkheid. Alle vervangingsonderdelen die worden gebruikt bij reparaties moeten originele onderdelen zijn, en alle accessoires moeten geautoriseerd zijn door de fabrikant, zodanig dat de maximale veiligheid van de machines en van de installaties waarop zij gemonteerd kunnen worden, wordt gewaarborgd.

Dit product wordt gedekt door een wettelijk voorziene garantie (in de Europese Gemeenschap gedurende 24 maanden, met ingang op de aankoopdatum) voor alle storingen te wijten aan fabricagefouten of gebruikt materiaal. Het product kan gratis worden vervangen door een perfect werkend product of gratis worden hersteld wanneer de volgende condities zich voordoen:

- Het product correct werd gebruikt, conform de instructies en er geen poging werd ondernomen voor herstelling door de koper zelf of derden.
- Het product werd overhandigd aan het verkooppunt, samen met het aankoopbewijs (factuur of kassabon) en een korte beschrijving van het opgetreden probleem.

Het vliegwiel en de onderdelen onderhevig aan slijtage worden niet gedekt door de garantie. De uitvoering van interventies tijdens de garantieperiode resulteert nooit in de verlening van deze periode.

INNHOLDSFORTEGNELSE

1. ANVENDELSER.....	65
2. VÆSKER SOM KAN PUMPES	65
3. TEKNISKE SPESIFIKASJONER OG BEGRENSNINGER FOR BRUK.....	65
4. BEHANDLING	66
4.1 Lagring	66
4.2 Transport	66
4.3 Vekt og dimensjoner	66
5. ADVARSLER	66
6. INSTALLASJON	66
7. ELEKTRISK TILKOPLING	67
8. OPPSTART	67
9. FORHOLDSREGLER.....	67
10. VEDLIKEHOLD OG RENGJØRING	67
10.1 Rengjøring av sugefilter.....	68
10.2 Rengjøring av impelleren	68
10.3 Rengjøring av tilbakeslagsventilen (NRV).....	68
11. PROBLEMLØSNING	68
12. GARANTI	68

ADVARSLER



Før du installerer, les all dokumentasjonen nøye:



Før man gjør inngrep, uansett art, trekk ut kontakten. Unngå enhver form for tørrkjøring.



Overbelastningsvern . Pumpen er utstyrt med et termisk overbelastningsvern . Ved en eventuell overoppheting av motoren , vil overbelastningsvernet slå av pumpen automatisk. Kjøletiden er ca. 15-20 minutter , etter dette slår pumpen seg på igjen automatisk. Etter inngrep fra overbelastningsvernet er det helt nødvendig å finne årsaken, og eliminere den. Konsulter Problemløsning.

1. ANVENDELSER

Flertrinns nedsenkbar pumpe med innebygd elektronikk, ideell for bruk i regnvannsystemer, og vanneanlegg, og for å pumpe vann fra tanker, sisterner og dammer, og annen hjemmebruk som krever høyt trykk.

Takket være den kompakte og enkle formen, kan de også brukes som bærbare pumper for alle ulike typer nødssituasjoner som for eksempel pumping av vann fra vanntanker eller elver, tømning av svømmebasseng og fontener. Også egnet til hagearbeid og hobbearbeid generelt.



Disse pumpene kan ikke brukes i svømmebasseng, dammer, reservoarer der det er personer tilstede, eller til å pumpe hydrokarboner (bensin, diesel, fyringsoljer, løsemidler, osv.) i samsvar med gjeldende sikkerhetsforskrifter. Før lagring anbefales det å gjennomføre en rengjøringsfase. Se kapittelet «Rengjøring og vedlikehold».

2. VÆSKER SOM KAN PUMPES

Ferskvann	•
Regnvann	•
Klart vann uten avfallsstoffer	○
Skittent vann	○
Fontenevann	•
Vann fra elver eller innsjøer	•
Partikkelstørrelse maks. [mm]	Ø 1

Tabell 1

- Egnet
- Ikke egnet

3. TEKNISKE SPESIFIKASJONER OG BEGRENSNINGER FOR BRUK

- Forsyningsspenning: 220-240V, se skiltet med elektriske data
- Forsinkede kurssikringer (versjon 220-240V): referanseverdier (Ampere)
- Lagringstemperatur: -10° C +40° C

Modell	Kurssikringer 220-240V 50 Hz
P1=900	4
P1=1100	5

Tabell 2

NORSK

	Modell	P1=900	P1=1100
Elektriske data	P1 Nominelt strømforbruk [W]	900	1100
	P2 [W]	650	750
	Nettspenning [V]	220-240 vekselstrøm	220-240 vekselstrøm
	Nettfrekvens [Hz]	50	50
	Strøm [A]	3,8	4,8
	Kondensator [μ F]	12,5	12,5
	Kondensator [Vc]	450	450
Hydrauliske data	Makskapasitet [l/min]	95	95
	Maks trykkehøyde [m]	36	46
	Maks trykkehøyde [bar]	3,6	4,6
	Maks nedsenkningsdybde [m]	12	12
	Min. nedsenkningshøyde [cm]	12	12
	Temmingstrykk [bar]	2,6 +- 0,2	2,6 +- 0,2
Bruksområde	Lengde strømkabel [m]	15	15
	Type kabel	H07 RNF	H07 RNF
	Beskyttelsesgrad	IP 68	IP 68
	Isolasjonsklasse	B	B
	Område for væsketemperatur [$^{\circ}$ C] ifølge standarden EN 60335-2-41 for hjemmebruk	0° C/ 35° C	0° C/ 35° C
	Partikkelstørrelse maks. [mm]	\varnothing 1	\varnothing 1
	Maks omgivelsestemperatur [$^{\circ}$ C]	+40 $^{\circ}$ C	+40 $^{\circ}$ C
Vekt	DNM GASS	1 tommer F	1 tommer F
	Nettvekt/bruttovekt ca. [kg]	10.8 / 12.8	10 - 12

Tabell 3



Når pumpen ikke er støttet på en base, kan den ikke bære vekten av rørene/slangen, så disse må støttes opp på annen måte.

4. BEHANDLING

4.1 Lagring

Alle pumper må oppbevares innendørs, på et tørt sted, om mulig ved jevn luftfuktighet, uten vibrasjoner og støv. De leveres i originalemballasjen og må fortatt oppbevares der helt til installasjonstidspunktet.

4.2 Transport

Unngå å utsette produktene for unødvendige støt og slag.

4.3 Vekt og dimensjoner

Den selvklebende etiketten på emballasjen har angivelser om den totale vekten på den elektriske pumpen, og dimensjonene.

5. ADVARSLER



Pumpene må aldri transporteres, løftes, eller henges opp ved hjelp av strømledningen. Bruk istedet håndtaket og det medfølgende tauet.

- Pumpen må aldri tørrkjøres.
- Tetningsinnretningen inneholder smøremiddel som ikke er giftig, men som kan endre egenskapene til vann, i de tilfellene man har rent vann, av rent vann, hvis pumpen skulle lekke.

6. INSTALLASJON

Skru til nippelen med koblingsstykket som finnes i emballasjen, som er tilpasset slanger med tommedimensjoner fra 3/4 til 1, dersom man ønsker å bruke slanger med større diameter, bytter man ut vinkelleddet. Bruk en slangeklemme for å feste slangen til tilkoblingsstykket. Fig. 1

- Det anbefales å bruke slanger med en indre diameter på minimum 3/4 tomme, for å unngå at pumpeytelsene reduses.
- For å forhindre tilstopping av innsuget, anbefales det å sjekke med jevne mellomrom at det i sisternen ikke har samlet seg avfall (blader, sand, osv.). Det bør være en avstand på minst 20 cm for å unngå tilstopping innsugsristen (Fig.2).
- Sett støpslet til strømledningen inn i en 230 V kontakt.
- Pumpen bør kun brukes når den er nedsenket i vann. Beregn en 12 cm minimums nedsenking. Hvis pumpen tømmes for vann, må den stanses umiddelbart, og kobles stikkkontakten.
- Pumpen bør plasseres i stabil posisjon i en sisterne, eller i alle fall på det laveste punktet på installasjonsstedet.

- Sørg for at sisternen den plasseres i minst har følgende minstemål:
Grunnleggende mål min. (mm) 150x150 / Minimumshøyde (mm) 800 Fig. 2
- Sisternen må alltid være tilpasset den vannmengden som kommer, og kapasiteten til pumpen, slik at ikke motoren utsettes for hyppige oppstarter per time. Det anbefales på det sterkeste å ikke overstige 20 oppstarter per time.



Pumpen må kun installeres i vertikal stilling!

7. ELEKTRISK TILKOPLING



Lengdenav strømkabelen på pumpen begrenser den maksimale dybden pumpen kan nedsenkes til når man bruker den. Følg anvisningene på det tekniske dataskiltet, og i denne håndboken, tabell 3.

8. OPPSTART

Start og stopp (ON/OFF) av pumpen kontrollere elektronisk, i samsvar med vannbehovet til brukeren.

Elektronikken beskytter anordningen mot tørrkjøring:

- Fyllefasen : I fyllefasen, utfører pumpen fire forsøk på 30 sekunder (motor ON), etterfulgt av en pause på 3 sekunder (motor OFF). Dersom det er tomt for vann, vil pumpen stoppe en time, og så vil den forsøke å fylle igjen. Dersom dette forsøket mislykkes, starter en 5 timers pause, og deretter vil anordningen forsøke på nytt hver 24 time, til vannnivået blir tilstrekkelig til å tillate normal drift.
- Normal drift: Hvis man under drift, i 40 minutter har et lavere vannforbruk enn minste sugesolum, går pumpen til alarmtilstand og stopper i 1 time. Etter dette, dersom vannnivået fortsetter å være for lavt, vil pumpen på inn i en fylle/priming-fase

Elektronikken beskytter pumpen mot feil på tilbakeslagsventilen, som vanligvis forårsakes av skitt og sand. Avleiringer hindrer tilbakeslagsventilen fra å lukkes, og dette fører til at anordningen forsetter å fungere, også når det er tomt for vann. I vårt tilfelle, vil pumpen slås av automatisk hver time; hvis alt er normalt, vil brukeren bare se et lite trykkfall som varer noen få sekunder. Men hvis tilbakeslagsventilen er blokkert, går pumpen til alarmtilstand, og kan kun startes etter fjerning av årsaken til hindringen.

Sugesolumkontroll

Kontrollen av sugesolum vil slå av pumpen dersom forhåndsuttaket av vann mangler. Hvis det er tap på utløpssiden (f.eks. Vann kranen eller slangen lekker), slås pumpen av og på i korte tidsintervaller. Dersom pumpen slås på og av mer enn 7 ganger i løpet av 2 minutter (i tilfelle tap <6 l/t), vil det slå seg helt av. Når man har eliminert tapet på trykksiden, koble fra og sett inn igjen, slik at du kan bruke den på nytt.

Den ideelle situasjonen er å arbeide med pumpen helt nedsenket i vann. Nedkjølingssystemet til motoren, gjør det likevel mulig å bruke den ved minimal sugehøyde (50 mm), i korte perioder.

Pumpen er utstyrt med et smussfilter av rustfritt stål.

9. FORHOLDSREGLER

FARE FOR FROST: Når pumpen ikke fungerer ved temperaturer under 0 °C, må du sørge for at det ikke er vannrester tilstede, som når de fryser kan danne sprekker i plastdeler.

Hvis pumpen har vært brukt sammen med stoffer som har en tendens til å danne avleiringer, eller sammen med klorvann, skyllet etter bruk med en kraftig vannstråle, for å unngå dannelse av avleiringer og belegg som kan redusere ytelsene til pumpen.

10. VEDLIKEHOLD OG RENGJØRING

Den elektriske pumpen krever ved normal drift ingen type vedlikehold. Alle reparasjoner og vedlikehold må uansett kun utføres etter at man har koblet pumpen fra strømforsyningen. Når du starter pumpen, sørg for at det alltid er et sugefilter påmontert, for å unngå faresituasjoner og mulig utilsiktet kontakt med bevegelige deler.

10.1 Rengjøring av sugefilter

- Koble fra strømforsyningen til pumpen.
- La pumpen tømmes
- Rengjør med vannspyling og en børste

10.2 Rengjøring av impelleren

- Koble fra strømforsyningen til pumpen.
- La pumpen tømmes
- Skru ut de 8 festeskruene på filterbasen, fig. 3.
- Fjern basen og filteret, fig. 4
- Mens du holder på plass impelleren, skru løs mutteren, fig. 5
- Fjern impelleren, diffusoren, ringen og O-ringen.
- Gjenta for alle impellere
- Skyll pumpen med rent vann for å fjerne eventuelle urenheter mellom motoren og pumpehylsen.
- Rengjør impelleren.
- Kontroller at impelleren kan rotere fritt.
- Monter delene i motsatt rekkefølge i forhold til demonteringen

10.3 Rengjøring av tilbakeslagsventilen (NRV)

(Fig. 6)

- Koble fra strømforsyningen til pumpen.
 - Fjern håndtaket ved å skru løs de to festeskruene, fig. 6
 - Skru løs de 6 skruene på leveringsdekslet, fig. 7
 - Trekk leveringsdekslet og sandfilteret av, fig. 8
 - Fjern holdeventilen, og rengjør den for eventuelt smuss, se fig. 9
- Monter delene i motsatt rekkefølge i forhold til demonteringen

11. PROBLEMLØSNING



Før du starter feilsøk og problemløsning, er nødvendig å koble fra all strømforsyning (ta ut støpslet). Hvis noen del av strømkabelen eller de elektriske delene av pumpen er skadet, må alle reparasjoner og erstatningen utføres av produsenten, eller teknisk assistanse tjeneste eller en person med tilsvarende, eller av en person med lignende kvalifikasjoner, slik at all risiko unngås.

Feil	Årsaker	Løsninger
Pumpen starter ikke	A. Pumpen får ikke strøm B. Tilbakeslagsventilen er blokkert i åpen posisjon C. Det mangler vann	A. Kontroller strømforsyningen. B. Rengjør tilbakeslagsventilen C. Gjenopprett vannnivået
Pumpen leverer ikke væske.	A. Risten på innsuget eller slangene er tilstoppet. B. Impelleren er slitt eller tilstoppet. C. Den nødvendige trykkhøyden er høyere enn kapasiteten til pumpen.	A. Fjern tilstoppingene B. Bytt ut impelleren eller fjern blokkeringen.
Sugevolumet er utilstrekkelig	A. Risten på innsuget er delvis tilstoppet. B. Impelleren eller leveringsslangen er delvis tilstoppet eller har avleiringer.	A. Fjern eventuelle tilstoppinger. B. Fjern eventuelle tilstoppinger.
Pumpen stopper (mulig inngrep fra termobeskyttelsen).	A. Væsken som skal pumpes er for tykk, og motoren overopphetes. B. Vanntemperaturen er for høy. C. Et fast legeme blokkerer impelleren. D. Strømforsyningen er ikke i samsvar med det som står på merkeskiltet.	A.B.C.D. Koble fra og fjern årsaken til overopphetingen, vent til pumpen kjøles ned, og sett inn støpslet igjen.

12. GARANTI



Enhver endring som ikke på forhånd er autorisert, vil frata produsenten ethvert ansvar. Alle reservedeler som brukes til reparasjoner må være originaldelene, og alt tilbehør må være godkjent av produsenten, slik at du kan sikre maksimal sikkerhet for maskiner og systemer som disse kan være påmontert.

Dette produktet er dekket av en juridisk garanti (i Det europeiske fellesskapet, i 24 måneder fra kjøpsdato) for alle feil som skyldes produksjonsfeil eller materialene som er blitt brukt. Produktgarantien vil etter skjønn kunne være enten erstatning med en enhet som er i perfekt stand, eller kostnadsfri reparasjon, dersom følgende vilkår overholdes:

- produktet har blitt håndtert på riktig måte og i samsvar med anvisningene, og det ikke er gjort noe forsøk på å reparere av kjøperen selv, eller tredjeparter.
- produktet har blitt levert til butikken der den ble kjøpt, sammen med dokumenter som bekrefter kjøpet (kvittering), og en kort beskrivelse av problemet.

Impelleren og deler som er utsatt for slitasje, dekkes ikke av garantien. Garantikravet vil ikke på noen måte forlenge den opprinnelige garantiperioden.

SPIS TREŚCI

1. ZASTOSOWANIA	69
2. POMPOWANE CIECZE	69
3. DANE TECHNICZNE I OGRANICZENIA W ZASTOSOWANIU	69
4. ZARZĄDZANIE	70
4.1 Przechowywanie	70
4.2 Transport	70
4.3 Waga i wymiary	70
5. OSTRZEŻENIA	70
6. INSTALOWANIE	70
7. PODŁĄCZENIE ELEKTRYCZNE	71
8. URUCHOMIENIE	71
9. ŚRODKI OSTROŻNOŚCI	71
10. KONSERWACJA I CZYSZCZENIE	71
10.1 Czyszczenia filtra zasysającego	72
10.2 Czyszczenie wirnika	72
10.3 Czyszczenie zaworu zwrotnego NRV	72
11. WYKRYWANIE USTEREK	72
12. GWARANCJA	72

OSTRZEŻENIA



Przed przystąpieniem do instalowania przeczytać uważnie całą dokumentację:



Przed każdą interwencją odłączyć wtyczkę. Unikać w sposób kategoryczny funkcjonowania na sucho.



Pompa wyposażona jest w termiczne zabezpieczenie przed przeciążeniem. W razie przegrzania silnika, urządzenie automatycznie wyłącza pompę. Czas chłodzenia wynosi mniej więcej od 15 do 20 minut, a następnie pompa automatycznie włącza się ponownie. Jeśli wyłącznik przeciążenia zadziałał, konieczna jest identyfikacja przyczyn przegrzania. Zobacz Rozwiązywanie problemów.

1. ZASTOSOWANIA

Wielostopniowa pompa zanurzeniowa z wbudowanym urządzeniem elektronicznym, znakomicie nadaje się do stosowania w systemach wody deszczowej i sieciach nawadniających, do pompowania wody ze zbiorników, cystern, stawów i do innych zastosowań domowych, które wymagają wysokiego ciśnienia.

Dzięki kompaktowej i zwrotnej budowie pompy znajdują także specjalne zastosowania, jako pompy podręczne przenośne w nagłych wypadkach, takich jak, pobieranie wody ze zbiorników lub rzek, opróżniania basenów i fontann. Nadają się także do zastosowania w ogrodnictwie i do innych celów hobbistycznych.



Pompy te nie mogą być używane w basenach, stawach, zalewach, w których przebywają ludzie, lub do pompowania węglowodorów (benzyna, olej gazowy, olej napędowy, rozpuszczalniki, itd.) zgodnie z odnoszącymi się obowiązującymi normami przeciwwypadkowymi. Przed odstawieniem na dłuższy czas jest wskazane przystąpienie do fazy czyszczenia. Patrz rozdział "Konserwacja i Czyszczenie".

2. POMPOWANE CIECZE

Woda czysta	•
Woda deszczowa	•
Woda jasna odpływowa	○
Woda brudna	○
Woda z fontanny	•
Woda z rzeki lub jeziora	•
Max wielkość cząstek [mm]	Ø 1

- Nadająca się
- Nie nadająca się

Tabela1

3. DANE TECHNICZNE I OGRANICZENIA W ZASTOSOWANIU

- Napięcie zasilania: 220-240V, patrz tabliczka danych elektrycznych
- Zwłocznne bezpieczniki topikowe linii (wersja 220-240V): wartości orientacyjne (Amper)
- Temperatura przechowywania: -10°C +40°C

Model	Bezpieczniki topikowe linii 220-240V 50Hz
P1=900	4
P1=1100	5

Tabela2

	Model	P1=900	P1=1100
Dane Elektryczne	P1 Nominalny pobór mocy [W]	900	1100
	P2 [W]	650	750
	Napięcie sieciowe [V]	220-240 AC	220-240 AC
	Częstotliwość sieciowa [Hz]	50	50
	Prąd [A]	3.8	4.8
	Kondensator [µF]	12.5	12.5
	Kondensator [Vc]	450	450
Dane Hydrauliczne	Max wydajność [l/min]	95	95
	Max wysokość tłoczenia [m]	36	46
	Max ciśnienie tłoczenia [bar]	3.6	4.6
	Max głębokość zanurzenia [m]	12	12
	Min. wysokość zanurzenia [cm]	12	12
	Ciśnienie zapłonu [bar]	2.6+- 0.2	2.6+- 0.2
Zakres stosowania	Dł. kabla zasilającego [m]	15	15
	Typ kabla	H07 RNF	H07 RNF
	Stopień ochrony silnika	IP 68	IP 68
	Klasa izolacji	B	B
	Zakres temperatury cieczy [°C] według EN 60335-2-41 do użytku domowego	0 °C / +35 °C	0 °C / +35 °C
	Max wymiar cząstek [mm]	Ø 1	Ø 1
	Max temperatura otoczenia [°C]	+40 °C	+40 °C
Waga	DNM GAS	1" F	1" F
	Waga Netto/Brutto ok. [kg]	10.8/12.8	10 / 12

Tabela 3



Pompa, która nie jest oparta na podstawie nie może podtrzymać ciężaru przewodów rurowych, które muszą być podparte w inny sposób.

4. ZARZĄDZANIE

4.1 Przechowywanie

Wszystkie pompy powinny być przechowywane w miejscu zakrytym, suchym, pozbawionym wibracji i pyłów i z możliwie stałą wilgotnością powietrza. Pompy zostają dostarczone w swoich oryginalnych opakowaniach, w których muszą pozostać aż do momentu zainstalowania.

4.2 Transport

Unikać narażania produktów na niepotrzebne wstrząsy i zderzenia.

4.3 Waga i wymiary

Na tabliczce naklejonej na opakowaniu jest wskazana ogólna waga elektropompy i jej wymiary.

5. OSTRZEŻENIA



Pompy nigdy nie powinny być transportowane, podnoszone lub pracować zawieszona używając do tego celu kabel zasilający, należy posługiwać się odpowiednim uchwytem i linką dostarczoną na wyposażeniu.

- Pompa nigdy nie powinna pracować na sucho.
- Urządzenie uszczelniające zawiera nietoksyczny smar, który, jeżeli pompa miałaby wycieki, mógłby zmienić charakterystyki wody, w przypadku wody pitnej.

6. INSTALOWANIE

Zakręcić złączkę rurową gwintowaną z przyłączem znajdującym się w opakowaniu, które nadaje się do przewodów rurowych o średnicach ¾" i 1", w przypadku potrzeby użycia przewodów rurowych o większej średnicy wymienić przyłącze. Używać ponadto opaskę zaciskową do rur w celu umocowania rury do przyłącza. Fig.1

- Zaleca się używanie przewodów rurowych mających wewnętrzną średnicę minimalną ¾" mm, aby uniknąć zmniejszenia wydajności pompy.
- Aby uniknąć zablokowania przejścia zasysania, zaleca się sprawdzać okresowo, czy w zbiorniku nie zgromadził się brud (liście, piasek, itp.). Należy zachować odległość minimalną 20 cm w celu uniknięcia zatkania kratki zasysania (Rys. 2).
- Włączyć wtyczkę kabla zasilającego w gniazdko prądu 230 V.

- Pompa może być włączona tylko, jeżeli zanurzona w wodzie. Należy uznać, jako zanurzenie minimalne 12 cm. Jeżeli woda wyczerpie się pompa musi być natychmiast zatrzymana odłączając z gniazdka elektrycznego.
- Pompa musi być umieszczona w stabilnej pozycji wewnątrz zbiornika lub w najniższej części miejsca, w którym została zainstalowana.
- Zbiornik umieszczenia pompy powinien mieć minimalne wymiary zgodne z poniższymi wartościami:
Wymiary podstawy min. (mm) 150x150 / Wysokość. (mm) 800 Fig 2
- Zbiornik będzie musiał być wymiarowana także w zależności od ilości wody dochodzącej i od wydajności pompy, w taki sposób, aby pompa nie narażała silnika na nadmierną ilość uruchomień na godzinę, poleca się nie przekraczać 20 uruchomień na godzinę.



Pompa musi być zainstalowana w pozycji pionowej!

7. PODŁĄCZENIE ELEKTRYCZNE



Długość kabla zasilającego znajdującego się w pompie ogranicza maksymalną głębokość zanurzenia pompy przy jej używaniu. Przestrzegać wskazania przedstawione na tabliczce technicznej i w niniejszej instrukcji tabela 3.

8. URUCHOMIENIE

Urządzenie elektroniczne steruje automatycznie włączeniem i wyłączeniem (ON/OFF) pompy w zależności od wymaganej przez użytkownika wody.

Elektronika chroni pompę przed suchobiegiem.

- Formowanie: Po uruchomieniu, pompa wykona następujące działania, dopóki nie zostanie przygotowana normalnego działania: cztery próby zalewania 30 " (silnik ON) z przerwami od 3" (OFF silnika). Jeśli w zbiorniku nie ma wody, czyli jeśli prób formowania nie powiodła się, pompa zatrzyma się na godzinę do ponownej próby formowania. Jeśli ta próba również nie powiedzie się, wówczas sterownik na 5 godzin zawiesi możliwość uruchomienia pompy. Jeśli nadal w zbiorniku będzie zbyt mało wody, sterownik będzie starał się przeprowadzić formowanie pompy co każde 24 godziny.
- Praca właściwa: Jeżeli podczas pracy pompy wody jest niższa od minimalnego poziomu o ponad 40 " , pompa wejdzie w stan alarmu, a start w cykl zasysania. W tym przypadku nastąpią próby formowania po 1, 5, i 24 godzinach do momentu zalania pompy.

Urządzenie elektroniczne również chroni pompę przed uszkodzeniami, które mogą być spowodowane przez zablokowanie zaworu zwrotnego. Blokowanie zaworu zwrotnego powodują głównie zanieczyszczenia w postaci osadów lub piasku, które wymuszają pracę pompy. Funkcja ochrony automatycznie wyłącza pompę co godzinę, jeśli autotest nie wykryje uszkodzenia pompy, pompa rozpoczyna pracę natychmiast. Jeśli zawór zwrotny jest zablokowany, wówczas pompa przechodzi w tryb alarmowy i się zatrzymuje. W tym przypadku pompa może zostać ponownie uruchomiona po oczyszczeniu zaworu zwrotnego z zanieczyszczeń.

Kontrola wydajności:

Kontrola wydajności wyłącza pompę w przypadku braku pobierania wody. Jeżeli istnieją wycieki po stronie ciśnieniowej (np. kran wody lub wąż są nieszczelne), pompa będzie włączać się i wyłączać w krótkich odstępach czasu . Jeżeli pompa włączy się i wyłączy więcej niż 7 razy w przeciągu 2 minut (w przypadku wycieku < 6 l /h), wyłączy się ona kompletnie. Po usunięciu wycieku po stronie ciśnieniowej, włączać i wyłączać ponownie pompę dopóki nie będzie możliwe jej użycie.

Jednakże system chłodzenia silnika pompy umożliwia jej działanie przy niskim poziomie wody, lecz w krótkich odcinkach czasowych (50 mm).

Pompa wyposażona jest w filtr wykonany ze stali nierdzewnej, który zapobiega przedostawania się osadów.

9. ŚRODKI OSTROŻNOŚCI

PERICOLO DI GELO: quando la pompa rimane inattiva a temperatura inferiore a 0°C, è necessario assicurarsi che non ci siano residui d'acqua che ghiacciando possano creare incrinature delle parti plastiche.

Se la pompa è stata utilizzata con sostanze che tendono a depositarsi, o con acqua clorata risciacquare dopo l'uso, con un potente getto d'acqua in modo da evitare il formarsi di depositi od incrostazioni che tenderebbero a ridurre le caratteristiche della pompa.

10. KONSERWACJA I CZYSZCZENIE

L'elettropompa nel funzionamento normale non richiede alcun tipo di manutenzione. In ogni caso tutti gli interventi di riparazione e manutenzione si devono effettuare solo dopo aver scollegato la pompa dalla rete di alimentazione. Quando si fa ripartire la pompa, assicurarsi che sia sempre montato il filtro di aspirazione in modo da non creare pericolo o possibilità di contatto casuale con le parti in movimento.

10.1 Czyszczenia filtra zasysającego

- Wyłączyć zasilanie elektryczne pompy.
- Drenować pompę
- Czyścić strumieniem wody i szczoteczką

10.2 Czyszczenie wirnika

- Wyłączyć zasilanie elektryczne pompy.
- Drenować pompę
- Odkręcić 8 śrubek mocujących podstawy filtra rys. 3.
- Wyjąć podstawę i filtr rys.4
- Trzymając wirnik odkręcić nakrętkę rys.5
- Wyciągnąć wirnik, dyfuzor, pierścień o-ring.
- Powtórzyć dla wszystkich wirników
- Wymyć pompę czystą wodą, aby usunąć zanieczyszczenia pomiędzy silnikiem a płaszczem pompy.
- Wyczyścić wirnik
- Sprawdzić, czy wirnik może obracać się swobodnie.
- Zamontować części w kierunku odwrotnym do sekwencji demontażu

10.3 Czyszczenie zaworu zwrotnego NRV

(Rys.6)

- Wyłączyć zasilanie elektryczne pompy.
 - Wyjąć uchwyt odkręcając dwie śrubki mocujące rys. 6
 - Odkręcić 6 śrubek pokrywy tłocznej rys.7
 - Wyciągnąć pokrywę tłoczną i filtr przeciwpiaśkowy rys.8
 - Zdjąć zawór zwrotny i wyczyścić usuwając zanieczyszczenia rys.9
- Zamontować części w kierunku odwrotnym do sekwencji demontażu

11. WYKRYWANIE USTEREK



Przed podjęciem decyzji o przeprowadzeniu jakichkolwiek napraw, należy odłączyć pompę od zasilania (np. wyjąć wtyczkę z gniazdka). Jeśli istnieje jakiegokolwiek uszkodzenie przewodu zasilającego lub pompy, wszystkie niezbędne naprawy lub wymiany muszą być wykonywane przez producenta, lub upoważnionego serwisu, lub przez osoby równie wykwalifikowane, w celu uniknięcia wszelkiego ryzyka.

Usterka	Mozliwa Przyczyna	Rozwiązania
Pompa nie włącza się	A. Pompa nie jest zasilona B. Zawór zwrotny VNR zablokowany w pozycji otwartej C. Brak wody	A. Sprawdzić zasilanie. B. Wyczyścić zawór zwrotny VNR. C. Przywrócić poziom wody .
Pompa nie tłoczy wody	A. Kosz ssawny lub rura tłocząca są zapchane. B. Wirnik jest zużyty lub zablokowany. C. Żądane ciśnienie tłoczenia jest wyższe od charakterystyki pompy.	A. Usunąć zanieczyszczenia. B. Wymień wirnik lub oczyść go.
Zbyt niski przepływ	A. Kosz ssawny jest częściowo zablokowany. B. Wirnik lub rura tłocząca są częściowo zablokowane lub zaskorupiałe.	A. Oczyść zanieczyszczenia. B. Oczyść zanieczyszczenia.
Pompa przestaje działać możliwa interwencja wyłącznika termicznego bezpieczeństwa).	A. Pompowana ciecz jest zbyt gęsta i przegrzewa silnik. Temperatura wody jest zbyt wysoka. B. Twardy przedmiot blokuje wirnik. C. Źródło zasilania nie spełnia wymagań pompy.	A.B.C.D. Odłącz przewód zasilający, usuń przyczynę przegrzewania się silnika, następnie odczekaj, aż pompa schłodzi się i ponownie podłącz przewód zasilający, aby wznowić pracę pompy.

12. GWARANCJA



Jakakolwiek modyfikacja nie upoważniona uprzednio, zwalnia konstruktora od jakiegokolwiek rodzaju odpowiedzialności. Wszystkie części zamienne użyte do napraw muszą być oryginalne i wszystkie akcesoria muszą być upoważnione przez konstruktora, tak, aby móc zapewnić maksymalne bezpieczeństwo maszyn i urządzeń, na których mogą być one zamontowane.

Ten produkt objęty jest gwarancją ustawową (w Unii Europejskiej trwającą 24 miesiące począwszy od daty zakupu) odnoszącą się do wszystkich defektów wynikających z wad fabrycznych lub zastosowanych materiałów. Produkt objęty gwarancją będzie mógł, według uznania, albo być wymieniony na inny o doskonałym stanie funkcjonowania lub naprawiony bezpłatnie, jeżeli będą przestrzegane następujące warunki:

- Produkt był używany w sposób poprawny i zgodnie z instrukcjami i nie była wykonana próba naprawy przez nabywcę lub osoby trzecią.
- Produkt zostanie dostarczony do punktu nabycia, załączając dokument potwierdzający kupno (faktura lub paragon fiskalny) i krótki opis zauważonego problemu.

Wirnik i części podatne na zużycie, nie podlegają gwarancji. Interwencja gwarancyjna w żaden sposób nie przedłuża okresu początkowego.

ÍNDICE

1. APLICAÇÕES	73
2. LÍQUIDOS BOMBEÁVEIS	73
3. DADOS TÉCNICOS E LIMITAÇÕES DE USO	73
4. GESTÃO.....	74
4.1 Armazenagem	74
4.2 Transporte.....	74
4.3 Peso e dimensões.....	74
5. AVISOS	74
6. INSTALAÇÃO	74
7. LIGAÇÃO ELÉTRICA	75
8. ARRANQUE	75
9. PRECAUÇÕES	75
10. MANUTENÇÃO E LIMPEZA	75
10.1 Limpeza do filtro de aspiração	76
10.2 Limpeza do impulsor	76
10.3 Limpeza da válvula de retenção NRV	76
11. RICERCA GUASTI.....	76
12. GARANTIA.....	76

AVISOS



Antes de fazer a instalação, ler muito bem todo este documento:



Antes de qualquer intervenção, retirar a ficha da tomada. Evitar absolutamente o funcionamento a seco.



Protecção contra a sobrecarga: a bomba é dotada de um aparelho de protecção térmica. Em caso de possível sobreaquecimento do motor, o aparelho de protecção desliga a bomba automaticamente. O tempo de arrefecimento é de cerca de 15-20 min e em seguida a bomba liga-se automaticamente. Após a intervenção da protecção, é absolutamente necessário localizar a causa e eliminá-la. Consulte o parágrafo Localização dos Defeitos.

1. APLICAÇÕES

Bomba submersível multiestágio com sistema eletrónico integrado, ideal para ser utilizada em instalações de água pluvial e redes de irrigação, para bombear água de reservatórios, cisternas, lagos e para outras aplicações domésticas que necessitam de pressão elevada.

Graças à forma compacta e maneável também pode ser utilizada como bomba portátil para emergências, como aspiração de água de reservatórios ou rios, esvaziamento de piscinas e chafarizes. Apropriada também para jardinagem e uso doméstico em geral.



Esta bomba não pode ser utilizada em piscinas, lagoas, lagos com presença de pessoas e/ ou para a bombagem de hidrocarbonetos (gasolina, gasóleo, óleos combustíveis, solventes etc.) segundo as normas de prevenção de acidentes vigentes em matéria. Antes de arrumar a bomba, recomenda-se fazer a limpeza. Consultar o capítulo “Manutenção e Limpeza”.

2. LÍQUIDOS BOMBEÁVEIS

Águas doces	•
Águas pluviais	•
Águas limpas residuais	○
Águas sujas	○
Água de chafariz	•
Água de rio ou lago	•
Dimensão máx. das partículas [mm]	Ø 1

Tabela 1

- Adequado
- Não adequado

3. DADOS TÉCNICOS E LIMITAÇÕES DE USO

- **Tensão de alimentação: 220-240V**, veja a placa de características eléctricas
- **Fusíveis de linha de ação retardada (versão 220-240V):** valores indicativos (Ampere)

Modelo	Fusíveis de linha 220-240V 50Hz
P1=900	4
P1=1100	5

Tabela 2

PORTUGUÊS

- Temperatura de armazenagem: -10°C +40°C

	Modelo	P1=900	P1=1100
Dados elétricos	P1 Potência nominal absorvida [W]	900	1100
	P2 [W]	650	750
	Voltagem de rede [V]	220-240 AC	220-240 AC
	Frequência de rede [Hz]	50	50
	Corrente [A]	3.8	4.8
	Condensador [μ F]	12.5	12.5
	Condensador [Vc]	450	450
Dados Hidráulicos	Caudal máx. [l/min]	95	95
	Altura manométrica máx. [m]	36	46
	Altura manométrica máx. [bar]	3.6	4.6
	Profundidade máx. de imersão [m]	12	12
	Altura mín. de submersão [cm]	12	12
	Pressão de arranque [bar]	2.6+ 0.2	2.6+ 0.2
Campo de aplicação	Compr. Cabo de alimentação [m]	15	15
	Tipo de cabo	H07 RNF	H07 RNF
	Grau de proteção do motor	IP 68	IP 68
	Classe de isolamento	B	B
	Intervalo de temperatura do líquido [°C] segundo EN 60335-2-41 para utilização doméstica	0 °C / +35 °C	0 °C / +35 °C
	Dimensão máx. das partículas [mm]	Ø 1	Ø 1
	Máx. Temperatura ambiente [°C]	+40 °C	+40 °C
Peso	DNM GAS	1" F	1" F
	Peso líquido/bruto aprox. [kg]	10.8/12.8	10 / 12

Tabela 3



A bomba que não está apoiada sobre uma base não pode sustentar o peso de tubagens. Este peso deve ser apoiado em outra posição.

4. GESTÃO

4.1 Armazenagem

Todas as bombas devem ser armazenadas em lugar coberto, seco e com humidade do ar possivelmente constante, sem vibrações ou poeira. São fornecidas na sua embalagem original na qual devem ser mantidas até que tenham sido instaladas.

4.2 Transporte

Evitar submeter os produtos a batidas ou choques inúteis.

4.3 Peso e dimensões

Na plaqueta adesiva da embalagem está indicado o peso total da eletrobomba e as suas dimensões.

5. AVISOS



As bombas nunca devem ser transportadas, levantadas ou acionadas se suspensas pelo cabo de alimentação. Utilizar apenas a pega e a corda fornecida.

- A bomba não deve nunca funcionar a seco.
- O dispositivo de estanquidade contém lubrificante atóxico, mas que pode alterar as características da água, em caso de água pura, se a bomba apresentar fugas.

6. INSTALAÇÃO

Apertar o bocal duplo com ligação presente na embalagem que é adequado para tubagens de ¾" e 1"; se for necessário utilizar uma tubagem de diâmetro superior, substituir a ligação. Utilizar também uma abraçadeira para fixar o tubo na ligação. Fig.1

- Recomenda-se utilizar tubagens de diâmetro interior de no mínimo ¾" mm para evitar a diminuição do desempenho da bomba.
- Para evitar a obstrução das passagens de aspiração, recomenda-se verificar periodicamente que na cisterna de colecta não haja sujidade acumulada (folhas, areia etc). Recomenda-se deixar uma distância mínima de 20 cm a fim de evitar obstruções na grelha de aspiração (Fig. 2).
- Ligar a ficha do cabo de alimentação a uma tomada de corrente de 230 V.

PORTUGUÊS

- a bomba deve ser ligada somente se imersa na água. Considerar uma submersão mínima de 12 cm. Se a água terminar, a bomba deve ser logo desligada retirando a ficha da tomada de corrente.
- A bomba deve ser colocada numa posição estável dentro de uma cisterna de colecta ou, de qualquer modo, no ponto mais baixo do local de instalação.
- A cisterna em que a bomba será posicionada deve ter as dimensões mínimas indicadas a seguir:
Dimensões mín. da base (mm) 150x150 / Altura mín. (mm) 800 Fig 2
- A cisterna deverá sempre ser dimensionada de acordo com a quantidade de água que entra e com o caudal da bomba para não submeter o motor a um número de arranques por hora excessivo. Recomenda-se vivamente não superar 20 arranques por hora.



A bomba deve ser instalada na posição vertical!

7. LIGAÇÃO ELÉTRICA



O comprimento do cabo de alimentação presente na bomba limita a profundidade máxima de imersão para a utilização da mesma. Seguir as instruções da placa de características técnicas e o quadro 3 deste manual.

8. ARRANQUE

O sistema eletrónico comanda de forma automática o arranque e a paragem (ON/OFF) da bomba de acordo com a necessidade de caudal de água do utilizador.

A electrónica protege a bomba do funcionamento em seco.

- Fase de ferragem: durante a fase de ferragem, a bomba efectua quatro tentativas de 30 segundos (motor ligado) com intervalos de 3 segundos (motor desligado). Se não houver água, a bomba pára durante uma hora e então efectua uma nova tentativa de ferragem. Se esta tentativa falhar, a pausa será de 5 horas, e então a bomba repete a tentativa de ferragem a cada 24 horas até quando o nível da água for suficiente para permitir o funcionamento normal.
- Funcionamento Normal: se, durante o funcionamento, por 40 segundos, o consumo de água for inferior ao caudal mínimo, a bomba activa o alarme e pára durante uma hora. De seguida, se o nível da água permanecer insuficiente, a bomba activa a fase de ferragem.

A electrónica protege a bomba contra falhas na válvula de retenção, geralmente causadas por incrustações de sujidade ou de areia. As incrustações impedem o fechamento da válvula de retenção e, em consequência disso, a bomba continua a funcionar mesmo sem água. No nosso caso, a bomba desliga de forma automática a cada hora; se tudo estiver normal, o utilizador notará apenas uma mínima queda de pressão que dura poucos segundos. Se, ao contrário, a válvula de retenção estiver bloqueada, a bomba activará o alarme e poderá ser ligada de novo só depois que as causas da obstrução forem eliminadas.

Controlo do caudal:

O controlo do caudal desativa a bomba se a água não for aspirada. Se houver fugas no lado de pressão (ex. válvula da água ou tubo flexível não estanque), a bomba arranca e para em breves intervalos de tempo. A bomba desliga por completo se arrancar e parar mais de 7 vezes em 2 minutos (em caso de fuga < 6 l/h). Uma vez eliminada a fuga no lado de pressão, desligar e ligar a bomba para que seja possível utilizá-la de novo.

A situação ideal de trabalho é com a bomba completamente submersa; todavia, o sistema de arrefecimento do motor permite, durante breves intervalos, a utilização até à altura mínima de aspiração (50 mm).

A bomba está equipada com um filtro, em aço inoxidável, contra os detritos.

9. PRECAUÇÕES

PERIGO DE GELO: quando a bomba permanecer inativa e a temperatura for inferior a 0 °C, é necessário assegurar-se que não haja água, pois há o risco de congelação que causaria fissuras nas partes de plástico.

Se a bomba foi utilizada com substâncias que podem depositar-se ou com água com cloro, enxaguar após a utilização com um forte jato de água para evitar que se formem depósitos ou incrustações que podem prejudicar as características da bomba.

10. MANUTENÇÃO E LIMPEZA

Durante o funcionamento normal, a eletrobomba não necessita de nenhum tipo de manutenção. Em todo o caso, todas as intervenções de reparação e manutenção devem ser feitas somente após ter desligado a bomba da rede de alimentação. Ao ligar de novo a bomba, assegurar-se que o filtro de aspiração esteja montado para não haver perigo ou possibilidade de contacto accidental com as partes móveis.

PORTUGUÊS

10.1 Limpeza do filtro de aspiração

- Desligar a alimentação elétrica da bomba.
- Esvaziar a bomba.
- Limpar com jato de água e com uma escova

10.2 Limpeza do impulsor

- Desligar a alimentação elétrica da bomba.
- Esvaziar a bomba.
- Desapertar os 8 parafusos de fixação da base do filtro (fig. 3).
- Retirar a base e o filtro (fig. 4)
- Mantendo firme o impulsor, desapertar a porca (fig. 5)
- Retirar o impulsor, o difusor, o anel e o o-ring.
- Repetir a mesma operação para todos os impulsores
- Lavar a bomba com água limpa para remover possíveis impurezas entre o motor e a camisa da bomba.
- Limpar o impulsor.
- Verificar se o impulsor pode rodar livremente.
- Montar as partes no sentido oposto à sequência de desmontagem.

10.3 Limpeza da válvula de retenção NRV

(Fig.6)

- Desligar a alimentação elétrica da bomba.
 - Desapertar os parafusos de fixação (Fig. 6) para retirar a pega.
 - Desapertar os 6 parafusos da tampa de descarga (Fig. 7)
 - Retirar a tampa de descarga e o filtro de areia (Fig. 8)
 - Retirar a válvula de retenção e limpá-la para remover a sujidade (Fig. 9)
- Montar as partes no sentido oposto à sequência de desmontagem.

11. RICERCA GUASTI



Antes de iniciar a localização dos defeitos, é necessário desligar a ligação eléctrica da bomba (desligar a fichada tomada). Se o cabo eléctrico ou a bomba, em qualquer parte eléctrica, estiver danificado, a intervenção de reparação ou substituição deve ser feita pelo Fabricante ou pelo seu serviço de assistência técnica ou por uma pessoa com qualificação equivalente, de modo a prevenir todos os riscos.

Defeitos	Controles (possíveis causas)	Soluções
A bomba não arranca	A. A bomba não está alimentada B. A válvula NRV está bloqueada na posição aberta C. Falta água	A. Verificar a alimentação B. Limpar a válvula NRV C. Restabelecer o nível da água
A bomba não funciona.	A. A grelha de aspiração ou os tubos estão obstruídos. B. O rotor está desgastado ou bloqueado. C. A altura manométrica pedida é superior às características da bomba.	A. Retire as obstruções. B. Substitua o rotor ou retire o bloqueio.
O caudal é insuficiente	A. Verifique se a grelha de aspiração não está parcialmente obstruída. B. Verifique se o rotor ou o tubo de compressão não estão parcialmente obstruídos ou com incrustações.	A. Retire eventuais obstruções. B. Retire eventuais obstruções.
A bomba pára (possível actuação do interruptor de segurança térmica).	A. Verifique se o líquido a bombear não é muito denso, pois isso causaria o sobreaquecimento do motor. B. Verifique se a temperatura da água não está demasiado elevada. C. Verifique se há corpos sólidos que bloqueiam o rotor. D. Alimentação não conforme com os dados da placa.	A.B.C.D. Desligue a ficha e solucione a causa que provocou o sobreaquecimento, aguarde o arrefecimento da bomba e ligue a ficha.

12. GARANTIA



Qualquer modificação não autorizada previamente isenta o fabricante de todo tipo de responsabilidade. Todas as peças sobresselentes utilizadas para as reparações devem ser originais e todos os acessórios devem ser autorizados pelo fabricante para poder garantir a máxima segurança das máquinas e dos sistemas nos quais estas podem ser montadas.

Este produto está coberto por garantia legal (na Comunidade Europeia durante 24 meses a contar da data de compra) contra todos os defeitos de fabrico ou do material utilizado.

O produto em garantia poderá ser, à discrição, substituído por um em perfeito estado de funcionamento ou reparado gratuitamente se cumpridas as seguintes condições:

- o produto foi utilizado de modo correto e conforme as instruções e não houve tentativa de reparação pelo comprador ou terceiros;
- o produto foi entregue ao ponto de venda onde adquirido, com o documento que comprova a compra anexado (fatura ou talão de compra) e uma breve descrição do problema ocorrido.

O impulsor e as partes sujeitas a desgaste não são abrangidos pela garantia. A intervenção ao abrigo da garantia não aumenta o período inicial de forma alguma.

INDICE

1. APLICAȚII	77
2. LICHIDE CE POT FI POMPATE	77
3. DATE TEHNICE ȘI LIMITĂRI DE FOLOS	77
4. GESTIUNE	78
4.1 Inmagazinare.....	78
4.2 Transport.....	78
4.3 Greutate și dimensiuni	78
5. AVERTISMENTE.....	78
6. INSTALARE	78
7. BRANȘAMENT ELECTRONIC.....	79
8. PORNIRE	79
9. PRECAUȚII	79
10. ÎNTREȚINERE ȘI CURĂȚIRE.....	79
10.1 Curățarea filtrului de aspirare	80
10.2 Curățirea rotorului.....	80
10.3 Curățarea NRV	80
11. REZOLVAREA PROBLEMELOR.....	80
12. GARANȚIA.....	80

AVERTISMENTE



Înainte de a începe montarea citiți cu atenție întreaga documentație:



Înainte de orice intervenție, scoateți cablul de alimentare din priză. Evitați neapărat funcționarea uscată.



Protecție la suprasarcină. Pompa este prevăzută cu dispozitiv de protecție termică a motorului. În caz de supraîncălzire a motorului, dispozitivul de protecție oprește pompa automat. Timpul de răcire este de aproximativ 15-20 min., apoi pompa repornește automat. După declanșarea dispozitivului de protecție a motorului este necesar să identificați și să eliminați cauza care a determinat-o. Consultați Rezolvarea problemelor.

1. APLICAȚII

Pompă submersibilă multietajată, cu componente electronice integrate, ideală pentru folosirea în sisteme de colectare a apei pluviale și în rețelele de irigare, pentru pomparea apei din rezervoare, cisterne, iazuri și pentru alte aplicații casnice ce necesită presiune ridicată.

Datorită formei compacte și ușor de manevrat poate fi folosită și în aplicații speciale, precum pompă portabilă pentru situații de urgență, cum ar fi scoaterea apei din rezervoare sau râuri, golirea piscinelor și fântânilor. Este potrivită și pentru grădinărit și activități amatoriiale în general.



Aceste pompe nu pot să fie utilizate în piscine, iazuri, bazine în prezența persoanelor, sau pentru pomparea hidrocarburilor (benzina, motorina, uleiuri combustibile, solvenți, etc.) conform normelor de prevenire a accidentelor în vigoare. Înainte de înmagazinare este bine să asigurați curățarea acestora. A se vedea capitolul „Întreținerea și curățarea”.

2. LICHIDE CE POT FI POMPATE

Apă dulce	•
Apă de ploaie	•
Ape pluviale	○
Ape murdare	○
Apă de fântână	•
Apă de râu sau de lac	•
Dimensiune max. particule [mm]	Ø 1

Tabel 1

- Adecvată
- Neadecvată

3. DATE TEHNICE ȘI LIMITĂRI DE FOLOS

- **Tensiune de alimentare:** 220-240V, a se vedea plăcuța date tehnice
- **Fuzibili de linie întârziați (versiunea 220-240V):** valori indicative (Amper)
- **Temperatură de magazinaj:** -10°C +40°C

Model	Fuzibili de linie 220-240V 50Hz
P1=900	4
P1=1100	5

Tabel 2

	Model	P1=900	P1=1100
Date electrice	P1 Putere absorbită nominală [W]	900	1100
	P2 [W]	650	750
	Tensiune de alimentare [V]	220-240 AC	220-240 AC
	Frecvență de alimentare [Hz]	50	50
	Curent [A]	3.8	4.8
	Condensator [μ F]	12.5	12.5
	Condensator [Vc]	450	450
Date hidraulice	Debit max. [l/min]	95	95
	Înălțime de pompare max. [m]	36	46
	Înălțime de pompare max. [bar]	3.6	4.6
	Adâncime scufundare max. [m]	12	12
	Adâncime min. de submersie [cm]	12	12
	Presiune de pornire [bar]	2.6+/- 0.2	2.6+/- 0.2
Domeniu de utilizare	Lung. cablu alimentare [m]	15	15
	Tip cablu	H07 RNF	H07 RNF
	Grad de protecție motor	IP 68	IP 68
	Clasă de izolație	B	B
	Interval temperatură lichid [°C] conform EN 60335-2-41 pentru uz casnic	0 °C / +35 °C	0 °C / +35 °C
	Dimensiune max. particule [mm]	Ø 1	Ø 1
	Temperatură ambiantă max. [°C]	+40 °C	+40 °C
Greutate	DNM GAS	1" F	1" F
	Greutate netă/brută aprox. [kg]	10.8/12.8	10 / 12

Tabel 3



Pompa care nu se sprijină pe o bază nu poate suporta greutatea tubaturilor care trebuie să fie susținută în mod diferit.

4. GESTIUNE

4.1 Inmagazinare

Toate pompele trebuie să fie înmagazinate în loc acoperit, uscat și cu umiditatea aerului dacă este posibil constantă, fără vibrații și prafuri. Sunt livrate în ambalajul original în care trebuie să rămână până în momentul instalării.

4.2 Transport

Evitați să supuneți produsele la lovituri și ciocniri inutile.

4.3 Greutate și dimensiuni

Eticheta adezivă de pe ambalaj indică greutatea totală a electropompei și dimensiunile sale.

5. AVERTISMENTE



Pompele nu trebuie niciodată transportate, ridicate sau puse în funcțiune suspendate de cablul de alimentare, folosiți mânerul special și coarda furnizată.

- Pompa nu trebuie niciodată să fie pusă în funcțiune pe uscat.
- Dispozitivul de închidere conține lubrifiant netoxic dar care poate altera caracteristicile apei, în cazul în care se tratează de apă pură, dacă pompa ar avea pierderi.

6. INSTALARE

Înșurubați niplul de racord prezent în ambalaj, care este adecvat pentru conducte cu dimensiuni de 3/4" și 1"; în cazul în care se dorește folosirea unei conducte cu diametru mai mare înlocuiți racordul. Folosiți și un colier de furtun pentru a fixa conducta în racord. Fig.1

- Vă recomandăm să folosiți conducte cu diametru interior de cel puțin 3/4" mm pentru a evita scăderea performanțelor pompei.
- Pentru a evita blocarea căilor de aspirație, vă recomandăm să verificați periodic dacă în cisterna de colectare nu s-a strâns murdărie (frunze, nisip etc.). Este bine să se prevadă o distanță minimă de 20 cm pentru a evita înfundarea grilei de aspirație (Fig.2).
- Conectați cablul de alimentare la o priză de curent de 230 V.
- Pompa trebuie utilizată numai dacă este scufundată în apă. Considerați o submersie minimă de 12 cm. Dacă apa se termină, pompa trebuie să fie imediat oprită scoțând cablul din priză.
- Pompa trebuie amplasată într-o poziție stabilă în interiorul unei cisterne de colectare sau, oricum, în punctul cel mai coborât al spațiului în care este montată.

- Asigurați-vă că dimensiunile minime ale cisternei în care este montată pompa respectă următoarele valori:
Dimensiuni base min. (mm) 150x150 / Altezza min. (mm) 800 Fig 2
- Cisterna va trebui să fie întotdeauna dimensionată și în funcție de cantitatea de apă ce sosește și de debitul pompei, pentru a nu supune motorul unui număr prea mare de porniri/oră; se recomandă să nu se depășească 20 de porniri/oră.



Pompa trebuie instalată în poziție verticală!

7. BRANȘAMENT ELECTRONIC



Lungimea cablului de alimentare de pe pompă limitează adâncimea maximă de scufundare la utilizarea acesteia. Respectați indicațiile de pe plăcuța cu date tehnice și din tabelul 3 din acest manual.

8. PORNIRE

Componentele electronice comandă automat pornirea și oprirea (ON/OFF) pompei în funcție de cererea de apă din partea utilizatorului.

Componentele electronice protejează aplicația împotriva funcționării uscate

- Faza de amorsare: în faza de amorsare, pompa efectuează patru încercări de câte 30" (motor ON) intercalate cu pauze de 3" (motor OFF). În lipsa apei, pompa se oprește timp de o oră, apoi face o nouă încercare de amorsare. Dacă această încercare nu reușește, pauza va fi de 5 ore, apoi aplicația repetă încercarea de amorsare la fiecare 24 de ore până când nivelul apei este suficient pentru a permite funcționarea normală
- Funcționarea normală: dacă, în timpul funcționării, consumul de apă este mai mic decât debitul minim timp de 40", pompa intră în stare de alarmă și se oprește timp de 1 oră. În cazul în care nivelul apei rămâne insuficient, pompa intră în faza de amorsare

Componentele electronice protejează pompa împotriva defectării Supapei de reținere (NRV), cauzată de obicei de depunerile de murdărie sau nisip. Aceste depuneri împiedică NRV să se închidă, aplicația continuând să funcționeze și în lipsa apei. În cazul nostru, pompa este oprită automat la fiecare oră; dacă totul decurge normal, utilizatorul observă doar o scădere ușoară de presiune, ce durează câteva secunde. Dacă, în schimb, NRV este blocată, pompa intră în stare de alarmă și poate fi repusă în funcțiune numai după înlăturarea blocajului.

Dispozitivul de control al debitului:

Dispozitivul de control al debitului dezactivează pompa în cazul în care nu mai aspiră apă. Dacă apar pierderi la refulare (de ex. robinetul de apă sau furtunul neetanș), pompa pornește și se oprește la intervale scurte de timp. Dacă pompa pornește și se oprește mai mult de 7 ori în 2 minute (în caz de pierderi < 6 l/h), aceasta se va opri complet. După eliminarea pierderilor la refulare, opriți și reporniți pompa pentru a o putea folosi din nou.

Situația ideală de lucru este cea în care pompa este complet scufundată; cu toate acestea, sistemului de răcire a motorului permite folosirea acesteia, pentru perioade scurte, până la înălțimea minimă de aspirație (50 mm).

Pompa este echipată cu un filtru de impurități din oțel inoxidabil.

9. PRECAUȚII

PERICOL DE ÎNGHEȚ: când pompa rămâne nefolosită la temperaturi mai mici de 0°C, trebuie să vă asigurați că nu există resturi de apă care, înghețând, ar putea determina fisurarea pieselor din plastic.

Dacă a fost folosită cu substanțe care tind să se depoziteze sau cu apă clorurată, după folosire clătiți pompa cu un jet puternic de apă pentru a evita formarea depunerilor sau depozitelor care ar afecta performanțele acesteia.

10. INTREȚINERE ȘI CURĂȚIRE

Dacă electropompa funcționează normal nu necesită nici un tip de întreținere. În orice caz toate intervențiile de reparare și întreținere trebuie efectuate doar după ce s-a dezlegat pompa de la rețeaua de alimentare. Când se repornește pompa, asigurați-vă că este mereu montat filtrul de aspirare astfel încât să nu se creeze pericol sau posibilitatea de contact accidental cu piesele în mișcare.

10.1 Curățarea filtrului de aspirare

- Dezactivați alimentarea electrică a pompei.
- Drenați pompa.
- Curățați cu un jet de apă și o perie

10.2 Curățirea rotorului

- Dezactivați alimentarea electrică a pompei.
- Drenați pompa.
- Deșurubați cele 8 șuruburi de fixare de la baza filtrului fig.3.
- Scoateți baza și filtrul fig.4
- Ținând rotorul cu mâna, deșurubați piulița fig.5
- Scoateți rotorul, difuzorul, inelul și o-ringul.
- Repetați operația pentru toate rotoarele
- Spălați pompa cu apă curată pentru a îndepărta posibile impurități între motor și manșonul pompei.
- Curățați rotorul.
- Verificați dacă rotorul se poate învârti liber.
- Asamblați piesele în sens opus secvenței de demontare.

10.3 Curățarea NRV

(Fig.6)

- Dezactivați alimentarea electrică a pompei.
- Scoateți mânerul, deșurubând cele două șuruburi de fixare fig 6
- Deșurubați cele 6 șuruburi de pe capacul de refulare fig.7
- Scoateți capacul de refulare și filtrul de nisip fig.8
- Scoateți supapa de reținere și curățați-o, dacă este murdară fig.9
- Montați piesele, executând invers procedura de demontare

11. REZOLVAREA PROBLEMELOR



Înainte de a începe rezolvarea problemelor trebuie să deconectați alimentarea electrică a pompei (scoateți cablul din priză). În cazul în care cablul de alimentare sau orice componentă electrică a pompei este deteriorată, reparația sau înlocuirea trebuie efectuate de Producător sau de serviciul său de asistență tehnică sau de o persoană cu calificare echivalentă, pentru a preveni orice risc.

Defecțiuni	Cauze	Soluții
Pompa nu pornește	A. Pompa nu este alimentată B. SDR blocată în poziția deschis C. Lipsește apa	A. Verificați sursa de alimentare. B. Curățați SDR C. Restabiliți nivelul apei
Pompa nu evacuează apa	A. Grila de aspirație sau conductele sunt înfundate. B. Rotorul este uzat sau blocat. C. Înălțimea de pompare necesară este mai mare decât capacitatea pompei.	A. Curățați depunerile B. Înlocuiți rotorul sau îndepărtați materialul care îl blochează.
Debit insuficient	A. Grila de aspirație este înfundată parțial. B. Rotorul sau conducta de refulare sunt înfundate parțial sau prezintă depuneri.	A. Îndepărtați eventualele depuneri. B. Îndepărtați eventualele depuneri.
Pompa se oprește (este posibil să se fi declanșat întrerupătorul termic de siguranță).	A. Lichidul care trebuie pompat este prea dens și motorul s-a supraîncălzit. B. Temperatura apei este prea ridicată. C. Un corp solid blochează rotorul. Sursa de alimentare nu corespunde cu valorile de pe eticheta cu date tehnice.	A.B.C.D. Scoateți cablul de alimentare din priză și eliminați cauza care a provocat supraîncălzirea, așteptați răcirea pompei și introduceți din nou cablul de alimentare în priză.

12. GARANȚIA



Orice modificații neautorizată preventiv, eliberează producătorul de orice responsabilitate. Toate piesele de schimb utilizate pentru reparări trebuie să fie originale și toate accesoriile trebuie să fie autorizate de producător, pentru a putea garanta maximă siguranță a aparatelor și instalațiilor pe care acestea pot fi montate.

Acest produs este acoperit de garanția legală (în Comunitatea Europeană 24 de luni de la data cumpărării) pentru toate defectele cauzate de vicii de fabricație sau ale materialelor folosite. Pe durata garanției produsul va putea, la discreție, să fie înlocuit cu unul în stare perfectă de funcționare sau să fie reparat gratuit, dacă sunt respectate următoarele condiții:

- produsul a fost folosit în mod corespunzător și în conformitate cu instrucțiunile și nu s-a încercat repararea de către cumpărător sau terțe părți.
- produsul a fost restituit la punctul de vânzare de unde a fost cumpărat, anexând documentul care demonstrează cumpărarea (factura sau bonul fiscal) și o scurtă descriere a problemei întâlnite.

Rotorul și piesele supuse uzurii nu sunt acoperite de garanție. Intervențiile efectuate în timpul garanției nu prelungesc, în niciun caz, perioada inițială.

СОДЕРЖАНИЕ

1. СФЕРЫ ПРИМЕНЕНИЯ.....	81
2. ПЕРЕКАЧИВАЕМЫЕ ЖИДКОСТИ.....	81
3. ТЕХНИЧЕСКИЕ ДАННЫЕ И ОГРАНИЧЕНИЯ В ЭКСПЛУАТАЦИИ	81
4. ЭКСПЛУАТАЦИЯ.....	82
4.1 Складирование	82
4.2 Транспортировка	82
4.3 Вес и размеры	82
5. ПРЕДУПРЕЖДЕНИЯ	82
6. МОНТАЖ	82
7. ЭЛЕКТРИЧЕСКОЕ ПОДКЛЮЧЕНИЕ.....	83
8. ЗАПУСК	83
9. ПРЕДОСТОРОЖНОСТИ.....	83
10. ТЕХНИЧЕСКОЕ ОБСЛУЖИВАНИЕ И ЧИСТКА.....	83
10.1 Очистка фильтра всасывания	84
10.2 Чистка крыльчатки.....	84
10.3 Чистка NRV.....	84
11. ПОИСК НЕИСПРАВНОСТЕЙ	84
12. ГАРАНТИЯ	84

ПРЕДУПРЕЖДЕНИЯ



Перед монтажом устройства внимательно прочитайте данную документацию:



Перед любой операцией отключите вилку. Категорически избегайте работы насоса без воды



Защита от перегрузок. Насос оборудован температурным защитным устройством. При перегреве двигателя защитное устройство автоматически выключает насос. Время охлаждения составляет около 15-20 мин., по истечении которых насос автоматически включается. После срабатывания защитного устройства необходимо найти причину, приведшую к срабатыванию, и устранить ее. См. «Поиск неисправностей».

1. СФЕРЫ ПРИМЕНЕНИЯ

Погружной насос с встроенной электроникой идеально подходит для применения в системах перекачивания дождевой воды и для сетей орошения, для перекачивания воды из резервуаров, цистерн, озер, а также для других применений, требующих повышенного давления.

Благодаря компактной конструкции и маневренности эти насосы находят свое применение в качестве переносных насосов для аварийных ситуаций, откачивания воды из резервуаров или рек, слива бассейнов и фонтанов. Также подходит для применения в области садоводства и хобби.



Эти насосы нельзя использовать в бассейнах, прудах, водоемах в присутствии людей или для обработки углеводородов (бензин, дизель, горючие масла, растворители и т.п.) согласно нормативам против несчастных случаев, действующим в этой области. Prima di riporre sarebbe buona norma prevedere una fase di pulizia. Vedi capitolo “Manutenzione e Pulizia”.

2. ПЕРЕКАЧИВАЕМЫЕ ЖИДКОСТИ

Чистая вода	•
Дождевая вода	•
Светлые сточные воды	○
Грязная вода	○
Вода из фонтанов	•
Речная или озерная вода	•
Макс.размеры частиц [мм]	Ø 1

Таблица 1

- Подходит
- Не подходит

3. ТЕХНИЧЕСКИЕ ДАННЫЕ И ОГРАНИЧЕНИЯ В ЭКСПЛУАТАЦИИ

- Напряжение электропитания: 220-240В, см. паспортную табличку
- Плавкие предохранители с задержкой (версия 220-240В): приблизительные значения (Ампер)

Модель	Сетевые предохранители 220-240В 50Гц
P1=900	4
P1=1100	5

Таблица 2

- Температура складирования: -10°C +40°C

	Модель	P1=900	P1=1100
Электрические характеристики	P1 Номинальная потребляемая мощность [Вт]	900	1100
	P2 [W]	650	750
	Напряжение в сети [В]	220-240 AC	220-240 AC
	Частота сети [Гц]	50	50
	Ток [А]	3.8	4.8
	Конденсатор [µF]	12.5	12.5
	Конденсатор [Vc]	450	450
Гидравлические характеристики	Максимальный расход [л/мин]	95	95
	Макс. высота напора [м]	36	46
	Макс. высота напора [бар]	3.6	4.6
	Макс. глубина погружения [м]	12	12
	Мин. высота погружения [см]	12	12
	Давление включения [бар]	2.6+ 0.2	2.6+ 0.2
Рабочий диапазон	Длина Кабель питания [м]	15	15
	Тип кабеля	H07 RNF	H07 RNF
	Степень защиты двигателя	IP 68	IP 68
	Класс изоляции	B	B
	Диапазон температуры жидкости [°C] согласно EN 60335-2-41 для бытового использования	0 °C / +35 °C	0 °C / +35 °C
	Макс.размеры частиц [мм]	Ø 1	Ø 1
	Макс. Температура в помещении [°C]	+40 °C	+40 °C
Вес	DNM GAS	1" F	1" F
	Вес нетто/брутто прим. [кг]	10.8/12.8	10 / 12

Таблица 3



Насос, не устанавливаемый на основание, не может подвергаться нагрузке трубопроводов, которая должна быть распределена иным способом.

4. ЭКСПЛУАТАЦИЯ

4.1 Складирование

Все насосы должны складироваться в крытом, сухом помещении, по возможности с постоянной влажностью воздуха, без вибраций и пыли. Насосы поставляются в их заводской оригинальной упаковке, в которой они должны оставаться вплоть до момента их монтажа.

4.2 Транспортировка

Предохраните изделия от лишних ударов и толчков.

4.3 Вес и размеры

Наклейка на упаковке указывает общий вес электронасоса и его размеры.

5. ПРЕДУПРЕЖДЕНИЯ



Насосы никогда не должны перевозиться, подниматься или включаться в подвешенном состоянии, используя кабель питания, используйте специальную ручку и веревку в комплекте.

- Насос никогда не должен работать всухую.
- Уплотнительное устройство содержит нетоксичную смазку, которая тем не менее может изменить свойства воды, если речь идет о чистой воде, в случае утечек из насоса.

6. МОНТАЖ

Привинтите ниппель к соединению на упаковке, который подходит к трубам размером 3/4" и 1" в том случае, если вы хотите использовать трубы с большим диаметром, замените соединение. Используйте также хомутик для затягивания трубы, для прикрепления трубы к соединению Рис.1

- Рекомендуется использовать трубы с минимальным внутренним диаметром 3/4" мм, чтобы избежать ухудшения эксплуатационных характеристик насоса.
- Чтобы избежать загрязнения проходов для всасывания, рекомендуется периодически проверять, что в цистерне сбора не скапливается грязь (листья, песок и т. д.), важно предусмотреть минимальное расстояние 20 см, чтобы избежать загрязнения решетки всасывания (Рис.2).
- Вставить вилку кабеля питания в розетку питания 230 В.

- Насос может быть включен, только если он погружен в воду. Учитывайте минимальное погружение 12 см.
- Если вода заканчивается, насос должен быть сразу же остановлен, отсоединив вилку от розетки питания.
- Насос должен располагаться в устойчивом положении внутри цистерны сбора или в наиболее низкой точке помещения установки.
- Предусмотрите, чтобы цистерна сбора имела минимальные размеры, указанные ниже:
Размеры основания (мм) 150x150 / Высота (мм) 800. Схема 2
- Цистерна всегда должна рассчитываться в зависимости от количества воды, поступающей в насос, и от расхода насоса таким образом, чтобы не подвергать двигатель чрезмерному количеству пусков в час; строго не рекомендуется превышать 20 запусков в час.



Насос должен быть установлен в вертикальном положении!

7. ЭЛЕКТРИЧЕСКОЕ ПОДКЛЮЧЕНИЕ



Длина сетевого кабеля насоса ограничивает максимальную глубину погружения при его эксплуатации. Выполняйте указания, приведенные на технической табличке и в руководстве в таблице 3.

8. ЗАПУСК

Электронная система автоматически управляет включением и выключением (ON/OFF) насоса в зависимости от запроса воды со стороны пользовательского устройства.

Электроника защищает насос от работы без воды.

- Фаза наполнения: На этапе наполнения, насос выполняет четыре попытки 30" (двигатель ВКЛ.), чередующиеся паузами 3" (двигатель ВЫКЛ.). В случае отсутствия воды, насос останавливается на час и затем производит новую попытку наполнения. Если эта попытка не удастся, пауза становится 5 часов, затем насос повторяет попытку наполнения через каждые 24 часа, до тех пор, пока уровень воды не станет достаточным, чтобы позволить нормальную работу.
- Нормальная работа: Если во время работы в течение 40" секунд расход воды ниже минимального потока, насос переходит в состояние тревоги и останавливается на 1 час. После чего, если уровень воды остается недостаточным, насос переходит к фазе наполнения.

Электроника защищает насос неисправностей невозвратного клапана (NRV), вызванных обычно отложениями грязи или песком. Отложения мешают клапану VNR закрываться, поэтому насос продолжает работать даже в отсутствие воды. В нашем случае, насос автоматически отключается каждый час; если все в норме, пользователь замечает только легкое падение давления продолжительность в несколько секунд. Если клапан VNR заблокирован, насос переходит в состояние тревоги и может быть включен в работу только после того, как были удалены причины засорения.

Контроль расхода:

Контроль расхода отключает насос в случае, если он не закачивает воду. Если имеются потери со стороны давления (например, кран воды или шланг не герметичны), насос включается и выключается через короткие промежутки времени. Если насос включается и выключается более 7 раз за 2 минуты (в случае утечки < 6 л/ч), он выключается полностью. После устранения утечки со стороны давления отключите и вновь включите насос, пока его нельзя будет использовать вновь.

Идеальное рабочее состояние при полностью погруженном насосе; несмотря на это, система охлаждения двигателя позволяет в течение непродолжительного времени его использование до минимальной высоты всасывания (50 мм).

Насос оборудован фильтром для защиты от загрязнений из нержавеющей стали.

9. ПРЕДОСТОРОЖНОСТИ

ОПАСНОСТЬ ЗАМЕРЗАНИЯ: когда насос остается не включенным при температуре ниже 0°C, необходимо убедиться, что в нем нет остатков воды, которые при замерзании могут привести к трещинам пластиковых частей. Если насос использовался с веществами, которые имеют тенденцию к отложению или с хлорированной водой, ополосните его после использования сильной струей воды, чтобы избежать формирования осадка или отложений, которые снижают эксплуатационные характеристики насоса.

10. ТЕХНИЧЕСКОЕ ОБСЛУЖИВАНИЕ И ЧИСТКА

В нормальном рабочем режиме электронасос не нуждается в каком-либо техническом обслуживании. В любом случае все работы по ремонту и техническому обслуживанию должны осуществляться после отсоединения насоса от сети электропитания. При перезапуске насоса проверить, чтобы всасывающий фильтр был всегда на месте во избежание опасности или возможности случайного контакта с подвижными органами.

10.1 Очистка фильтра всасывания

- Обесточить насос.
- Слить воду из насоса.
- Очистите струей воды и щеткой

10.2 Чистка крыльчатки

- Обесточить насос.
- Слить воду из насоса.
- Отвинтите 8 винтов крепления на основании фильтра рис. 3.
- Снимите основание и фильтр рис.4
- Удерживая крыльчатку, отвинтите гайку рис. 5.
- Выньте крыльчатку, диффузор, кольцо и кольцевые уплотнения.
- Повторите действия для всех крыльчаток
- Промыть насос чистой водой, удаляя все возможные загрязнения между двигателем и кожухом насоса.
- Прочистить крыльчатку.
- Проверить, чтобы крыльчатка вращалась свободно.
- Собрать все комплектующие в порядке, обратному демонтажу.

10.3 Чистка NRV

(Рис.6)

- Обесточить насос.
- Снять ручку, отвинтив два крепежных винта, рис. 6.
- Отвинтите 6 крепежных винтов на крышке подачи, рис. 7.
- Выньте крышку подачи и фильтр для защиты от попадания песка, рис. 9.
- Снимите стопорный клапан и очистите его от загрязнения рис.9
Соберите части методом обратной сборки, в обратной последовательности

11. ПОИСК НЕИСПРАВНОСТЕЙ



Перед тем, как начинать поиск неисправностей, необходимо отсоединить электрическое питание от насоса (вынуть вилку из розетки). Если кабель питания или любая электрическая часть насоса повреждены, операция по замене или ремонту должна выполняться производителем или его службой техсервиса или квалифицированным человеком, чтобы избежать возможных опасностей.

Неисправности	Проверки (возможные причины)	Способы устранения
Насос не включается.	A. Насос не получает питание. B. VNR заблокирован в открытом положении C. Нет воды	A. Проверьте питание. B. Очистите VNR C. Восстановите уровень воды
Насос не производит подачу	A. Решетка всасывания или трубы засорены. B. Рабочее колесо изношено или заблокировано. C. Требуемый напор превышает характеристики насоса..	A. Удалить засорения B. Заменить рабочее колесо или разблокировать его.
Поток недостаточный	A. Проверить, что решетка всасывания частично не засорилась. B. Проверить, что рабочее колесо или труба подачи не засорилась или что на них не сформировались отложения.	A. Удалить возможные помехи. B. Удалить возможные помехи.
Насос останавливается (возможное срабатывание температурного предохранительного выключателя).	A. верить, что перекачиваемая жидкость не слишком густая, так как она может привести к перегреву двигателя. B. Проверить, что температура воды не слишком высокая. C. Проверить, что никакое твердое тело не блокирует рабочее колесо. D. Питание не соответствует данным таблички.	A.B.C.D. Вынуть вилку и устранить причину, приведшую к перегреву, подождать охлаждения насоса и вновь вставить вилку.

12. ГАРАНТИЯ



Любое ранее неуполномоченное изменение снимает с производителя всякую ответственность. Все запасные части, используемые при техническом обслуживании, должны быть оригинальными, и все вспомогательные принадлежности должны быть утверждены производителем для обеспечения максимальной безопасности персонала, оборудования и установки, на которую они устанавливаются.

Это изделие имеет гарантию (в Европейском Сообществе сроком на 24 месяца с даты покупки) на все дефекты, связанные с изготовлением или используемым материалом.

Изделие по гарантии может быть заменено на другое в рабочем состоянии или бесплатно отремонтировано при соблюдении следующих условий:

- изделие использовалось правильно и в соответствии с инструкциями, не производились попытки отремонтировать его самим покупателем или третьими лицами.
- изделие было передано в магазин, прилагая к нему документ, удостоверяющий покупку (счет или чек), и краткое описание встреченной проблемы.

Крыльчатка и части, подверженные износу, не входят в действие гарантии. Гарантийное обслуживание ни при каких обстоятельствах не продлевает действия гарантии.

OBSAH

1. APLIKÁCIE	85
2. ČERPATEĽNÉ KVAPALINY	85
3. TECHNICKÉ ÚDAJE A OBMEDZENIA PRI POUŽÍVANÍ.....	85
4. MANIPULÁCIA.....	86
4.1 Skladovanie.....	86
4.2 Prenášanie	86
4.3 Hmotnosť a rozmery.....	86
5. VAROVANIA	86
6. INŠTALÁCIA	86
7. ELEKTRICKÉ ZAPOJENIE	87
8. SPUSTENIE	87
9. OPATRENIA.....	87
10. ÚDRŽBA A ČISTENIE	87
10.1 Čistenie nasávacieho filtra	88
10.2 Čistenie obežného kolesa	88
10.3 Čistenie spätného ventilu (NRV)	88
11. VYHĽADÁVANIE PORÚCH.....	88
12. ZÁRUKA.....	88

VAROVANIA



Pred zahájením inštalácie si pozorne prečítajte kompletnú dokumentáciu:



Pred každým zásahom vyťahnite zástrčku zo zásuvky elektrickej siete. Nikdy neuvádzajte čerpadlo do chodu nasucho.



Ochrana proti preťaženiu. Motor čerpadla je vybavený tepelnou poistkou. V prípade, že stúpajúcou záťažou motora dôjde k jeho prehriatiu, táto poistka automaticky vypne čerpadlo. Po vychladnutí motora, čo môže trvať približne 15 až 20 minút, čerpadlo sa opäť automaticky zapne. Vždy, keď dôjde k aktivácii tepelnej poistky, je nutné zistiť a odstrániť príčinu prehriatia motora. Viď časť Vyhľadávanie porúch.

1. APLIKÁCIE

Viacstupňové ponorné čerpadlo s integrovanou elektronikou, určené pre použitie v systémoch dažďovej vody a zavlažovacích sieťach, na čerpanie vody z nádrží, cisterien a jazierok, a pre aplikácie v domácnosti, ktoré vyžadujú vysoký tlak.

Vďaka kompaktnému tvaru, ktorý umožňuje jednoduchú manipuláciu, nachádzajú tiež špeciálne uplatnenia ako prenosné čerpadlá pre núdzové prípady, ako je odber vody z nádrží alebo riek, vyprázdňovanie bazénov a fontán. Je vhodné aj pre záhradkárov a domácich majstrov vo všeobecnosti.



Tieto čerpadlá nesmú byť používané v bazénoch, rybníkoch, nádržiach pri prítomnosti osôb alebo na čerpanie uhľovodíkov (benzín, nafta, vykurovacích olejov, riedidiel atď.) v súlade s platnými protiúrazovými normami. Pred ich odložením odporúčame čerpadlo vyčistiť. Viď kapitola „Údržba a Čistenie“.

2. ČERPATEĽNÉ KVAPALINY

Čerstvá voda	•
Dažďová voda	•
Úžitková odpadová voda	○
Splaškové vody	○
Voda z bazénov a fontán	•
Riečna alebo jazerná voda	•
Max. rozmery častíc [mm]	Ø 1

- Vhodné
- Nevhodné

Tabuľka 1

3. TECHNICKÉ ÚDAJE A OBMEDZENIA PRI POUŽÍVANÍ

- Napájacie napätie: 220-240V, pozri štítok s elektrickými údajmi
- Poistky vedenia s oneskorením (verzia 220-240V): indikatívne hodnoty (Ampér)
- Teplota skladovania: -10°C +40°C

Model	Poistky vedenia 220-240V 50Hz
P1=900	4
P1=1100	5

Tabuľka 2

	Model	P1=900	P1=1100
Elektrické parametre	P1 Menovitý príkon [W]	900	1100
	P2 [W]	650	750
	Sieťové napätie [V]	220-240 AC	220-240 AC
	Sieťová frekvencia [Hz]	50	50
	Prúd [A]	3.8	4.8
	Kondenzátor [μ F]	12.5	12.5
	Kondenzátor [Vc]	450	450
Vodné parametre	Max. prietok [l/min]	95	95
	Max. výtlačná výška [m]	36	46
	Max. dynamický tlak [bar]	3.6	4.6
	Max. hĺbka ponoru [m]	12	12
	Min. hĺbka ponoru [cm]	12	12
	Zapínací tlak [bar]	2.6+ 0.2	2.6+ 0.2
Prevádzkový rozsah	Dĺžka napájacieho kábla [m]	15	15
	Typ kábla	H07 RNF	H07 RNF
	Trieda ochrany motora	IP 68	IP 68
	Trieda izolácie	B	B
	Teplotný rozsah kvapaliny [°C] v súlade s EN 60335-2-41 pre používanie v domácnosti	0 °C / +35 °C	0 °C / +35 °C
	Max. rozmery častíc [mm]	Ø 1	Ø 1
	Max. teplota prostredia [°C]	+40 °C	+40 °C
Ostatné	Pripojovací rozmer	1" (vnútorný)	1" (vnútorný)
	Čistá/hrubá hmotnosť pribl. [kg]	10.8/12.8	10 / 12

Tabuľka 3



Čerpadlo, ktoré nie je uložené na podstavci, nemôže niesť hmotnosť hadíc, ktorá musí byť nesená odlišne.

4. MANIPULÁCIA

4.1 Skladovanie

Všetky čerpadlá musia byť skladované na krytom a suchom mieste s podľa možnosti stálou vlhkosťou vzduchu, bez vibrácií a prachu. Dodávajú sa v originálnom obale, v ktorom musia zostať až do momentu inštalácie.

4.2 Prenášanie

Nevystavujte výrobky zbytočným nárazom a kolíziám.

4.3 Hmotnosť a rozmery

Na samolepiacom štítku, nalepenom na obale, je uvedená celková hmotnosť elektročerpadla a jeho rozmery.

5. VAROVANIA



Čerpadlá nesmú byť nikdy prepravované, dvíhané alebo uvádzané do chodu tak, že budú zavesené za napájací kábel; pre tento účel používajte príslušnú rukoväť a dodané lano z výbavy.

- Čerpadlo nesmie byť nikdy uvedené do chodu nasucho.
- Tesniace zariadenie obsahuje nejedovaté mazivo, ktoré však môže zmeniť charakteristiky vody a to v prípade úsekov s čistou vodou, ak by čerpadlo malo úniky.

6. INŠTALÁCIA

Zaskrutkujte vsuvku s úchytom, ktorá sa nachádza v obale, a ktorá je vybavené potrubím s rozmermi ¾" a 1"; v prípade, ak chcete použiť potrubie s väčším priemerom, vymeňte spojku. Ďalej použite sťahovaciu pásku na pripevnenie hadice k prípojke. obr1

- Odporúča sa používať potrubia s minimálnym vnútorným priemerom ¾", aby sa zabránilo poklesu výkonu čerpadla.
- Aby sa zabránilo upchatiu nasávacích priechodov, odporúča sa pravidelne kontrolovať, či sa v zbernej nádrže ne nahromadili nečistoty (lístie, piesok, atď.). Je vhodné počítať s minimálnou vzdialenosťou 20 cm odo dna, aby sa zabránilo upchatiu nasávacej mriežky (obr. 2).
- Zasuňte zástrčku napájacieho kábla do zásuvky elektrickej siete s napätím 230 V.
- Čerpadlo musí byť uvedené do chodu výhradne len ak je ponorené vo vode. Dodržte minimálny ponor 12 cm. Akonáhle sa voda vyčerpá, je nutné ihneď čerpadlo vypnúť.
- Čerpadlo postavte do stabilnej polohy, vo vnútri zbernej nádrže alebo na najnižší bod miesta inštalácie.

- Zaisťte, aby mala zberná nádrž na uloženie čerpadla nižšie uvedené minimálne rozmery:
Min. základné rozmery 150x150 mm / min. výška 800 mm - Obr.2
- Rozmery nádrže musia byť vždy navrhnuté v závislosti na množstve prichádzajúcej vody a na prietoku čerpadla, aby motor nebol vystavovaný nadmernému počtu spustení/hodinu; dôsledne sa odporúča neprekročiť 20 spustení/hodinu.



Čerpadlo musí byť inštalované vo zvislej polohe!

7. ELEKTRICKÉ ZAPOJENIE



Dĺžka napájacieho kábla na čerpadle obmedzuje maximálnu hĺbku ponoru pri jeho používaní. Dodržiavajte údaje uvedené na štítku s technickými parametrami a v tabuľke 3 tohto návodu.

8. SPUSTENIE

Elektronika automaticky ovláda zapnutie a vypnutie (ZAP./VYP.) čerpadla, v závislosti na požiadavke na vodu zo strany užívateľa.

Elektronická jednotka chráni čerpadlo pred chodom nasucho:

- Nasávací fáza: počas fázy nasávania čerpadlo urobí štyri pokusy trvajúce 30 sekúnd (motor ON) oddelené pauzami 3 sekundy (motor OFF). V prípade nedostatku vody, čerpadlo sa zastaví na hodinu a potom sa opäť pokúsi o nasávanie. Pokiaľ sa tento pokus nepodarí, pauza sa predĺži na 5 hodín a potom systém opakuje pokus o nasávanie každých 24 hodín, až do chvíle, keď hladina vody dosiahne úroveň dostatočnej pre normálnu prevádzku.
- Normálna prevádzka: Pokiaľ je počas prevádzky po dobu 40 sekúnd prísun vody nižšia ako minimálny prietok, čerpadlo sa uvedie do poplašného stavu a zastaví sa na 1 hodinu. Potom, pokiaľ hladina vody zostane nedostatočná, čerpadlo vstúpi do fázy nasávania.

Elektronická časť chráni čerpadlo pred poruchami spätného ventilu (NRV), ktoré sú obvykle spôsobené nánosmi nečistôt alebo piesku. Nánosy zabraňujú spätnému ventilu, aby sa zatvoril a systém pokračuje vo funkcii, aj pokiaľ chýba voda. V našom prípade sa čerpadlo každú hodinu vypne; za normálnych podmienok užívateľ zaznamená iba ľahký pokles tlaku v trvaní niekoľkých sekúnd. Pokiaľ sa ventil zablokuje, čerpadlo sa zablokuje v poplašnom stave a môže byť uvedené do funkcie, až po odstránení príčiny upchatia.

Kontrola prietoku:

Kontrola prietoku vypne čerpadlo v prípade chýbajúceho odberu vody. Keď sa vyskytnú úniky na tlakovej strane (napr. netesný ventil vody alebo netesná hadica), dôjde k zapnutiu a vypnutiu čerpadla v krátkych časových intervaloch. Keď dôjde k zapnutiu a vypnutiu čerpadla viac ako 7-krát v priebehu 2 minút (v prípade úniku < 6 l/h), bude vypnuté úplne. Po odstránení úniku na tlakovej strane čerpadlo vypnete a zapnete.

Ideálna prevádzková situácia je pri kompletne ponorenom čerpadle; chladiaci systém motora umožňuje krátkodobú funkciu až do minimálnej sacej výšky (50 mm).

Čerpadlo je opatrené filtrom na zachytávanie nečistôt z nerezovej ocele.

9. OPATRENIA

NEBEZPEČENSTVO ZAMRZNUTIA: Keď čerpadlo zostane vypnuté pri teplote nižšej ako 0 °C, je potrebné sa uistiť, že sa v ňom nenachádzajú zvyšky vody, ktoré by pri zamrznutí mohli spôsobiť praskliny v plastových častiach.

Ak použijete čerpadlo na čerpanie látok, ktoré majú tendenciu vytvárať nánosy, alebo na čerpanie chlóranej vody, po použití ho opláchnite silným prúdom vody tak, aby sa zabránilo vytváraniu nánosov alebo usadenín, ktoré by mohli znížiť výkon čerpadla.

10. ÚDRŽBA A ČISTENIE

Elektrické čerpadlo si pri normálnej činnosti nevyžaduje žiaden typ údržby. V každom prípade akékoľvek zásahy opravy a údržby musia byť uskutočnené len po odpojení čerpadla z napájacej siete. Keď sa opätovne spúšťa čerpadlo, tak je potrebné sa uistiť o tom, aby bol vždy namontovaný nasávací filter, aby nevzniklo nebezpečenstvo alebo možnosť náhodného kontaktu s pohybujúcimi sa časťami.

10.1 Čistenie nasávacieho filtra

- Odpojte elektrické napájanie čerpadla.
- Nechajte vytečť vodu z čerpadla.
- Vyčistíte ho prúdom vody a kefou.

10.2 Čistenie obežného kolesa

- Odpojte elektrické napájanie čerpadla.
- Nechajte vytečť vodu z čerpadla.
- Odstukujte 8 upevňovacích skrutiek na spodnej časti filtra - obr. 3.
- Odložte spodnú časť a filter - obr. 4.
- Pridržte obežné koleso a odstukujte maticu - obr. 5.
- Vyberte obežné koleso, difúzor, krúžok a o-krúžok.
- Zopakujte uvedený postup pre všetky obežné kolesá.
- Umyte čerpadlo čistou vodou, aby sa odstránili možné nečistoty medzi motorom a pláštom čerpadla.
- Očistite obežné koleso.
- Overte, že sa obežné koleso môže voľne otáčať.
- Zložte časti v opačnom zmysle k postupnosti demontáže.

10.3 Čistenie spätného ventilu (NRV)**(Obrázok 6)**

- Odpojte elektrické napájanie čerpadla.
 - Odmontujte rukoväť odstukovaním dvoch upevňovacích skrutiek - obr. 6.
 - Odstukujte 6 skrutiek z prítokového veka - obr. 7.
 - Vyberte prítokové veko a pieskový filter - obr. 8.
 - Zložte spätný ventil a vyčistíte ho od prípadných nečistôt - obr. 9.
- Namontujte jednotlivé časti, pričom postupujte ako pri demontáži, ale v opačnom poradí.

11. VYHLADÁVANIE PORÚCH

Pred vyhľadávaním porúch vždy odpojte privodný kábel od elektrickej siete (vytiahnite vidlicu privodného kábla zo zásuvky). Ak zistíte nejaké poškodenie čerpadla alebo privodného kábla, obráťte sa s opravou na výrobcu alebo na jeho autorizovaný servis alebo osobu s rovnakou kvalifikáciou, aby bolo zamedzené akémukoľvek nebezpečenstvu.

Porucha	Overenie	Odstránenie
Nedochádza k zapnutiu čerpadla.	A. Čerpadlo nie je napájané. B. Spätný ventil (NRV) je zablokovaný v polohe otvorenia. C. Chýba voda.	A. Skontrolujte napájanie. B. Vyčistíte spätný ventil. C. Obnovte hladinu vody.
Čerpadlo nečerpá	A. Sacie sito alebo výtlačné vedenie je upchané. B. Obehové koleso čerpadla je opotrebované alebo zablokované. C. Požadovaná výtlačná výška je väčšia ako hodnota príslušného parametra čerpadla.	A. Odstráňte prekážky. B. Vymeňte obehové koleso alebo odstráňte zablokovanie. C. Vymeňte čerpadlo za iné s vyššou výtlačnou výškou.
Prietok je príliš malý	A. Skontrolujte, či nie je sacie sito čiastočne upchané. B. Skontrolujte, či nie je obehové koleso alebo výtlačné vedenie čiastočne upchané alebo zanesené.	A. Odstráňte prípadné prekážky. B. Odstráňte prípadné prekážky.
Čerpadlo sa zastavilo (je možné, že sa aktivovala tepelná ochrana motora).	A. Skontrolujte, či nie je čerpaná kvapalina príliš hustá, pretože by spôsobovala prehriatie motora. B. Skontrolujte, či nie je teplota čerpanej vody príliš vysoká. C. Skontrolujte, či nejaký pevný predmet nezablokoval obehové koleso. D. Parametre elektrickej siete nezodpovedajú štítkovým hodnotám čerpadla.	A.B.C.D. Odpojte čerpadlo od siete, zistíte a odstráňte príčinu prehriatia. Počkajte, kým motor vychladne, a zapojte vidlicu do zásuvky.

12. ZÁRUKA

Každá úprava, ktorá nebola autorizovaná predom, zbavuje výrobcu zodpovednosti akéhokoľvek druhu. Všetky náhradné diely používané pri opravách musia byť originálne a všetko príslušenstvo musí byť autorizované výrobcom, aby sa mohla garantovať maximálna bezpečnosť strojov a zariadení, na ktorých môžu byť namontované.

Na tento výrobok sa vzťahuje právna záruka (v Európskom spoločenstve na dobu 24 mesiacov od dátumu zakúpenia) na všetky výrobné chyby alebo na použitý materiál.

Výrobok v záruke bude možné, na základe nenapadnuteľného rozhodnutia, buď vymeniť za iný v dokonale funkčnom stave

alebo bezplatne opraviť, ak boli dodržané nižšie uvedené podmienky:

- výrobok bol používaný správnym spôsobom, v súlade s návodom, a nebol vykonaný žiadny pokus o opravu kupujúcim alebo treťou stranou;
- výrobok bol doručený do predajného miesta, v ktorom bol zakúpený, s priložením dokumentu, ktorý potvrdzuje zakúpenie (faktúra alebo účtenka) a krátkym popisom zaznamenaného problému.

Záruka sa nevzťahuje na časti vystavené opotrebovaniu, čo je najmä obežné koleso, upchávky a tesnenia.

KAZALO

1. UPORABA.....	89
2. TEKOČINE, KI JIH JE MOGOČE ČRPATI	89
3. TEHNIČNI PODATKI IN OMEJITVE UPORABE	89
4. UPRAVLJANJE	90
4.1 Skladiščenje	90
4.2 Prevažanje	90
4.3 Teža in velikost	90
5. OPOZORILO	90
6. NAMESTITEV.....	90
7. PRIKLOP NA ELEKTRIKO.....	91
8. ZAGON.....	91
9. VARNOSTNI UKREPI.....	91
10. ČIŠČENJE IN VZDRŽEVANJE.....	91
10.1 Čiščenje sesalnega filtra	92
10.2 Čiščenje rotorja.....	92
10.3 Čiščenje nepovratnega ventila	92
11. ISKANJE OKVARE.....	92
12. GARANCIJA	92

OPOZORILO



Pred nameščanjem natančno preberite celotno dokumentacijo:



Pred vsakim posegom jo izklopite iz napajanja. V vsakem primeru se izognite delovanju na suho.



Zaščita proti preobremenjenosti . Črpalka ima samodejno toplotno zaščito motorja. V primeru eventualnega pregrevanja motorja, samodejna naprava avtomatsko izključi črpalko. Potreben čas za ohlajevanje je približno 15-20 minut, nato pa se črpalka avtomatski ponovno vključi. Po posegu samodejne naprave je nujno potrebno poiskati vzrok in ga eliminirati. Poglejte si po-glavje Iskanje Okvar.

1. UPORABA

Potopna črpalka z variabilnim doziranjem in integrirano elektroniko, idealna za sisteme z deževnico in zalivalna omrežja, za črpanje vode iz rezervoarjev, cistem, jezer ter za drugo gospodinjstvo rabo, ki zahteva visok tlak.

Zaradi kompaktnosti in priročnosti so uporabne tudi kot prenosne črpalke za nujne primere kot je zajemanje vode iz rezervoarjev ali rek, praznjenje bazenov in vodnjakov. Primerna je tudi za vrtnarstvo in konjičke na sploh.



Teh črpalk ni mogoče uporabljati v bazenih, mlakah, bazenih z ljudmi oz. za črpanje ogljikovodikov (bencina, dizelskega goriva, oljnih goriv, topil itd.) v skladu z veljavnimi protinezgodnimi predpisi za področje. Pred shranjevanjem je priporočljivo čiščenje. Glej poglavje "Čiščenje in vzdrževanje".

2. TEKOČINE, KI JIH JE MOGOČE ČRPATI

Sladke vode	•
Deževnica	•
Čiste odpadne vode	○
Umazane vode	○
Voda iz vodnjaka	•
Voda iz rek ali jezer	•
Velikost delcev maks. [mm]	Ø 1

Preglednica 1

- Primerno
- Neprimerno

3. TEHNIČNI PODATKI IN OMEJITVE UPORABE

- Napajalna napetost: 220-240V, glej tablico s podatki o elektriki
- Tokovni prekinjevalnik (različica 220-240V): okvirne vrednosti (amper)
- Temperatura skladiščenja: -10°C +40°C

Model	Omrežna varovalka 220-240V 50 Hz
P1=900	4
P1=1100	5

Preglednica2

	Model	P1=900	P1=1100
Električni podatki	P1 Nominalna vhodna moč [W]	900	1100
	P2 [W]	650	750
	Napetost omrežja	220-240 AC	220-240 AC
	Frekvenca omrežja [Hz]	50	50
	Tok [A]	3.8	4.8
	Kondenzator [μ F]	12.5	12.5
	Kondenzator [Vc]	450	450
Hidravlični podatki	Maks. pretok [l/min]	95	95
	Maks. sesalna višina [m]	36	46
	Maks. sesalna višina [bar]	3.6	4.6
	Maks. globina potopa [m]	12	12
	Min. višina potopa [cm]	12	12
	Tlak zagona [bar]	2.6+ - 0.2	2.6+ - 0.2
Področje uporabe	Dol. Napajalni kabel [m]	15	15
	Vrsta kabla	H07 RNF	H07 RNF
	Stopnja zaščite motorja	IP 68	IP 68
	Izolacijski razred	B	B
	Polje temperature tekočine [°C] v skladu z EN 60335-2-41 za uporabo v gospodinjstvu	0 °C / +35 °C	0 °C / +35 °C
	Maks. velikost delcev [mm]	Ø 1	Ø 1
	Maks. Temperatura okolja [°C]	+40 °C	+40 °C
Teža	DNM GAS	1" F	1" F
	Neto/bruto teža ca. [kg]	10.8/12.8	10 / 12

Preglednica 3



Črpalka, ki ne stoji na podlagi ne more vzdržati teže cevododa, ki ga je treba drugače podpreti.

4. UPRAVLJANJE

4.1 Skladiščenje

Vse črpalke je treba skladiščiti v zaprtih in suhih prostorih s konstantno vlažnostjo zraka, brez vibracij in prašnih delcev. Dobavljajo se v originalnem pakiranju in se ne smejo odvijati do namestitve.

4.2 Prevažanje

Izdelkov ne izpostavljajte nepotrebni udarcem in trkom.

4.3 Teža in velikost

Na nalepki na embalaži je navedena skupna teža električne črpalke in njena velikost.

5. OPOZORILO



Črpalke se ne sme nikoli prevažati, dvigovati ali vklapljeti tako, da visijo na napajalnem kablu. Za to se uporablja ustrezna ročica in priložena vrv.

- Črpalke se ne sme nikoli vključiti na suhem.
- Tesnilo vsebuje netoksično mazivo, ki lahko spremeni značilnosti vode, če gre za čisto vodo in bi črpalka puščala.

6. NAMESTITEV

Privijte nosilni spojnik z objemko, ki ga najdete v embalaži, ki je primeren za cevi s premerom $\frac{3}{4}$ " in 1" . Če želite uporabiti cevi z večjim premerom zamenjajte spojnik. Utilizzare una fascetta stringitubo per fissare il tubo all'attacco. Fig.1

- Priporoča se raba cevododa z notranjim premerom najmanj $\frac{3}{4}$ " mm, da se ne zmanjša sposobnost delovanja črpalke.
- Da preprečite zamašitev sesalnih prehodov priporočamo, da občasno preverite, da se v zbirnem rezervoarju ni nabrala umazanija (listje, pesek itd.). Dobro je predvideti razdaljo 20 cm, da ne bi prišlo do zamašitve sesalne rešetke (Sl. 2)
- Vključite vtičač napajalnega kabla v vtičnico z napetostjo 230 V.
- Črpalke zaženite le, če je potopljena v vodo. Upoštevajte minimalni potop 12 cm. Če ni vode morate črpalko takoj izključiti tako, da izključite vtičnik iz vtičnice.
- Črpalka mora biti stabilno nameščena znotraj zbirnega rezervoarja vode ali vsekakor na najnižji točki prostora v katerem je instalirana.

- Predvidite minimalne mere zbirnega rezervoarja kot sledi:
Min. osnovna velikost. (mm) 150x150 / Min. višina (mm) 800 SI.2
- Velikost rezervoarja je vedno treba izbirati tudi glede na količino vode in na nosilnost črpalke, da bi preprečili prepogosto zaganjanje motorja/uro. Zelo se priporoča, da se ne prekorači 20 zagonov/uro.



Črpalke je treba namestiti pokončno!

7. PRIKLOP NA ELEKTRIKO



Dolžina napajalnega kabla črpalke omejuje največjo možno globino potopa pri uporabi same črpalke. Upoštevajte navodila na tehnični tablici in v 3. tabeli tega priročnika.

8. ZAGON

Elektronika avtomatično upravlja vklapljanje in izklapljanje (ON/OFF) črpalke glede na uporabnikovo potrebo po vodi. Elektronski sistem ščiti napeljavo, da ne bo delovala na suho.

- Faza črpanja: V fazi črpanja, črpalke izvrši štiri poizkuse v 30" (motor je ON), le-ti sledijo v pavzah od 3" (motor je OFF). Če ni vode se bo črpalke zaustavila za eno uro nato pa bo ponovno poizkusila črpati. Če ta poizkus ne bo uspel bo pavza postala od 5 ur, nato pa bo sistem ponovil poizkus črpanja vsakih 24 ur vse dokler ne bo nivo vode zadovoljiv, da bi se omogočilo normalno delovanje.
- Normalno delovanje: Če za časa delovanja od 40" sekund uporaba vode je pod minimalno nosilnostjo vode, bo črpalke stopila v alarm in se bo zaustavila za eno uro. Nato pa, če nivo vode ostane nezadovoljiv stopi črpalke v fazo črpanja. adescamento.

Elektronski sistem ščiti črpadlo pred poruchami spätného ventilu (NRV), ktoré sú obvykle spôsobené nánosmi nečistôt alebo piesku. Nánosy zabraňujú spätnému ventilu, aby sa zatvoril a systém pokračuje vo funkcii, aj pokiaľ chýba voda. V našom prípade sa čerpadlo každú hodinu vypne; za normálnych podmienok užívateľ zaznamená iba ľahký pokles tlaku v trvaní niekoľkých sekúnd. Pokiaľ sa ventil zablokuje, čerpadlo sa zablokuje v poplašnom stave a môže byť uvedené do funkcie, až po odstránení príčiny upchatia

Preverjanje pretoka:

Preverjanje pretoka izklopi črpalke, če ne pride do zajema vode. Če pušča zaradi sprememb v tlaku (npr. vodna pipa ali upogljiva cev, ki ne tesni), se črpalke vklaplja in izklaplja v kratkih intervalih. Če se črpalke vklopi in izklopi več kot 7 krat v 2 minutah (pri izgubi < 6l/h), se bo povsem izklopila. Ko odpravite puščanje zaradi spremembe tlaka odklopite in ponovno priklopite črpalke, da jo boste lahko ponovno uporabljali.

Ideálna prevádzková situácia je pri kompletne ponorenem čerpadle; chladiaci systém motora umožňuje krátkodobú funkciu až do minimálnej sacej výšky (50 mm).

Čerpadlo je opatrené filtrom na zachycovanie nečistôt z nerezovej oceľi

9. VARNOSTNI UKREPI

NEVARNOST ZMRZOVANJA: če črpalke ostane v mirovanju pri temperaturi, ki je nižja od 0°C, je treba preveriti, da ni ostankov vode, ki bi lahko, če bi zmrznila, poškodovala plastične delce.

Če se je črpalke uporabljala s snovmi, ki se rade posedajo ali s klorirano vodo, jo po uporabi splahnite z močnim vodnim curkom, da se ne bi naredila prevleka, ki bi poslabšala značilnosti črpalke.

10. ČIŠČENJE IN VZDRŽEVANJE

Med normalnim delovanjem električna črpalke ne potrebuje vzdrževanja. Celotno vzdrževanje in popravila se lahko izvaja le po izklopu črpalke iz napajalnega omrežja. Ob ponovnem zagonu črpalke preverite, da je vedo nameščen sesalni filter, da ne bi povzročili nevarnosti ali možnosti za stik z gibajočimi delci.

SLOVENŠČINA

10.1 Čiščenje sesalnega filtra

- Izklopite črpalko iz napajalnega omrežja.
- Izpraznite črpalko.
- Očistite s curkom vode in ščetko.

10.2 Čiščenje rotorja

- Izklopite črpalko iz napajalnega omrežja.
- Izpraznite črpalko.
- Odvijte 8 pritrditvenih vijakov na filterni podlagi sl. 3.
- Odstranite filterno podlago sl. 4
- Držite rotor in odvijte svornik sl.5
- Odstranite rotor, difuzor, prstan in o-ring.
- Ponovite za vse rotorje
- Operite črpalko s čisto vodo, da odstranite morebitne nečistoče med motorjem in ohišjem črpalke.
- Očistite rotor.
- Preverite, če se rotor lahko prosto vrti.
- Sestavite dele v obratnem vrstnem redu kot pri razstavljanju

10.3 Čiščenje nepovratnega ventila

(Sl.6)

- Izklopite črpalko iz napajalnega omrežja.
 - Odstranite ročico tako da odvijete dva pritrdilna vijaka sl. 6
 - Odvijte 6 vijakov na dovodnem pokrovu sl. 7
 - Izvlecite dovodni pokrov in filter proti pesku sl.8
 - Odstranite varnostni ventil in očistite morebitno nečistočo sl. 9
- Sestavite dele v obratnem vrstnem redu kot pri razstavljanju

11. ISKANJE OKVARE



Pred vyhľadávaním porúch vždy odpojte prívodný kábel od elektrickej siete (vytiahnite vidlicu prívodného kábla zo zásuvky). Ak zistíte nejaké poškodenie čerpadla alebo prívodného kábla, obráťte sa s opravou na výrobcu alebo na jeho autorizovaný servis alebo osobu s rovnakou kvalifikáciou, aby bolo zamedzené akémukolvek nebezpečenstvu.

Okvare	Kontrola (mogočih vzrokov)	Popravilo
Črpalka se ne prižge	A. Črpalka nima napajanja B. Nepovratni ventil (VNR) je odprt in blokiran C. Ni vode	A. Preverite napajanje. B. Očistite nepovratni ventil (VNR) C. Ponovno vzpostavite nivo vode
Črpalka ne črpa	A. Rešetka za vsesavanje ali cevi so zamašene. B. Turbina je izrabljena ali blokirana. A. Zahtevana sesalna višina je višja od značilnosti črpalke.	A. Odstranite ovire. B. Zamenjajte turbino ali deblokirajte.
Nosilnost je nezadovoljiva	A. Kontrolirajte, da ne bo rešetka za vsesavanje delno zamašena. B. Kontrolirajte, da turbina ali cevi niso delno zamašene ali prevlečene s skorjami.	A. Odstranite eventualne ovire. B. Odstranite eventualne ovire.
Črpalka se zaustavlja (mogoč poseg toplotnega samodejnega varnostnega stikala).	A. Kontrolirajte, da tekočina za črpanje ni preveč gosta, ker lahko povzroči pregrevanje motorja. B. Kontrolirajte, da ne bo previsoka temperatura vode. C. Kontrolirajte, da noben trd predmet ne blokira turbino. D. Napajanje ni v skladu s podatki tablice.	A.B.C.D. Izključite vtikač in odstranite vzrok, ki je povzročil pregrevanje. Počakajte, da se črpalka ohladi in ponovno vključite vtikač.

12. GARANCIJA



Vsi nepooblaščen posegi proizvajalca razbremenjujejo vsakršne odgovornosti. Vsi rezervni deli, ki se uporabljajo pri popravilu morajo biti originalni in vsi pripomočki morajo biti pooblaščen s strani proizvajalca, tako da slednji lahko zagotovi maksimalno varnost strojev in sistemov, na katere se ti lahko nameščajo.

Ta izdelek krije pravno jamstvo (v Evropski skupnosti 24 mesecev od dneva nakupa) za vse napake zaradi proizvodnih napak ali napak na uporabljenem materialu.

Izdelek pod garancijo bo lahko zamenjan z drugim, brezhibno delujočim,

ali brezplačno popravljen, če za to obstajajo sledeči pogoji:

- izdelek je bil rabljen ustrezno in v skladu z navodili ter ni prišlo do poskusa popravila s strani kupca ali tretjih oseb.
- izdelek je bil oddan na prodajnem mestu vključno z dokazilom o nakupu (račun ali blagajniški izpis) in krajšim opisom težave.

Rotor in delci, ki so podvrženi obrabi, niso vključeni v garancijo. Poseg pod garancijo le te ne podaljšuje.

TREGUESI I LËNDËS

1. ZBATIME.....	93
2. LËNGJE TË POMPUESHME.....	93
3. TË DHËNA TEKNIKE E KUFIZIME NË PËRDORIM	93
4. ADMINISTRIMI.....	94
4.1 Magazinimi	94
4.2 Transporti	94
4.3 Pesha e përmasat	94
5. PARALAJMËRIME	94
6. INSTALIMI.....	94
7. LIDHJA ELEKTRIKE	95
8. NDEZJA	95
9. MASA PARAPRAKE	95
10. MIRËMBAJTJA E PASTRIMI	95
10.1 Pastrimi i filtrit të thithjes.....	96
10.2 Pastrimi i rotorit.....	96
10.3 Pastrimi i NRV	96
11. KËRKIMI I DEFEKTEVE.....	96
12. GARANCIA	96

PARALAJMËRIME



Para se të vijoni me instalimin lexoni me vëmendje të gjithë dokumentacionin:



Para çdo ndërhyrjeje, hiqeni spinën. Shmangeni në mënyrën më absolute funksionimin në të thatë.



Mbrojtja nga mbingarkesa Pompa është e pajisur me një siguresë motori. Në rast të mbinxehjes së motorit, siguresa e motorit e fik pompën automatikisht. Koha e ftohjes është rreth 15-20 min. pas kësaj pompa rindizet automatikisht. Pas ndërhyrjes së siguresës së motorit është absolutisht e nevojshme të kërkohet shkaku e të eliminohet. Konsultoni Kërkimin e Defekteve.

1. ZBATIME

Pompë zhytëse shumëfazëshe me elektronikë të integruar ideale për përdorimin në sistemet e ujit të shiut dhe rrjetëve ujitëse për të pompuar ujë nga serbatorë, cisterna, liqene të vogla dhe për zbatime të tjera shtëpiake që kërkojnë tryzni të lartë.

Falë formës kompakte e të përdorshme gjejnë edhe zbatime të posaçme si pompa portative për raste emergjence si, thithja e ujit nga serbatorë ose lumenj, boshatisja e pishinave e shatërvanëve. E përshtatshme edhe për kopshtari e punë hobi në përgjithësi.



Këto pompa nuk mund të përdoren në pishina, pellgje, rezervuarë ku ka njerëz, dhe/ose për pompimin e hidrokarbureve (benzinë, naftë, vajra të djegshme, solventë, etj.) sipas normave ligjore kundër aksidenteve që janë në fuqi në këtë fushë. Para se t'i rivendosni, do të ishte rregull i mirë të parashikonit një fazë pastrimi. Shikoni kapitullin “Mirëmbajtja e Pastrimi”.

2. LËNGJE TË POMPUESHME

Ujëra të freskëta	•
Ujë shiu	•
Ujëra të bardha të shkarkimit	○
Ujëra të papastra	○
Ujë shatërvani	•
Ujë lumi ose liqeni	•
Përmasa e pjesëzave maksimumi [mm]	Ø 1

Tabelën 1

- I përshtatshëm
- I papërshtatshëm

3. TË DHËNA TEKNIKE E KUFIZIME NË PËRDORIM

- Tensioni i ushqimit: 220-240V, shikoni targën e të dhënave elektrike
- Siguresa të vonuara të linjës (versioni 220-240V): vlera indikative (Amperë)
- Temperatura e magazinimit: -10°C +40°C

Modello	Siguresa të linjës 220-240V 50Hz
P1=900	4
P1=1100	5

Tabelën 2

	Modeli	P1=900	P1=1100
Të dhëna elektrike	P1 Fuqia e thithur Nominale [W]	900	1100
	P2 [W]	650	750
	Voltazhi i rrjetit [V]	220-240 AC	220-240 AC
	Frekuenca e rrjetit [Hz]	50	50
	Korrenti [A]	3.8	4.8
	Kondensatori [μ F]	12.5	12.5
	Kondensatori [Vc]	450	450
Të dhëna hidraulike	Prurja maksimale [l/min]	95	95
	Rezistenca maksimale [m]	36	46
	Rezistenca maksimale [bar]	3.6	4.6
	Thellësia maks. e zhytjes [m]	12	12
	Lartësia minimale e zhytjes [cm]	12	12
	Trysnia e ndezjes [bar]	2.6+ 0.2	2.6+ 0.2
Fusha e përdorimit	Gjatësia e Kabllos së ushqimit [m]	15	15
	Lloji i kabllos	H07 RNF	H07 RNF
	Shkalla e mbrojtjes së motorit	IP 68	IP 68
	Klasa e izolimit	B	B
	Fusha e temperaturës së lëngut [°C] sipas EN 60335-2-41 për përdorim shtëpiak	0 °C / +35 °C	0 °C / +35 °C
	Përmasa e pjesëzave maksimumi [mm]	Ø 1	Ø 1
	Maks. Temperatura e mjedisit [°C]	+40 °C	+40 °C
Pesha	DNM GAS	1" F	1" F
	Pesha Neto/Bruto rreth [kg]	10.8/12.8	10 / 12

Tabela 3



Pompa që nuk mbështetet mbi një bazë nuk mund ta mbajë peshën e tubacioneve, të cilat duhet të mbahen ndryshe.

4. ADMINISTRIMI

4.1 Magazinimi

Të gjitha pompat duhet të magazinohen në një vend të mbuluar, të thatë e me lagështirë ajri mundësisht konstante, pa dridhje e pluhura. Jepen në ambalazhin e tyre origjinal ku duhet të rrinë deri në çastin e instalimit.

4.2 Transporti

Shmangini produktet nga goditjet e përplasjet e kota.

4.3 Pesha e përmasat

Targa ngjitëse e vendosur mbi ambalazh tregon peshën totale të elektropompës dhe përmasat e saj.

5. PARALAJMËRIME



Pompat kurrë nuk duhet të transportohen, të ngrihen ose të futen në punë kur janë pezull duke përdorur kablлон e ushqimit, duhet të përdorni dorezën e posaçme e litarin e dhënë si pajisje.

- Pompa nuk duhet të futet kurrë në punë në të thatë.
- Mekanizmi i mbajtjes përmban lubrifikant jo toksik, por që mund të ndryshojë karakteristikat e ujit, në rast se bëhet fjalë për ujë të pastër, në qoftë se pompa do të kishte rrjedhje.

6. INSTALIMI

Vidhoseni rakordin e filetuar me lidhjen që gjendet në ambalazh, që është përshtatur për tubacionet me përmasa ¾" e 1" në rast se do të dëshironit të përdorni një tubacion me diametër më të madh zëvendësojeni rakordin. Përveç kësaj përdorni një fashetë për shtrëngimin e tubit për ta fiksuar tubin me lidhjen. Fig.1

- Këshillohet përdorimi i tubacioneve me diametër të brendshëm minimumi prej ¾" mm, për të shmangur uljen e rendimentit të pompës.
- Për të shmangur bllokimin e kalimeve të thithjes, këshillohet të verifikoni periodikisht nëse në cisternën mbledhëse janë grumbulluar papastërti (gjethë, rërë, etj.). duhet të parashikohet një distancë minimale prej 20 cm me qëllim që të shmangen bllokime në rrjetin e thithjes (Fig.2).
- Futeni spinën e kabllos së ushqimit në një prizë korrenti prej 230 V.
- pompa duhet të ndizet vetëm kur është e zhytur në ujë. Konsideroni një lartësi zhytjeje minimale prej 12 cm. Nëse uji mbaron pompa duhet të fiket menjëherë duke e shkëputur nga priza elektrike.

SHQIP

- Pompa duhet të vendoset në një pozicion të qëndrueshëm brenda një cisterne mbledhëse ose gjithsesi në pikën më të ulët të zonës së instalimit.
- Parashikoni që cisterna mbledhëse të ketë përmasa minimale si vlerat e mëposhtme:
Përmasat bazë minimale. (mm) 150x150 / Lartësia min. (mm) 800 Fig 2
- Duhet të merren shpesh përmasat në cisternë lidhur me sasinë e ujit që mbrin në të dhe me atë të prur nga pompa, në mënyrë që motori të mos i nënshtrohet ndezjeve të tepërta/në orë, këshillohet rreptësisht të mos tejkalohen 20 ndezje/në orë.



Pompa duhet të instalohet në pozicion vertikal!

7. LIDHJA ELEKTRIKE



Gjatësia e kablos së ushqimit që gjendet tek pompa kufizon thellësinë maksimale të zhytjes në përdorimin e vetë pompës. Respektoni udhëzimet e shkruara në targën teknike e në këtë manual tabela 3.

8. NDEZJA

Mekanizmi elektronik e komandon automatikisht ndezjen dhe fikjen (ON/OFF) e pompës në funksionim të kërkesës për ujë nga ana e përdoruesit.

Mekanizmi elektronik e mbron aplikacionin nga funksionimi në të thatë.

- Faza e mbushjes: në fazën e mbushjes, pompa bën katër tentativa prej 30" (motori ON) të ndara nga pauza prej 3" (motori OFF). Në rast se mungon uji, pompa ndalon për një orë e më pas bën një tentativë të re bushjeje. Nëse kjo tentativë dështon, pauza bëhet prej 5 orësh, pra aplikacioni e përsërit tentativën e mbushjes çdo 24 orë derisa niveli i ujit të bëhet i mjaftueshëm për të lejuar funksionimin normal
- Funksionimi Normal: në qoftë se, gjatë funksionimit, për 40" konsumi i ujit është më i ulët se prurja minimale, pompa shkon në alarm e ndalon për 1 orë. Pas kësaj, në qoftë se niveli i ujit mbetet i pamjaftueshëm, pompa hyn në fazën e mbushjes

Mekanizmi elektronik e mbron pompën nga defektet tek Valvula e Moskthimit (NRV), zakonisht të shkaktuara nga koret me papastërti e me rërë. Koret e pengojnë valvulën e moskthimit që të mbyllet, pra aplikacioni vazhdon të funksionojë edhe në mungesë të ujit. Në rastin tonë, pompa fiket automatikisht çdo orë; nëse gjithçka është normale, përdoruesi vëren vetëm një ulje shumë të lehtë të trysnisë që zgjat pak sekonda. Përkundrazi, nëse NRV (valvula e moskthimit) është bllokuar, pompa shkon në alarm e mund të rifutet në funksionim vetëm pasi të eliminohen shkaqet e bllokimit.

Kontrolli i prurjes:

Kontrolli i prurjes e aktivizon pompën në rast se nuk merret ujë. Në rast se ka rrjedhje nga ana e trysnisë (p.sh. rubineti i ujit ose tubi fleksibël që nuk është i papërshkueshëm), pompa ndizet e fiket me intervale të shkurtra kohore. Në qoftë se pompa ndizet e fiket më shumë se 7 herë në 2 minuta (në rast rrjedhjeje < 6 l/h), kjo do të fiket krejtësisht. Pasi eliminohet rrjedhja nga ana e trysnisë, hiqeni dhe vëreni pompën me qëllim që të jetë e mundur të përdoret sërish.

Situata ideale e punës është me pompën e zhytur tërësisht; megjithatë sistemi i ftohjes së motorit lejon, për periudha të shkurtra, përdorimin deri në lartësinë minimale të thithjes (50 mm).

Pompa është e pajisur me një filtër kundër depozitimeve të prodhuar me çelik inoksidabël.

9. MASA PARAPRAKE

RREZIK NGRIRJEJE: kur pompa mbetet e pandezur në temperaturë më të ulët se 0°C, duhet të siguroheni që të mos ketë mbetje ujore, e cila duke ngrirë mund të krijojë kriza në pjesët plastike.

Në qoftë se pompa është përdorur me lëndë që anojnë të depozitohen, ose me ujë të kloruar shpëljajeni pas përdorimit, me një hedhje uji të fuqishme në mënyrë që të shmanget formimi i depozitimeve ose i koreve që do t'i reduktonin karakteristikat e pompës.

10. MIRËMBAJTJA E PASTRIMI

Elektropompa gjatë funksionimit normal nuk kërkon asnjë lloj mirëmbajtjeje. Në çdo rast, të gjitha ndërhyrjet e riparimit dhe mirëmbajtjes duhet të kruhen vetëm pasi ta keni shkëputur pompën nga rrjeti i ushqimit me energji elektrike. Kur e ndizni përsëri pompën, sigurohuni që të jetë gjithnjë i montuar filtri i thithjes në mënyrë që të mos krijohet rrezik ose mundësi për kontakt rastësor me pjesët në lëvizje.

SHQIP

10.1 Pastrimi i filtrit të thithjes

- Shkëputeni ushqimin elektrik nga pompa.
- Bëni drenazhin e pompës
- Pastrojeni me hedhje uji e një furçë

10.2 Pastrimi i rotorit

- Shkëputeni ushqimin elektrik nga pompa.
- Bëni drenazhin e pompës
- Zhvidhosni 8 vidhat e mbërthimit në bazë të filtrit fig.3.
- Hiqeni bazën dhe filtrin fig.4
- Duke e mbajtur rotorin zhvidhoseni dadon fig.5
- Hiqeni rotorin, shpërndarësin, unazën dhe guarnicionin o-ring.
- Përsëriteni për të gjithë rotorët
- Lajeni pompën me ujë të pastër për të hequr papastërti të mundshme midis motorit e këmishës së pompës.
- Pastroni rotorin.
- Verifikoni nëse rotorin mund të rrotullohet lirisht.
- Montoni pjesët në drejtimin e kundërt me sekuencën e çmontimit

10.3 Pastrimi i NRV

(Fig.6)

- Shkëputeni ushqimin elektrik nga pompa..
- Hiqeni dorezën duke i zhvidhosur dy vidhat e mbërthimit fig 6
- Zhvidhosni 6 vidhat mbi kapakun e daljes fig. 7
- Hiqeni kapakun e daljes dhe filtrin kundër rërës fig. 8
- Hiqeni valvulën e moskthimit e pastrojeni nga papastërti të mundshme fig. 9

Montojini pjesët në drejtimin e kundërt me sekuencën e çmontimit

11. KËRKIMI I DEFEKTEVE



Para se të filloni kërkimin e defekteve është nevojshme ta ndërprisni lidhjen elektrike të pompës (hiqeni spinën nga priza). Nëse kabloja e ushqimit ose pompa në çdo pjesë të saj elektrike është e dëmtuar, ndërhyrja e riparimit ose e zëvendësimit duhet të kryhet nga Ndërtuesi, ose nga shërbimi i tij i asistencës teknike, ose nga një person me kualifikimin e barasvlershëm në mënyrë që të parandalohet çdo rrezik.

Defekte	Shkaqe	Rregullime
Pompa nuk ndizet	A. Pompa nuk ushqehet me energji B. VNR e bllokuar në pozicion të hapur C. Mungesë uji	A. Verifikoni ushqimin. B. Pastrojeni VNR C. Rivendosni nivelin e ujit
Pompa nuk nxjerr ujë	A. Rrjeta e thithjes ose tubacionet janë të bllokuara. B. Rotori është i konsumuar ose i bllokuar. C. Rezistenca e kërkuar është më e madhe se karakteristikat e pompës.	A. Hiqni bllokimet B. Zëvendësojeni rotorin ose hiqni bllokimin.
Prurja është e pamjaftueshme	A. Rrjeta e thithjes është e bllokuar pjesërisht. B. Rotori ose tubi i daljes së ujit janë pjesërisht të bllokuar ose me kore.	A. Hiqni bllokimet e mundshme. B. Hiqni bllokimet e mundshme.
Pompa ndalon (ndërhyrje e mundshme e çelësit termik të sigurisë).	A. Lëngu për t'u pompuar është tepër i trashë dhe mbinxeh motorin. B. Temperatura e ujit është tepër e lartë. C. Një trup i ngurtë bllokton rotorin. D. Ushqimi jo në përputhje me të dhënat e targës.	A.B.C.D. Hiqeni spinën dhe eliminoni shkakun që shkaktoi mbinxehjen, prisni ftohjen e pompës dhe rifuteni spinën.

12. GARANCIA



Çdo ndryshim i paautorizuar paraprakisht, i heq ndërtuesit çdo lloj përgjegjësie. Të gjitha pjesët e këmbimit të përdorura për riparimet duhet të jenë origjinale e të gjithë aksesorët duhet të autorizohen nga ndërtuesi, në mënyrë që të garantohet siguria maksimale e makinave dhe e impianteve mbi të cilat këto mund të montohen.

Ky produkt mbulohet nga garancia ligjore (në Komunitetin Evropian për 24 muaj nga data e blerjes) përse i përket të gjitha defekteve që i vishen problemeve të fabrikimit ose të materialit të përdorur.

Produkti në garanci, sipas dëshirës, mund të zëvendësohet me një tjetër në gjendje të përkryer funksionimi, ose të riparohet falas kur respektohen kushtet e mëposhtme:

- produkti është përdorur në mënyrë korrekte e në pajtim me udhëzimet e asnjë tentativë riparimi nuk është bërë nga blerësi ose nga të tretë.
- produkti është dorëzuar në pikëshitjen ku është blerë, duke bashkëlidhur dokumentin që vërteton blerjen (faturën ose kuponin tatimor) e një përshkrim të shkurtër të problemit të hasur.

Rotori e pjesët që konsumohen, nuk hyjnë në garanci. Ndërhyrja në garanci nuk përfshin në asnjë rast periudhën fillestare.

SADRŽAJ

1. PRIMENE	97
2. TEČNOSTI KOJE SE MOGU PUMPATI	97
3. TEHNIČKI PODACI I OGRANIČENJA UPOTREBE	97
4. UPRAVLJANJE	98
4.1 Skladištenje	98
4.2 Transport	98
4.3 Težina i dimenzije	98
5. UPOZORENJA	98
6. INSTALACIJA	98
7. ELEKTRIČNO PRIKLJUČIVANJE	99
8. POKRETANJE	99
9. MERE PREDOSTROŽNOSTI	99
10. ODRŽAVANJE I ČIŠĆENJE	99
10.1 Čišćenje usisnog filtera	100
10.2 Čišćenje rotora	100
10.3 Čišćenje nepovratnog ventila (NRV)	100
11. TRAŽENJE KVAROVA	100
12. GARANCIJA	100

UPOZORENJA



Pre nego što počnete instalaciju pažljivo pročitajte svu dokumentaciju



Pre svake intervencije iskopčajte utikač iz utičnice. Apsolutno izbegavajte rad na suvo.



Zaštita od preopterećenja. Pumpa je opremljena uređajem za termičku zaštitu motora. U slučaju eventualnog pregrevavanja motora, uređaj za zaštitu motora automatski isključuje pumpu. Vreme hlađenja je otprilike 15-20 min. Posle tog vremena, pumpa se automatski ponovo uključuje. Nakon intervencije uređaja za zaštitu motora apsolutno je potrebno utvrditi njen uzrok i ukloniti ga. Pogledajte poglavlje Traženje kvara.

1. PRIMENE

Višestepena potapajuća pumpa sa integrisanom elektronikom idealna je za upotrebu u sistemima sa kišnicom i mrežama navodnjavanja, za pumpanje vode iz rezervoara, cisterni i jezeraca za druge kućne upotrebe koje zahtevaju visoki pritisak.

Zahvaljujući svom kompaktnom obliku, pogodnom za rukovanje, ove pumpe imaju i posebnu primenu kao prenosive pumpe u slučajevima nužde kao što su preuzimanje vode iz rezervoara ili reka, pražnjenje bazena i fontana. Pogodne su i za baštovanstvo i hobije u opštem smislu.



Ove pumpe mogu da se koriste u bazenima, jezercima, slivovima uz prisustvo ljudi i/ili za pumpanje ugljovodonika (benzina, dizel goriva, ulja koja se koriste kao gorivo, rastvarača, itd), prema važećim propisima o zaštiti na radu. Pre odlaganja, dobro je predvideti jednu fazu čišćenja. Pogledajte poglavlje "Održavanje i čišćenje".

2. TEČNOSTI KOJE SE MOGU PUMPATI

Sveža voda	•
Kišnica	•
Čista otpadna voda	○
Priljava voda	○
Voda iz fontane	•
Voda iz reka ili jezera	•
Maks. dimenzija čestica [mm]	Ø 1

- Pogodna
- Nepogodna

Cto 1

3. TEHNIČKI PODACI I OGRANIČENJA UPOTREBE

- **Napon napajanja: 220-240V**, pogledajte pločicu s električnim podacima
- **Tromi linijski osigurači (verzija 220-240V):** indikativne vrednosti (u amperima)

Model	Linijski osigurači 220-240V 50 Hz
P1=900	4
P1=1100	5

Cto 2

SRPSKI

- **Temperatura skladištenja:** -10°C +40°C

	Model	P1=900	P1=1100
Električni podaci	P1 Nominalna apsorbovana snaga [W]	900	1100
	P2 [W]	650	750
	Mrežni napon [V]	220-240 AC	220-240 AC
	Mrežna frekvencija [Hz]	50	50
	Struja [A]	3.8	4.8
	Kondenzator [µF]	12.5	12.5
	Kondenzator [Vc]	450	450
Hidraulični podaci	Maks. protok [l/min]	95	95
	Maks. napor vodenog stuba [m]	36	46
	Maks. napor vodenog stuba [bar]	3.6	4.6
	Maks. dubina potapanja [m]	12	12
	Min. dubina potapanja [cm]	12	12
	Pritisak uključanja [bar]	2.6+ 0.2	2.6+ 0.2
Polje upotrebe	Dužina kabla za napajanje [m]	15	15
	Vrsta kabla	H07 RNF	H07 RNF
	Stepen IP zaštite motora	IP 68	IP 68
	Klasa izolacije	B	B
	Polje temperature tečnosti [°C] prema standardu EN 60335-2-41 za upotrebu u domaćinstvu	0 °C / +35 °C	0 °C / +35 °C
	Maks. dimenzija čestica [mm]	Ø 1	Ø 1
	Maks. temperatura ambijenta [°C]	+40 °C	+40 °C
Težina	DNM GAS	1" F	1" F
	Neto/bruto težina cca [kg]	10.8/12.8	10 / 12

Cto 3



Pumpa koja se ne oslanja na jednu podlogu ne može da podnese težinu cevi koje se u tom slučaju moraju podržati na drugi način.

4. UPRAVLJANJE

4.1 Skladištenje

Sve pumpe moraju da budu skladištene u zatvorenoj, suvoj prostoriji, bez vibracija i prašine, u kojoj vlažnost vazduha po mogućnosti ima stalnu vrednost. Pumpe se isporučuju u svojoj originalnoj ambalaži u kojoj moraju ostati do momenta instalacije.

4.2 Transport

Izbegavajte nepotrebne udare i sudare proizvoda.

4.3 Težina i dimenzije

Na ambalaži se nalazi nalepnica sa oznakom ukupne težine i dimenzija pumpe.

5. UPOZORENJA



Pumpe se nikad ne smeju prevoziti, podizati ili puštati u rad obešene za kabl za napajanje. Koristite odgovarajuću ručku i užu koji su deo opreme.

- Pumpa ne sme nikad da radi na suvo.
- Zaptivka sadrži neotrovno mazivo, ali ono može da promeni osobine vode, u slučaju da se radi o čistoj vodi, ako postoji curenje iz pumpe.

6. INSTALACIJA

Zavijte spoj sa priključkom koji se nalazi u ambalaži i koji odgovara cevima dimenzija ¾" i 1". Ako želite da koristite cevi sa većim promerom, zamenite kolenasti priključak. Osim toga koristite i obujmicu za cev da biste pričvrstili cev za priključak. Fig.1

- Preporučuje se upotreba cevi sa minimalnim unutrašnjim promerom od ¾" da bi se izbeglo smanjenje performanse pumpe.
- Da bi se izbeglo začepljenje usisnih prolaza, preporučujemo da periodično proverite da se u cisternama za skupljanje vode nije nakupila prljavština (lišće, pesak, itd.). Potrebno je predvideti minimalnu udaljenost od 20 cm kako bi se izbeglo začepljenje na usisnoj rešetki (Sl. 2).
- Uključite utikač kabla za napajanje u 230 V utičnicu.

- Pumpa mora da se aktivira samo ako je potopljena u vodu. Uzmite u obzir minimalno potapanje od 12 cm. Ako dođe do nedostatka vode, pumpa se mora odmah zaustaviti tako što ćete iskopčati utikač iz električne utičnice.
- Pumpa mora da se postavi na stabilan položaj u unutrašnjosti cisterne za skupljanje vode ili u svakom slučaju na najnižem mestu u prostoriji za instalaciju.
- Predvidite da cisterna kućišta ima minimalne dimenzije prema sledećim vrednostima:
Min. dimenzije osnove. (mm) 150x150 / Min. visina. (mm) 800 Fig 2
- Cisterna mora uvek da bude odgovarajuće dimenzije i zavisno od količine vode koja pristiže i od kapaciteta protoka pumpe da motori ne bi bili podvrgnuti preteranim pokretanjima/sat. Izričito se preporučuje da broj pokretanja ne pređe 20 pokretanja/sat.



Pumpa mora da bude instalirana u uspravnom položaju!

7. ELEKTRIČNO PRIKLJUČIVANJE



Dužina kablja za napajanje prisutnog na pumpi ograničava maksimalnu dubinu potapanja kod korišćenja same pumpe. Pridržavajte se uputstava navedenih na tehničkoj pločici i u ovom priručniku, tabela 3.

8. POKRETANJE

Elektronika automatski upravlja uključivanjem i isključivanjem (ON/OFF) pumpe zavisno od količine vode koju zahteva korisnik.

Elektronika štiti uređaj od rada na suvo.

- Faza početnog usisavanja: u fazi početnog usisavanja, pumpa vrši četiri pokušaja od 30" (motor na ON) sa pauzama od 3" (motor na OFF). U slučaju nedostatka vode, pumpa se zaustavlja sat vremena i posle toga ponovo vrši pokušaj početnog usisavanja. Ako taj pokušaj ne uspe, dolazi do pauze od 5 sati i posle toga se ponavlja pokušaj početnog usisavanja svaka 24 sata dok nivo vode ne postane dovoljan za normalan rad.
- Normalan rad: ako je za vreme rada, u vremenu od 40", potrošnja vode niža od minimalnog protoka, pumpa se postavlja u alarmno stanje i zaustavlja sat vremena. Posle toga, ako nivo vode ostane nedovoljan pumpa ulazi u fazu početnog usisavanja.

Elektronika štiti pumpu od kvarova na nepovratnom ventilu (NRV), koji obično nastaju zbog naslaga prljavštine ili peska. Naslage sprečavaju zatvaranje nepovratnog ventila (NRV) i pumpa nastavlja sa radom čak i kad nema vode. U našem slučaju, pumpa se automatski isključuje svaki sat; ako je stanje normalno, korisnik primećuje samo vrlo mali pad pritiska koji traje nekoliko sekundi. Međutim, ako je nepovratni ventil (NRV) blokiran, pumpa prelazi u alarmno stanje i može da se ponovno pusti u rad samo nakon što su se uklonili uzroci zapreke.

Kontrola protoka:

Kontrola protoka deaktivira pumpu u slučaju nedostatka uzimanja vode. Ako postoje gubici pritiska (npr. slavina vode ili fleksibilna cev nisu nepropusne), pumpa se uključuje i isključuje u kratkim vremenskim intervalima. Ako se pumpa uključi i isključi više od 7 puta u 2 minuta (u slučaju curenja < 6 l/h), ona će se potpuno isključiti. Kad se ukloni gubitak pritiska, isključite i ponovo uključite pumpu da bi se omogućila njena ponovna upotreba.

Idealna radna situacija je sa pumpom koja je potpuno potopljena; međutim, sistem hlađenja motora omogućava, u kratkim vremenskim periodima, upotrebu do minimalne visine usisavanja (50 mm).

Pumpa je opremljena filterom protiv otpadaka od nerđajućeg čelika.

9. MERE PREDOSTROŽNOSTI

OPASNOST OD ZAMRZAVANJA: kad pumpa ostane neaktivna na temperaturi nižoj od 0°C, treba proveriti da nema preostale vode koja bi mogla da se zamrzne i dovede do stvaranja pukotina na plastičnim delovima.

Ako je pumpa korištena sa supstancama koje se polažu, ili sa hlorisanom vodom, nakon upotrebe isperite je snažnim mlazom vode da bi se izbeglo stvaranje naslaga koji bi mogle da umanje karakteristike pumpe.

10. ODRŽAVANJE I ČIŠĆENJE

Prilikom normalnog rada električne pumpe, nema potrebe za bilo kakvim održavanjem. U svakom slučaju sve intervencije popravki i održavanja moraju se vršiti samo nakon što se pumpa iskopča sa mreže napajanja. Kad se pumpa ponovo pokrene, uverite se da je uvek montiran usisni filter da se ne bi stvorila opasnost ili mogućnost slučajnog kontakta s delovima u pokretu.

10.1 Čišćenje usisnog filtera

- Prekinite električno napajanje pumpe.
- Izvršite drenažu pumpe
- Očistite mlazom vode i četkom.

10.2 Čišćenje rotora

- Prekinite električno napajanje pumpe.
- Izvršite drenažu pumpe
- Odvijte 8 pričvrtnih vijaka na osnovi filtera, sl. 3.
- Uklonite osnovu i filter, sl. 4.
- Držeći rotor, odvijte maticu, sl. 5.
- Izvucite rotor, difuzor, prsten i o-ring.
- Ponovite postupak za sve rotore.
- Operite pumpu čistom vodom da biste uklonili moguće nečistoće između motora i košuljice pumpe.
- Očistite rotor.
- Proverite da li se rotor slobodno okreće.
- Sklopite delove obrnutim redosledom u odnosu na rasklapanje.

10.3 Čišćenje nepovratnog ventila (NRV)**(SI.6)**

- Prekinite električno napajanje pumpe.
- Skinite ručku odvijajući dva pričvrtna vijka, sl. 6.
- Odvijte 6 vijaka na potisnom poklopcu, sl. 7.
- Izvucite potisni poklopac i filter za pesak, sl. 8.
- Skinite zaporni ventil i očistite ga od eventualne prljavštine, sl. 9. Sklopite delove obrnutim redosledom u odnosu na rasklapanje.

11. TRAŽENJE KVAROVA

Pre nego što počnete sa traženjem kvarova, potrebno je prekinuti električno povezivanje pumpe (izvucite utikač iz utičnice). Ako postoji oštećenje na bilo kojem električnom delu napojnog kabla ili pumpe, intervenciju popravke ili zamene mora da vrši proizvođač ili njegova tehnička servisna služba ili osoba sa sličnom kvalifikacijom da bi se sprečila pojava bilo kakvog rizika.

Kvarovi	Uzroci	Rešenja
Pumpa se ne uključuje.	A. Pumpa se ne napaja električnom strujom. B. Nepovratni ventil je blokiran u otvorenom položaju. C. Nedostatak vode	A. Proverite napajanje. B. Očistite nepovratni ventil. C. Uspostavite nivo vode.
Pumpa ne izbacuje vodu.	A. Usisna rešetka ili cevi su blokirane. B. Rotor je istrošen ili blokiran. C. Traženi napor vodenog stuba je viši od karakteristika pumpe.	A. Uklonite zapreke. B. Zamenite rotor ili uklonite zapreku.
Protok je nedovoljan.	A. Usisna rešetka je delimično blokirana. B. Rotor ili potisna cev su delimično blokirani ili prekriveni naslagama.	A. Uklonite eventualne zapreke. B. Uklonite eventualne zapreke.
Pumpa se zaustavlja (moguća intervencija termičkog sigurnosnog prekidača).	A. Tekućina koja treba da se pumpa je previše gusta i uzrokuje pregrejavanje motora. B. Temperatura vode je previsoka. C. Čvrsto telo blokira rotor. D. Napajanje nije u skladu sa podacima na pločici.	A.B.C.D. Izvucite utikač iz utičnice i uklonite uzrok pregrejavanja, sačekajte da se pumpa ohladi i ponovo uključite utikač u utičnicu.

12. GARANCIJA

Bilo kakva promena koja nije prethodno ovlašćena, oslobađa proizvođača od bilo kakve odgovornosti. Svi rezervni delovi korišćeni u popravkama moraju da budu originalni i sva dodatna oprema mora da bude ovlašćena od strane proizvođača da bi se mogla garantovati maksimalna bezbednost mašina i postrojenja na kojima one mogu da budu montirane.

Ovaj proizvod pokriven je legalnom garancijom (u Evropskoj zajednici rok je 24 meseca od datuma kupovine) koja se odnosi na sve defekte nastale greškama u proizvodnji ili zbog korištenog materijala.

Proizvod u garantnom roku može da bude, prema potrebi, zamenjen proizvodom u savršenom radnom stanju ili besplatno popravljen ako se poštuju sledeći uslovi:

- proizvod je korišten na pravilan način i u skladu sa uputstvima i kupac ili treće osobe nisu pokušali da ga poprave ni na koji način;
- proizvod je predat prodajnom mjestu, uz prilog dokumenta koji potvrđuje njegovu kupovinu (faktura ili fiskalni račun) i kratkog opisa problema.

Rotor i delovi podložni trošenju nisu pokriveni garancijom. Intervencija u garantnom roku ni u kom slučaju ne produžuje početni period.

INNEHÅLLSFÖRTECKNING

1. ANVÄNDNINGSSOMRÅDEN	101
2. VÄTSKOR SOM KAN PUMPAS.....	101
3. TEKNISKA DATA OCH ANVÄNDNINGSBEGRÄNSNINGAR	101
4. HANTERING	102
4.1 Förvaring	102
4.2 Transport.....	102
4.3 Vikt och mått.....	102
5. SÄKERHETSFÖRESKRIFTER	102
6. INSTALLATION	102
7. ELANSLUTNING.....	103
8. START.....	103
9. FÖRSIKTIGHETSÅTGÄRDER	103
10. UNDERHÅLL OCH RENGÖRING	103
10.1 Rengöring av insugningsfiltret	104
10.2 Rengöring av rotor.....	104
10.3 Rengöring av backventil	104
11. FELSÖKNING	104
12. GARANTI	104

VARNINGSFÖRESKRIFTER



Läs hela bruksanvisningen noggrant före installationen:



Dra alltid ut stickkontakten ur eluttaget före ingrepp på pumpen. Torrkörning är förbjuden



Överbelastningsskydd. Pumpen är utrustad med en termosäkring. Om motorn blir överhettad stänger termosäkringen av pumpen automatiskt. Det tar ca. 15 - 20 min. för pumpen att svalna och därefter startar den igen automatiskt. Om termosäkringen löser ut måste du ta reda på orsaken till detta och åtgärda felet. Konsultera felsökningstabellen.

1. ANVÄNDNINGSSOMRÅDEN

Dränkbar flerstegspump med inbyggd elektronik. Idealisk för användning i uppsamlingsystem för regnvatten och bevattningsnät, pumpning av vatten från behållare, cisterner och dammar samt annat hushållsbruk som kräver ett högt tryck.

Tack vare pumparnas kompakta och lätthanterliga utformning går de även att använda som nödpumpar för transportabel användning som t.ex. för tappning av vatten från behållare och vattendrag, tömning av bassänger och fontäner. Lämpar sig även för trädgårds- och hobbybruk.



Dessa pumpar kan inte användas i simbassänger, dammar, bassänger i närvaro av personer eller för pumpning av kolväte (bensin, diesel, eldningsolja, lösningsmedel o.s.v.) i enlighet med gällande olycksförebyggande standard. Rengör dem gärna före avställningen. Se kapitel Underhåll och rengöring.

2. VÄTSKOR SOM KAN PUMPAS

Rent vatten	•
Dagvatten	•
Spillvatten	○
Smutsigt vatten	○
Fontänvatten	•
Flod- eller sjövattnet	•
Max. kornstorlek [mm]	Ø 1

Tabell 1

- Lämplig
- Ej lämplig

3. TEKNISKA DATA OCH ANVÄNDNINGSBEGRÄNSNINGAR

- **Matningsspänning: 220-240V**, Se märkplåten över elektriska data
- **Fusibili di linea ritardati (220-240V versionen):** Ungefärliga värden (Ampere)
- **Förvaringstemperatur: -10°C +40°C**

Modell	Säkringar för elledning 220-240V 50Hz
P1=900	4
P1=1100	5

Tabell 2

SVENSKA

	Modell	P1=900	P1=1100
Elektriska data	P1 Nominell effektförbrukning [W]	900	1100
	P2 [W]	650	750
	Nätspänning [V]	220-240 AC	220-240 AC
	Nätfrekvens [Hz]	50	50
	Ström [A]	3.8	4.8
	Kondensator [µF]	12.5	12.5
	Kondensator [Vc]	450	450
Hydrauliska data	Max. flöde [L/min]	95	95
	Max. uppfordringshöjd [m]	36	46
	Max. uppfordringshöjd [bar]	3.6	4.6
	Max. nedsänkingsdjup [m]	12	12
	Min. nedsänkingsdjup [cm]	12	12
	Starttryck [bar]	2.6+- 0.2	2.6+- 0.2
Användningsområde	Nätkabelns längd [m]	15	15
	Typ av kabel	H07 RNF	H07 RNF
	Skyddsgrad för motor	IP 68	IP 68
	Isoleringsklass	B	B
	Temperaturområde för vätska [°C] enligt SS-EN 60335-2-41 för hushållsbruk	0 °C / +35 °C	0 °C / +35 °C
	Max. kornstorlek [mm]	Ø 1	Ø 1
	Max. omgivningstemperatur [°C]	+40 °C	+40 °C
Vikt	DNM GAS	1" F	1" F
	Ungefärlig netto-/bruttovikt [kg]	10.8/12.8	10 / 12

Tabell 3



Pumpen som inte är försedd med någon stödbas klarar inte rörens vikt. Rören måste därför stödjas på annat sätt.

4. HANTERING

4.1 Förvaring

Alla pumpar måste förvaras på en plats som är övertäckt, torr och med så konstant luftfuktighet som möjligt, samt fri från vibrationer och damm. Pumparna levereras i sina originalemballage, där de ska förvaras fram till installationstillfället.

4.2 Transport

Undvik att utsätta produkterna för onödiga stötar och kollisioner..

4.3 Vikt och mått

Klistermärket på emballaget anger elpumpens totala vikt och mått.

5. SÄKERHETSFÖRESKRIFTER



Pumparna får aldrig transporteras, lyftas eller startas hängandes i nätkabeln. Använd det därtill avsedda handtaget och vajern som medföljer.

- Pumpen får aldrig torrköras.
- Tätningssammansättningen innehåller smörjmedel som inte är giftigt men som kan förändra vattnets karakteristik (då vattnet är rent) om pumpen skulle läcka.

6. INSTALLATION

Skruva fast nippeln med kopplingen som medföljer i emballaget och är avsedd för ¾" och 1" rörledning. Byt ut kopplingen om du vill använda en rörledning med större diameter. Använd dessutom en slangklämma för att fästa röret vid kopplingen. Fig. 1

- Det rekommenderas att använda rörledningar som har en innerdiameter på min. ¾" mm för att undvika att pumpens kapacitet försämras.
- Undvik att insugen blir igensatta genom att regelbundet kontrollera att det inte har ansamlats smuts (löv, sand o.s.v.) i cisternen. Upprätthåll ett min. avstånd på 20 cm för att undvika att insugningsgallret (fig. 2) sätts igen.
- Sätt i nätkabelns stickkontakt i ett 230 V eluttag.
- Pumpen får endast startas när den är nedsänkt i vattnet. Min. nedsänkingsdjup är 12 cm.. Om vattnet tar slut måste pumpen omedelbart stängas av genom att stickkontakten dras ut ur eluttaget.
- Pumpen ska placeras på ett stabilt underlag i cisternen eller på den lägsta punkten på installationsplatsen.
- Kontrollera att cisternen har de min. mått som framgår av följande värden:

Basmått min. (mm) 150x150 / Höjd min. (mm) 800 Fig 2

- Cisternen måste alltid dimensioneras i förhållande till mängden inloppsvatten och pumpens kapacitet, så att motorn inte måste starta ett överdrivet antal gånger per timme. Det rekommenderas å det bestämdaste att inte överskrida 20 starter per timme.



Pumpen ska installeras vertikalt!

7. ELANSLUTNING



Längden på elpumpens nätkabel bestämmer max. nedsänkingsdjup vid användningen av elpumpen. Följ anvisningarna på märkplåten och i denna bruksanvisning (tabell 3).

8. START

Elektroniken styr automatiskt starten och stoppet (ON/OFF) av pumpen beroende på vilket vattenflöde som användaren efterfrågar.

Den elektroniska styrenheten skyddar pumpen mot torrkörning.

- Fyllning: Pumpen utför fyra 30 sekunders startförsök (motor PÅ) med 3 sekunders pausintervall (motor AV) i samband med fyllningen. Om det saknas vatten står pumpen stilla i 1 timme och gör sedan ett nytt fyllningsförsök. Om försöket misslyckas blir pausen 5 timmar. Pumpen upprepar sedan fyllningsförsöket en gång per dygn tills vattennivån är tillräckligt hög för att medge normalt funktionssätt.
- Normalt funktionssätt: Om vattenförbrukningen är lägre än min. kapacitet i 40 sekunder under funktionen, sätts pumpen i larmläge och står stilla i 1 timme. Därefter börjar pumpen fyllningen om vattennivån fortfarande är otillräcklig.

Den elektroniska styrenheten skyddar pumpen mot fel på backventilen som normalt orsakas av smuts- eller sandavlagringar. Avlagringarna hindrar backventilen från att stängas och pumpen fortsätter därför att gå även när det saknas vatten. I vårt fall stängs pumpen av automatiskt varje timme. Det sker bara ett lätt tryckfall i några få sekunder om allt fungerar som det ska. Om backventilen däremot är blockerad sätts pumpen i larmläge och går att starta först när orsaken till igensättningen har åtgärdats.

Flödeskontroll:

Flödeskontrollen stänger av pumpen i händelse av utebliven pumpning av vatten. Om det förekommer läckage på trycksidan (t.ex. läckande vattenkran eller slang) startas och stoppas pumpen med korta tidsintervall. Om pumpen startas och stoppas över sju gånger på 2 minuter (vid läckage < 6 L/tim) stängs pumpen av helt. När läckaget på trycksidan har åtgärdats ska pumpen slås från och till ända tills den kan användas på nytt.

Det idealiska funktionssättet är när pumpen är helt nedsänkt. Motorns kylsystem gör dock att pumpen kortare stunder kan fungera vid min. sughöjd (50 mm).

Pumpen är utrustad med ett smutsfilter av rostfritt stål.

9. FÖRSIKTIGHETSÅTGÄRDER

FROSTRISK: När pumpen står oanvänd vid en temperatur under 0 °C är det nödvändigt att försäkra sig om att det inte finns något vatten kvar i pumpen som kan skapa sprickor i plastkomponenterna när vattnet fryser.

Om pumpen används med ämnen som har en tendens att ge avlagringar, eller med klorerat vatten, ska pumpen spolas av med en kraftig vattenstråle efter användning för att undvika att avlagringar och förhårdnader bildas som kan reducera pumpens prestanda.

10. UNDERHÅLL OCH RENGÖRING

Elpumpen kräver inget underhåll vid normal användning. Pumpen ska alltid frånkopplas från eltillförseln vid alla reparationer och underhåll. Kontrollera alltid att insugningsfitret är monterat när pumpen startas om för att inte orsaka fara eller risk för kontakt med delar i rörelse

10.1 Rengöring av insugningsfiltret

- Frånkoppla pumpen från eltilförseln.
- Töm pumpen.
- Rengör med en vattenstråle och en borste

10.2 Rengöring av rotor

- Frånkoppla pumpen från eltilförseln.
- Töm pumpen.
- Skruva loss de åtta fästskruvarna på filterbasen (fig. 3).
- Ta bort basen och filtret (fig. 4).
- Håll i rotorn och skruva loss muttern (fig. 5).
- Dra ut rotorn, diffusören, ringen och o-ringen.
- Upprepa proceduren för samtliga rotor.
- Rengör pumpen med rent vatten för att ta bort ev. orenheter mellan motorn och pumpens mantel.
- Rengör rotorn.
- Kontrollera att rotorn kan rotera obehindrat.
- Montera delarna i omvänd ordning mot demonteringen.

10.3 Rengöring av backventil

(Fig.6)

- Frånkoppla pumpen från eltilförseln.
- Ta bort handtaget genom att skruva loss de två fästskruvarna (fig. 6).
- Skruva loss de sex skruvarna på utloppslocket (fig. 7).
- Dra ut utloppslocket och sandfiltret (fig. 8).
- Ta bort backventilen och rengör den från ev. smuts (fig. 9).
Montera delarna i omvänd ordning mot nedmonteringssekvensen.

11. FELSÖKNING



Innan felsökningen påbörjas måste du koppla bort pumpens elanslutning (dra ut stickkontakten ur eluttaget). Vid skador på elkabeln eller någon av pumpens elektriska komponenter ska reparationer och byten av delar ombesörjas av tillverkaren eller en auktoriserad serviceverkstad eller av en person med likvärdig behörighet. Detta för att undvika risk för skador.

Problem	Kontroller (eventuella orsaker)	Åtgärd
Pumpen startar inte.	A. Pumpen är utan eltilförsel. B. Backventilen är blockerad i öppet läge. C. Vattenbrist.	A. Kontrollera eltilförseln. B. Rengör backventilen. C. Återställ vattennivån.
Pumpen pumpar inget vatten	A. Suggallret eller rörledningarna är igensatta. B. Pumphjulet är utslitet eller blockerat. C. Krävd uppfordringshöjd är högre än pumpens prestanda.	A. Ta bort hindren. B. Byt ut pumphjulet eller åtgärda blockeringen..
Pumpkapaciteten är otillräcklig	A. Kontrollera att suggallret inte är delvis igensatt. B. Kontrollera att pumphjulet eller tryckröret inte är delvis igensatta eller har fått beläggningar.	A. Ta bort eventuella hinder. B. Ta bort eventuella hinder.
Pumpen stannar (troligen har termosäkring löst ut)	A. Kontrollera att vätskan som pumpas inte är för tjock, eftersom detta leder till överhettning av motorn. B. Kontrollera att vattentemperaturen inte är för hög. C. Kontrollera att pumphjulet inte är blockerat av något föremål. D. Strömförsörjningen överensstämmer inte med värdena på märkplåten.	A.B.C.D. Dra ut stickkontakten ur eluttaget och åtgärda orsaken till överhettningen. Vänta tills pumpen har svalnat och sätt då tillbaka stickkontakten i eluttaget.

12. GARANTI



Alla ej auktoriserade ändringar befriar tillverkaren från allt ansvar. Alla reservdelar som används vid reparationer måste vara original och alla tillbehör måste godkännas av tillverkaren, så att de kan garantera maximal säkerhet för de maskiner och anläggningar där de ska monteras.

Denna produkt täcks av en lagstadgad garanti (i europeiska unionen i 24 månader från inköpsdatumet) avseende samtliga fabrikations- och materialfel.

Produkten som omfattas av garantin kan, på tillverkarens inrådan, antingen bytas ut mot en i perfekt funktionsskick eller repareras gratis om följande villkor är uppfyllda:

- Produkten har använts korrekt och enligt anvisningarna och inga reparationsförsök har utförts av köparen eller tredje man.
- Produkten har lämnats in till inköpsstället tillsammans med dokumentet som bekräftar köpet (faktura eller kvitto) och en kort beskrivning av det påträffade felet.

Rotorn och slidedelarna omfattas inte av garantin. Garantiåtgärder förlänger aldrig i något fall den ursprungliga garantiperioden.

İÇİNDEKİLER

1. UYGULAMALAR.....	105
2. POMPALANABİLİR SIVILAR.....	105
3. TEKNİK VERİLER VE KULLANIM SINIRLANDIRMALARI.....	105
4. İŞLETME	106
4.1 Depolama.....	106
4.2 Nakledilme.....	106
4.3 Ağırlık ve ölçüler.....	106
5. UYARILAR	106
6. KURMA	106
7. ELEKTRİK BAĞLANTISI.....	107
8. ÇALIŞTIRMA.....	107
9. TEDBİRLER	107
10. BAKIM VE TEMİZLİK	107
10.1 Emme filtresinin temizliği.....	108
10.2 Rotorun temizlenmesi.....	108
10.3 Çek valf temizliği.....	108
11. ARIZA TESPİTİ.....	108
12. GARANTİ	108

UYARILAR



Kuruluma başlamadan önce tüm dokümantasyonu dikkatlice okuyunuz:



Herhangi bir işlemten önce fişi çekiniz. Pompanın kuru çalıştırılmasından kesinlikle kaçınılmalıdır



Aşırıyükten koruma. Pompa termik bir motor aşırı yük koruması ile donatılmıştır. Motorun aşırı ısınması durumunda motor aşırı yük koruması otomatik olarak pompayı kapatır. Soğuma süresi yaklaşık 15-20 dakikadır, daha sonra pompa otomatik olarak açılır. Motor aşırı yük korumasının müdahalesinden sonra duruş sebebinin kesinlikle araştırılması ve giderilmesi gerekir. Bakınız Arıza Araştırma.

1. UYGULAMALAR

Elektronik entegreli çok kademeli dalgıç pompa yüksek basınç gerektiren yağmur suyu sistemlerinde ve sulama şebekelerinde depolardan, sarnıçlardan, göletlerden su pompalamak ve diğer evsel uygulamalarda kullanım için idealdir. Kompakt ve kullanışlı şekli sayesinde depolardan veya nehirlerden su çekilmesi, havuz ve fiskiyeli havuzların boşaltılması gibi acil durumlarda taşınabilir pompa olarak da uygulama alanı bulmaktadır. Her türlü bahçe ve hobi işleri için de uygundur.



Bu pompalar, konuya ilişkin yürürlükte bulunan kaza önleme yönetmeliklerine göre havuzlarda, durgun sulara, içinde insan bulunan su havzalarında veya hidrokarbonların (benzin, gaz yağı, mazot, eritici sıvılar) pompalanması için kullanılamaz. Yerleştirilmeden önce temizlik prosedürü öngörmek iyi bir kural olacaktır. “Bakım ve Temizlik” bölümüne bakınız.

2. POMPALANABİLİR SIVILAR

Tatlı sular	•
Yağmur suyu	•
Berrak atık sular	○
Pis sular	○
Çeşme suyu	•
Nehir veya göl suları	•
Maks. partikül ebatı [mm]	Ø 1

Tablo 1

- Uygun
- Uygun değil

3. TEKNİK VERİLER VE KULLANIM SINIRLANDIRMALARI

- Besleme gerilimi: 220-240V, elektrik verileri etiketine bakınız
- Geciktirilmiş hat sigortaları (versiyon 220-240V): Takribi değerler (Amper)
- Depolama sıcaklığı: -10°C +40°C

Model	220-240V 50Hz hat sigortaları
P1=900	4
P1=1100	5

Tablo 2

TÜRKÇE

	Model	P1=900	P1=1100
Elektrik verileri	P1 Nominal Çekilen güç [W]	900	1100
	P2 [W]	650	750
	Şebeke voltajı [V]	220-240 AC	220-240 AC
	Şebeke frekansı [Hz]	50	50
	Akım [A]	3.8	4.8
	Kondansatör [µF]	12.5	12.5
	Kondansatör [Vc]	450	450
	Hidrolik veriler	Maks. kapasite [l/dak]	95
Maks. basma yüksekliği [m]		36	46
Maks. basma basıncı [bar]		3.6	4.6
Maks. dalma derinliği [m]		12	12
Minimum dalma yüksekliği [cm]		12	12
Açılma basıncı [bar]		2.6+- 0.2	2.6+- 0.2
Kullanım alanı	Besleme kablosu uzunluğu [m]	15	15
	Kablo tipi	H07 RNF	H07 RNF
	Motor koruma derecesi	IP 68	IP 68
	İzolasyon sınıfı	B	B
	Sıvı sıcaklık aralığı [°C] Evde kullanım için EN 60335-2-41 standardına	0 °C / +35 °C	0 °C / +35 °C
	Maks. partikül ebatı [mm]	Ø 1	Ø 1
	Maks. Ortam sıcaklığı [°C]	+40 °C	+40 °C
	Ağırlık	DNM GAS	1" F
Net/Brüt ağırlık yaklaşık [kg]		10.8/12.8	10 / 12

Tabella 3



Bir taban üzerine yaslanmayan pompa borularının ağırlığını taşıyamaz; bundan dolayı boruların ağırlığının farklı şekilde desteklenmesi gerekir.

4. İŞLETME

4.1 Depolama

Tüm pompalar kapalı, kuru ve hava nemi mümkün olduğunca sabit olan, titreşim ve toz bulundurmeyen mekânlarda depolanmalıdır. Kurulma anına kadar içinde kalmaları gereken orijinal ambalajları içinde teslim edilirler.

4.2 Nakledilme

Ürünlerin gereksiz darbe ve çarpışmalara maruz kalmasından kaçınınız.

4.3 Ağırlık ve ölçüler

Ambalaj üzerindeki yapışkan etikette elektro pompanın toplam ağırlığı ve ebatları yer almaktadır.

5. UYARILAR



Pompalar kesinlikle besleme kablosu kullanılarak asılı halde taşınmamalı, kaldırılmamalı veya çalıştırılmamalıdır; tedarik ile birlikte verilen hususi kolu ve halatı kullanınız.

- Pompa asla kuru çalıştırılmamalıdır. • İmalatçı Firma, pompanın kurcalanmış veya tadil.
- Sızdırmazlık salmastrasında zehirli olmayan yağlayıcı bulu-nur ancak bu, suyun saf su olması halinde, pompada kaçak meydana gelirse, suyun özelliklerinde değişikliğe neden ola-bilir.

6. KURMA

¾" ve 1" ölçülerindeki borular için uygun ambalaj içinde bulunan bağlantı elemanı ile nipeli vidalayınız, daha büyük çapta bir boru kullanılması gerektiğinde rekoru değiştiriniz. Ayrıca, hortumu bağlantı elemanına sabitlemek için hortum bağlama kelepçesi kullanınız. Fig.1

- Pompa performansının düşmesini önlemek için iç çapı en az ¾" mm ölçüsünde olan boru kullanılması tavsiye edilir.
- Emme haznelerinin tıkanmasını önlemek için periyodik olarak toplama sarnıcında pislik birikimi (yaprak, kum, vb.) olup olmadığının kontrol edilmesi tavsiye edilir. Emme ızgarasının tıkanmasını önlemek amacıyla en az 20 cm'lik mesafenin öngörülmesi uygun olacaktır (Şek. 2).
- Besleme kablosunun fişini 230 V'luk bir prize takınız.
- Pompa yalnızca suya daldırılmış ise çalıştırılabilir. En az 12 cm'lik bir dalma göz önünde bulundurunuz. Eğer su biterse fiş elektrik prizinden çıkarılarak pompa hemen durdurulmalıdır.
- Pompa, toplama sarnıcının içinde veya her halükarda kurulum yerinin en alt noktasında sabit bir pozisyona yerleştirilmiş olmalıdır.

TÜRKÇE

- Pompanın yerleştirileceği toplama sarnıcının ebatlarının minimum aşağıdaki değerlerde olmasını sağlayınız:
Temel boyutlar minimum (mm) 150x150 / Yükseklik minimum (mm) 800 Fig 2
- Sarnıç, motoru aşırı çalıştırma/uzun saatlere maruz bırakmayacak şekilde gelen su miktarına ve pompa kapasitesi ile ilgili olarak da ebatlandırılmış olmalıdır. Kesinlikle 20 çalıştırma/saatin aşılması tavsiye edilir.



Pompa dikey pozisyonda kurulmalıdır!

7. ELEKTRİK BAĞLANTISI



Pompanın üzerinde mevcut olan besleme kablo-sunun uzunluğu, pompanın kullanımında maksimum dalma derinliğini sınırlandırır. Teknik etikette ve bu kılavuzdaki Tablo 3'de yer alan gösterge değerlerine uyunuz.

8. ÇALIŞTIRMA

Elektronik aksam, kullanıcının su talebine göre pompanın açılmasını ve kapanmasını (ON/OFF) otomatik olarak kumanda eder.

Elektronik aksam, kuru çalışmalardan gelen uygulamaları korur.

- Kendinden emiş aşaması: Kendinden emiş aşamasında pompa 3"lik duruş aralıkları ile 30"lik dört deneme yapar (motor OFF). Su olmaması durumunda pompa bir saat durur ve daha sonra yeni bir kendinden emiş denemesi yapar. Bu deneme de başarılı olmaz ise bekleme süresi 5 saate çıkar, bu durumda uygulama su seviyesi pompanın normal çalışmasına olanak sağlayacak şekilde yeterli seviyeye gelinceye kadar her 24 saatte bir kendinden emiş denemesini tekrar eder.
- Normal Çalışma: Çalışma esnasında su tüketimi 40" kadar minimum kapasitesinin altında ise pompa alarma geçer ve 1 saat durur. Daha sonra su seviyesi yetersiz ise pompa kendinden emiş aşamasına girer.

Elektronik aksam pompayı genelde pislik veya kum birikiminden kaynaklanan Çek Valf (NRV) arızalarından korur. Bu birikintiler Çek Valfin kapanmasını engeller ve su olmasa dahi uygulama çalışmaya devam eder. Bizim pompalarımızda pompa her saatte durur; herşey normale, kullanıcı sadece birkaç saniye süren hafif bir basınç düşüklüğü gözlemler. Eğer çek valf kilitlenmiş ise pompa alarma geçer ve sadece tıkanma nedenleri ortadan kaldırıldıktan sonra tekrar çalıştırılabilir.

Kapasite kontrolü:

Kapasite kontrolü, su çekme olmadığında pompayı devre dışı bırakır. Basma tarafında (örn. su musluğu veya sızdırmazlığı olmayan fleksi hortum) kaçak devam ediyorsa pompa kısa aralıklarla açılır ve kapanır. Eğer pompa 2 dakika içinde 7 defadan fazla açılıp kapanıyorsa (< 6 l /h kaçak olması durumunda) pompa tamamen kapanır. Basma tarafındaki kaçak giderildikten sonra yeniden kullanabilmesi mümkün oluncaya kadar pompayı devreden çıkarınız ve tekrar devreye alınız.

İdeal çalışma durumu pompa tamamen daldırılmış halde ikendir; ancak motor soğutma sistemi kısa sürelerle minimum emiş yüksekliğine (50mm) kadar kullanıma izin verir.

Pompa, paslanmaz çelikten pislik önleme filtresi ile donatılmıştır.

9. TEDBİRLER

DONMA TEHLİKESİ: Pompa 0°C derece altında sıcaklıklarda çalışmadan kaldığında, donduklarında plastik kısımlarının çatlamasına sebep olabilecek su artıklarının bulunmadığının kontrol edilmesi zorunludur.

Pompanın birikme eğilimi gösteren maddelerle kullanılmış olması halinde, pompanın özelliklerini azaltma eğilimi gösteren birikintilerin veya tufalların oluşmasını önlemek üzere kullanımdan sonra pompayı kuvvetli bir su jeti ile durulayınız.

10. BAKIM VE TEMİZLİK

Normal işlemede elektro pompanın herhangi bir tip bakıma ihtiyacı yoktur. Her halükarda tüm onarım ve bakım müdahaleleri sadece pompanın besleme şebekesi ile bağlantısı kesildikten sonra yapılmalıdır. Pompa yeniden harekete geçirildiğinde, hareket halinde olan kısımlarla tesadüfî bir temas imkânı oluşturulmaması veya tehlike yaratmaması için daima emiş filtresinin monte edilmiş olduğukontrol edilerek emin olunmalıdır.

TÜRKÇE

10.1 Emme filtresinin temizliği

- Pompanın elektrik beslemesini devreden çıkarınız.
- Pompanın drenajını yaptırınız.
- Su püskürterek ve bir fırça yardımıyla temizleyiniz.

10.2 Rotorun temizlenmesi

- Pompanın elektrik beslemesini devreden çıkarınız.
- Pompanın drenajını yaptırınız.
- Filtre gövdesindeki 8 sabitleme vidasını sökünüz şek.3.
- Filtreyi ve gövdesini çıkarınız şek.4
- Çarkı tutarak somunu sökünüz şek.5
- Çarkı, difüzörü, halkayı ve o-ring'i çıkarınız.
- Tüm çarklar için işlemi tekrarlayınız.
- Pompayı, motor ve pompa gömleği arasındaki olası kirleri gidermek için temiz suyla yıkayınız.
- Rotoru temizleyiniz.
- Rotorun serbest şekilde dönebildiğini kontrol ediniz.
- Parçaları sökme sırasına göre ters sırayla işlem görerek ye-niden birleştiriniz.

10.3 Çek valf temizliği

(Fig.6)

- Pompanın elektrik beslemesini devreden çıkarınız.
 - İki sabitleme vidasını sökerek kolu çıkarınız şek. 6
 - Besleme kapağındaki 6 vidayı sökünüz şek.7
 - Besleme kapağını ve kuma karşı koruma filtresini çıkarınız şek.8
 - Çekvalfi çıkarınız ve pislik varsa temizleyiniz şek.9
- Parçaları sökme işlemini ters sırayla izleyerek tekrar yerine monte ediniz.

11. ARIZA TESPİTİ



Arızanın araştırmasına başlamadan önce pompanın elektrik bağlantısının kesilmesi gerekir (fişi prizden çekiniz). Besleme kablosu veya pompanın herhangi bir elektrik aksamı zarar görmüş ise onarım veya parça değiştirme işlemi imalatçı veya imalatçının teknik servisi veya her türlü riski önleyecek şekilde bilgi donanımına sahip kalifiye kişiler tarafından yapılmalıdır.

Arıza	Nedenleri	Çözüm
Pompa açılmıyor	A. Pompa beslemesi yok B. VNR açık pozisyonda bloke C. Su yok	A. Beslemeyi kontrol ediniz. B. VNR'yi temizleyiniz. C. Su seviyesini normal hale getiriniz.
Pompa su dağıtmıyor	A. Emme ızgarası veya borular tıkalı. B. Çark aşınmış veya bloke olmuş. C. İstenen basma yüksekliği pompanın özelliklerinin üzerinde.	A. Tıkanıklığı açınız. B. Çarkı değiştiriniz veya çarkın serbest kalmasını sağlayınız.
Kapasite yetersiz.	A. Emme ızgarası kısmi olarak tıkanmış. B. Çark veya besleme hortumu kısmen tıkanmış veya birikinti var.	A. Varsa tıkanıklıkları açınız. B. Varsa tıkanıklıkları açınız.
Pompa duruyor (olası emniyet termik şalter müdahalesi).	A. Pompalanacak sıvı çok fazla yoğun ve motor aşırı ısınıyor. B. Su sıcaklığı çok yüksek. C. Katı bir cisim çarkı bloke ediyor. D. Besleme etiket bilgilerine uygun değil.	A.B.C.D. Fişi çıkarınız ve aşırı ısınmaya yol açan nedeni ortadan kaldırınız, pompanın soğumasını bekleyiniz ve fişi tekrar takınız.

12. GARANTİ



Önceden izin verilmemiş olan her türlü değişiklik, üreticiyi her tür sorumluluktan muaf kılar. Onarımlarda kullanılan tüm yedek parçaların orijinal olması gerekir ve tüm akse-suarlar, üzerlerine takılabilecekleri makinelerin ve tesisle-rin maksimum güvenliğini garanti edebilecek şekilde üre-tici tarafından onaylanmış olmalıdır.

Bu ürün, fabrikasyon hatası veya kullanılan malzemenin kusurlu olmasına karşı yasal garanti (Avrupa Birliğinde satın alınmasından itibaren 24 ay) kapsamındadır. Garanti kapsamındaki ürün aşağıdaki koşulları karşılaması durumunda takdire göre mükemmel durumdaki yeni bir ürün ile değiştirilebilir veya ücretsiz olarak onarımı sağlanabilir:

- ürün doğru ve talimatlara uygun bir şekilde çalıştırılmış olmalıdır ve satın alan kişiler veya üçüncü şahıslar tarafından tamir edilmeye çalışılmamış olmalıdır.
- Ürün, satın alındığını kanıtlayan belge (fatura veya resmi fiş) eklenerek ve karşılaşılan sorunun kısa bir açıklaması ile birlikte satış noktasına teslim edilmelidir.

Çark ve aşınmaya maruz parçalar garanti kapsamında değildir. Garanti kapsamında yapılan herhangi bir müdahale garanti süresini uzatmaz.

ЗМІСТ

1. ПРИЗНАЧЕННЯ.....	109
2. ТИП РІДИНИ ДЛЯ ПЕРЕКАЧУВАННЯ	109
3. ТЕХНІЧНІ ХАРАКТЕРИСТИКИ ТА ЕКСПЛУАТАЦІЙНІ ОБМЕЖЕННЯ.....	109
4. ПРИЙНЯТТЯ ТА ЗБЕРІГАННЯ	110
4.1 Прийняття на зберігання.....	110
4.2 Транспортування.....	110
4.3 Вага та розміри.....	110
5. ЗАСТЕРЕЖЕННЯ	110
6. УСТАНОВКА	110
7. ЕЛЕКТРИЧНЕ ПІДКЛЮЧЕННЯ	111
8. ПОЧАТОК РОБОТИ.....	111
9. ЗАСТЕРЕЖНІ ЗАХОДИ.....	111
10. ДОГЛЯД ТА ТЕХНІЧНЕ ОБСЛУГОВУВАННЯ.....	111
10.1 Чистка всмоктувального фільтра	112
10.2 Чистка робочого колеса	112
10.3 Чистка НПК.....	112
11. ПОШУК	112
12. ГАРАНТІЯ.....	112

AVVERTENZE



Перед початком установки уважно ознайомитися з усією документацією:



Перед початком будь-яких робіт з обслуговування витягти вилку з розетки. Категорично забороняється робота "всуху".



Захист від перевантаження. Насос устаткований аварійним тепло-вимикачем двигуна. У випадку перегрівання двигуна аварійний вимикач автоматично вимикає насос. Для охолодження двигуна необхідно приблизно 15-20 хв., після чого насос знову вмикається автоматично. Після активації аварійного вимикача необхідно обов'язково виявити та усунути її причину. Див. "Пошук неполадок".

1. ПРИЗНАЧЕННЯ

Занурюваний багатоступінчатий насос з інтегрованим електронним обладнанням ідеально підходить для застосування в системах для відведення дощової води, зрошувальних мережах, для перекачування води з резервуарів, цистерн, озер, а також для інших побутових потреб, де вимагається підвищений тиск.

Завдяки компактній, зручній для переміщення формі ці насоси застосовуються для різних призначень, в тому числі і як аварійні портативні насоси для викачування води з резервуарів або водоймищ, випорожнення басейнів та колодязів. Підходить також для садово-городніх робіт та робіт для дозвілля в цілому.



Ці насоси не можна використовувати в басейнах, ставках, водоймищах у присутності людей, а також для перекачування паливних та горючих матеріалів (бензину, дизельного палива, горючих масел, розчинників та ін.) згідно відповідних норм з техніки безпеки чинного законодавства. Після їх використання, перед тим, як покласти їх на зберігання, рекомендується провести ретельний огляд та чистку. Див. розділ "Догляд та технічне обслуговування".

2. ТИП РІДИНИ ДЛЯ ПЕРЕКАЧУВАННЯ

Чиста вода	•
Дощова вода	•
Очищена стічна вода	○
Брудна вода	○
Колодязна вода	•
Вода з річки або озера	•
Максим. розмір домішок [мм]	Ø 1

Таблиця 1

- Призначений
- Не призначений

3. ТЕХНІЧНІ ХАРАКТЕРИСТИКИ ТА ЕКСПЛУАТАЦІЙНІ ОБМЕЖЕННЯ

- Напряга живлення: 220-240В, див. паспортну табличку
- Лінійні запобіжники з затримкою дії (версія 220-240В): індикативні значення (Ампер)

Модель	Лінійні плавкі запобіжники 220-240В 50 Гц
P1=900	4
P1=1100	5

Таблиця 2

УКРАЇНСЬКА

- Температура зберігання: від -10 °C до +40 °C

	Модель	P1=900	P1=1100
Електричні характеристики	P1 Номінальна споживана потужність [Вт]	900	1100
	P2 [Вт]	650	750
	Напруга мережі [В]	220-240 AC	220-240 AC
	Частота мережі [Гц]	50	50
	Струм [А]	3.8	4.8
	Конденсатор [μ F]	12.5	12.5
	Конденсатор [Vc]	450	450
Гідравлічні характеристики	Максим. продуктивність [л/хв.]	95	95
	Максим. висота напору [м]	36	46
	Максим. висота напору [бар]	3.6	4.6
	Максим. глибина занурення [м]	12	12
	Мінім. глибина занурення [см]	12	12
	Тиск при вмиканні [бар]	2.6+ 0.2	2.6+ 0.2
Сфера застосування	Довжина кабелю живлення [м]	15	15
	Тип кабелю	H07 RNF	H07 RNF
	Ступінь захисту	IP 68	IP 68
	Клас ізоляції	B	B
	Діапазон температури рідини [°C] згідно EN 60335-2-41 для побутового застосування	0 °C / +35 °C	0 °C / +35 °C
	Максим. розмір діаметра [мм]	Ø 1	Ø 1
	Максим. температура середовища [°C]	+40 °C	+40 °C
Вага	DNM GAS	1" F	1" F
	Вага, нетто/брутто, прибл. [кг]	10.8/12.8	10 / 12

Таблиця 3



Для утримання ваги всіх трубопроводів насос слід встановити на відповідну основу або забезпечити утримання трубопроводів іншим способом.

4. ПРИЙНЯТТЯ ТА ЗБЕРІГАННЯ

4.1 Прийняття на зберігання

Всі насоси слід зберігати в сухому закритому приміщенні, зі сталим рівнем вологості, без вібрацій та пилу. Насоси поставляються у відповідній упаковці, в якій їх слід зберігати до моменту установки.

4.2 Транспортування

Берегти від ударів та зіткнень.

4.3 Вага та розміри

На упаковку наноситься клейка табличка, на якій вказані загальна вага насоса та його розміри.

5. ЗАСТЕРЕЖЕННЯ



Забороняється перевозити, переміщувати, піднімати або експлуатувати насоси у підвішеному стані, використовуючи для цих дій кабель живлення; користуватися для цього відповідною ручкою.

- Забороняється робота насоса "всуху".
- Ущільнювальний пристрій містить нетоксичний мастильний матеріал, що у випадку витіку з насоса може привести до зміни характеристик води, якщо мова йде про чисту воду.

6. УСТАНОВКА

Встановити ніпель з кріпленням, що надається в комплекті, який за розміром відповідає трубам 3/4" та 1"; у випадку використання трубопроводів більшого діаметру слід замінити кріплення. Для того, щоб закріпити трубу на патрубку, скористатися затискним хомутиком. Мал. 1

- Для забезпечення ефективної експлуатації насоса та недопущення забивання рекомендується використовувати трубопроводи з внутрішнім діаметром не менше 3/4" мм.
- Для запобігання забиванню та засмічуванню всмоктувальних каналів рекомендується час від часу перевіряти, щоб у забірній цистерні не накопичувався бруд (листя, пісок і т.п.). Краще передбачити мінімальну відстань у 20 см, щоб запобігти забиванню та засмічуванню всмоктувальної решітки (Мал. 2).
- Вставити вилку кабелю живлення в розетку мережі живлення з напругою 230 В.

- Можна вмикати насос лише у тому разі, коли він занурений у воду. Мінімальна глибина занурення складає 12 см. Якщо води більше немає, насос слід негайно вимкнути і від'єднати вилку від мережі електричного живлення.
- Насос слід встановлювати в стабільному положенні всередині забірної цистерни або в найнижчій точці приміщення установки.
- Мінімальні розміри забірної цистерни:
Мінім. розміри опорної основи 150x150 мм / Мінім. висота 800 мм Мал. 2
- Розміри цистерни повинні також відповідати кількості води, що подається, та подачі самого насосу, щоб не допустити надмірної кількості запусків двигуна за годину; настійно рекомендується не перевищувати 20 запусків/годину.



Насос слід встановлювати у вертикальному положенні!

7. ЕЛЕКТРИЧНЕ ПІДКЛЮЧЕННЯ



Довжина кабелю живлення насосу обмежує максимальну глибину занурення при використанні самого насоса. Дотримуватися вказівок, зазначених на паспортній заводській табличці та в таблиці 3 даного технічного посібника.

8. ПОЧАТОК РОБОТИ

Електронне устаткування здійснює автоматичне управління вмиканням та вимиканням (ON/OFF) насосу в залежності від запиту на воду з боку користувача.

Електронне устаткування захищає виріб від роботи "всуху".

- Фаза наповнювання: у фазі наповнювання насос здійснює чотири спроби по 30 сек. (двигун ВВМКН/ON) з інтервалом між спробами в 3 сек. (двигун ВВМКН/OFF). У разі відсутності води насос вимикається на одну годину, а потім здійснює нову спробу наповнювання. У випадку невдалої спроби наступна пауза складатиме вже 5 годин; далі пристрій буде здійснювати спробу наповнювання через кожні 24 години до тих пір, доки рівень води не забезпечить його нормальної роботи.
- Нормальна робота: якщо під час нормальної роботи на протязі 40 секунд рівень споживання води нижче мінімальної подачі, насос переходить в стан тривоги і вимикається на 1 годину. Після цього, якщо рівень води все ще є недостатнім, насос переходить у фазу наповнювання.

Електронне устаткування дозволяє захистити насос від пошкодження неповоротного клапану (НПК/NRV), причиною якого, як правило, є засмічування та забивання піском. Засмічування та забивання перешкоджають закриванню НПК, а тому пристрій продовжує працювати навіть у разі відсутності води. В нашому випадку насос вимикається автоматично кожної години; при нормальній роботі користувач помічає лише незначне падіння тиску на протязі кількох секунд. В разі блокування НПК насос переходить в стан тривоги, а його подальший запуск можливий лише після усунення причин блокування.

Контроль подачі:

Контроль подачі вимикає насос у разі відсутності забору води. У випадку витоків з боку тиску (напр., розгерметизація крану води або гнучкого шлангу), насос вмикається і вимикається через короткі проміжки часу. Після того, як насос увімкнеться та вимкнеться більше 7 разів за 2 хвилини (у разі витoku < 6 л/год.), він вимкнеться остаточно. Необхідно усунути витік з боку тиску, вимкнути та знову увімкнути насос для подальшої роботи.

Ідеальною умовою для роботи насоса є його повне занурення; та все ж система охолодження двигуна дозволяє використовувати його на мінімальній глибині всмоктування (50 мм) на протязі коротких проміжків часу.

Насос устаткований фільтром проти засмічування з нержавіючої сталі.

9. ЗАСТЕРЕЖНІ ЗАХОДИ

РИЗИК ЗАМЕРЗАННЯ: якщо насос залишається в неробочому стані при температурі нижче 0 °С, слід переконатися в тому, що в ньому немає залишку води, що при замерзанні може пошкодити пластмасові частини насоса. Після використання насосу для відведення речовин, які схильні до накопичень та відкладень, або після перекачування хлорованої води його слід промити чистою водою; для промивання скористатися сильним струменем води, щоб запобігти утворенню відкладень, що можуть негативно вплинути на експлуатаційні характеристики насосу.

10. ДОГЛЯД ТА ТЕХНІЧНЕ ОБСЛУГОВУВАННЯ

L'elettropompa nel funzionamento normale non richiede alcun tipo di manutenzione. In ogni caso tutti gli interventi di riparazione e manutenzione si devono effettuare solo dopo aver scollegato la pompa dalla rete di alimentazione. Quando si fa ripartire la pompa, assicurarsi che sia sempre montato il filtro di aspirazione in modo da non creare pericolo o possibilità di contatto casuale con le parti in movimento.

10.1 Чистка всмоктувального фільтра

- Відключити насос від мережі електричного живлення.
- Провести дренаж насосу.
- Почистити за допомогою струменю води та щітки.

10.2 Чистка робочого колеса

- Відключити насос від мережі електричного живлення.
- Провести дренаж насосу
- Відкрутити 8 кріпильних гвинтів на основі фільтра, мал. 3.
- Зняти основу та фільтр, мал. 4.
- Притримуючи робоче колесо, відкрутити гайку, мал. 5.
- Вийняти робоче колесо, дифузор, кільце та кільцеве ущільнювання.
- Повторити цю операцію на всіх робочих колесах.
- Промити насос чистою водою, щоб видалити можливі забруднення між двигуном та оболонкою насосу.
- Почистити робоче колесо.
- Перевірити, щоб робоче колесо могло вільно рухатися.
- Виконати монтаж у зворотньому порядку.

10.3 Чистка НПК

(Мал. 6)

- Відключити насос від мережі електричного живлення.
- Зняти ручку, для цього відкрутити два кріпильних гвинти, мал. 6.
- Відкрутити 6 гвинтів на кришці подачі, мал. 7.
- Зняти кришку подачі та фільтр, мал. 8.
- Зняти запірний клапан та почистити його, мал. 9. Виконати монтаж у зворотньому порядку.

11. ПОШУК



Перед тим, як розпочинати пошук неполадок, необхідно від'єднати насос від джерел електричного живлення (витягти вилку з розетки). Якщо кабель живлення або насос в будь-якій його електричній частині пошкоджені, ремонт та заміну повинен здійснювати виробник або уповноважений ним центр технічних послуг, або технічний спеціаліст з відповідною кваліфікацією, що дозволяє запобігти будь-якому ризику.

Неполадки	Причини	Способи усунення
Насос не вмикається	A. Відсутня подача живлення на насос B. НПК заблокований у відкритому положенні C. Відсутність води	A. Перевірити подачу живлення B. Почистити НПК C. Відновити рівень води
Насос не подає воду	A. Забиті всмоктувальна решітка або труби. B. Робоче колесо спрацьоване або заблоковане. C. Запитна висота подачі перевищує передбачену технічними характеристиками насосу	A. Усунути забивання та засмічування B. Замінити робоче колесо або усунути блокування.
Недостатня подача	A. Всмоктувальна решітка частково забита або засмічена. B. Перевірити, щоб робоче колесо або труба подачі не були частково забиті або засмічені.	A. Усунути можливі забивання. B. Усунути можливі забивання.
Насос зупиняється (можливе вмикання запобіжного теплового вимикача).	A. Перекачувана рідина надто густа, що призводить до перегрівання двигуна. B. Надто висока температура води. C. Якийсь твердий об'єкт блокує робоче колесо. D. Технічні характеристики мережі живлення не відповідають зазначеним на заводській паспортній табличці.	A.Б.В.Г. Витягти вилку з розетки, усунути причину перегрівання, почекаєти, поки насос не вихолоне, знову вставити вилку в розетку.

12. ГАРАНТІЯ



Будь-які модифікації, що не були попередньо узгоджені з виробником, звільняють виробника від будь-якої відповідальності. Всі запасні частини для ремонту повинні бути оригінальними частинами від виробника пристрою, а всі аксесуари слід узгодити з виробником, щоб гарантувати максимальну безпеку експлуатації того обладнання та пристроїв, на які вони встановлюються

Даний виріб покритий юридичною гарантією (на території Європейського Союзу на протязі 24 місяців з дати купівлі) відносно всіх дефектів, викликаних вадами виробництва або дефектами використаних матеріалів. Виріб на гарантії за рішенням виробника підлягає або заміні на інший, у відмінному робочому стані, або безкоштовному ремонту; при цьому повинні дотримуватися наступні умови:

- експлуатація виробу проводилася вірно, у відповідності до наданих інструкцій, покупець або треті особи не намагалися відремонтувати його власними силами.
- виріб доставлений в пункт продажу разом з документацією, що підтверджує його купівлю (рахунок або чек), та коротким описанням виявленої проблеми.

Робоче колесо та інші частини, що підлягають нормальному спрацюванню, не покриваються гарантією. Операції з гарантійного обслуговування ні в якому разі не призводять до подовження початкового терміну гарантії.

